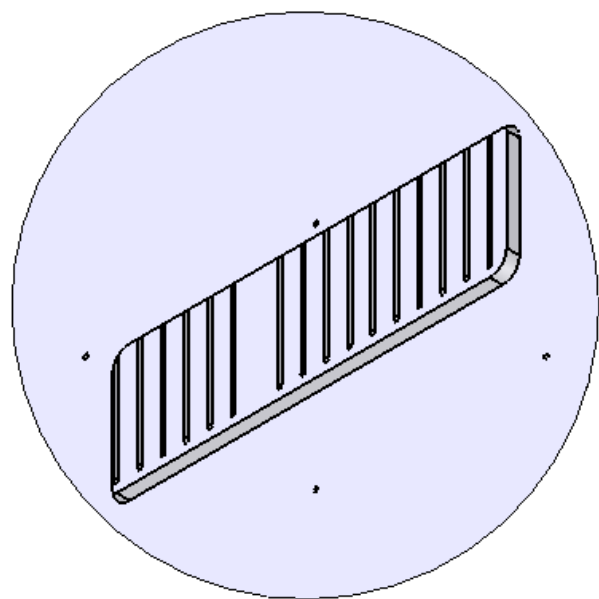
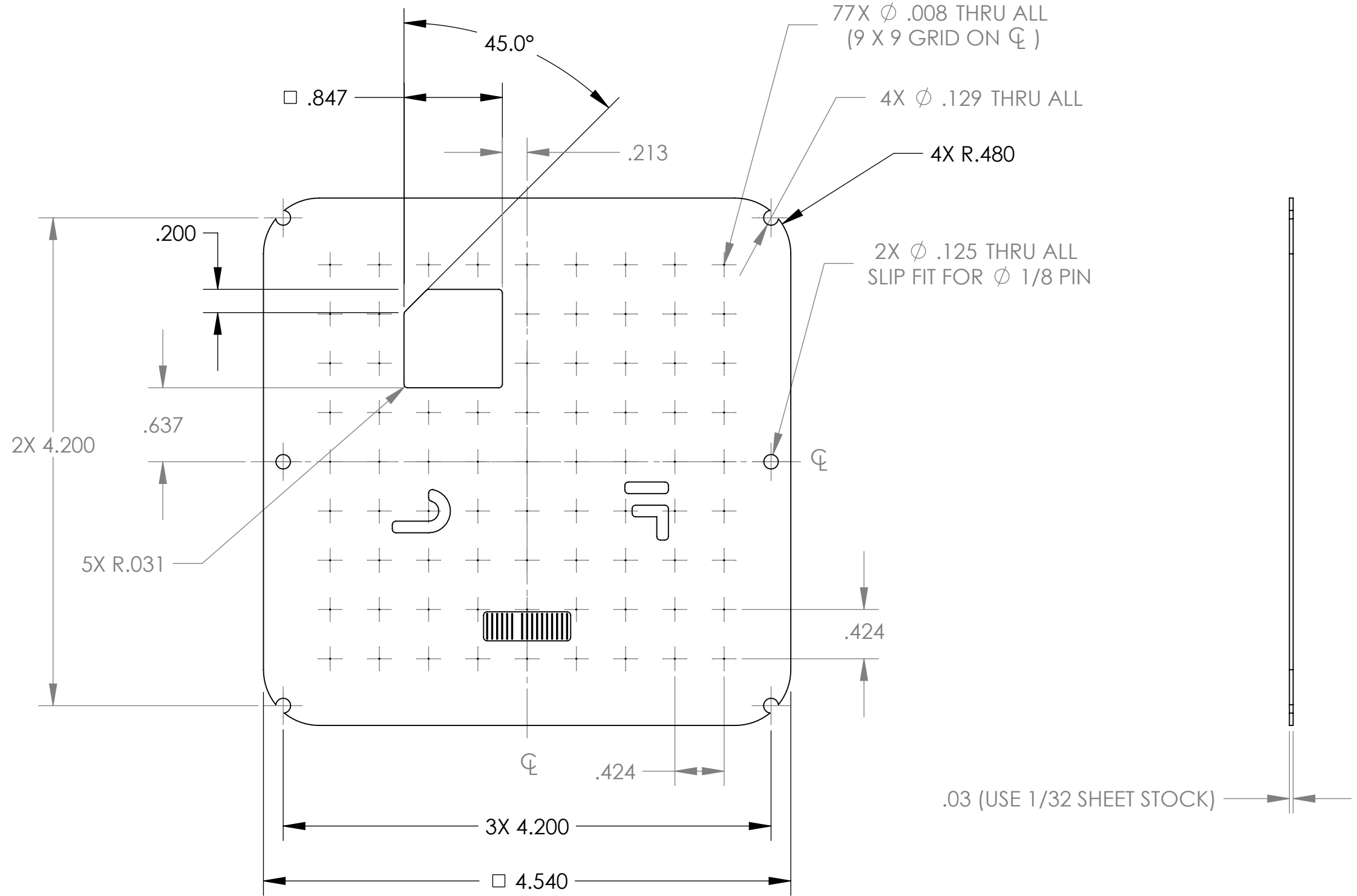
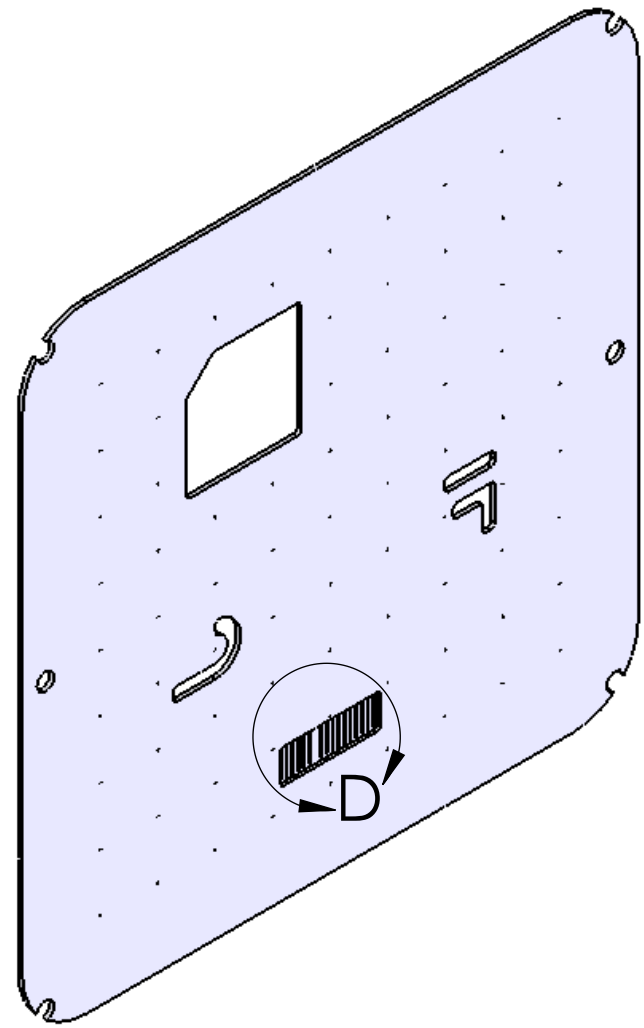


REVISIONS				
ZONE	REV.	DESCRIPTION	DATE	APPROVED
	0	INITIAL RELEASE.	07/10/07	JDA

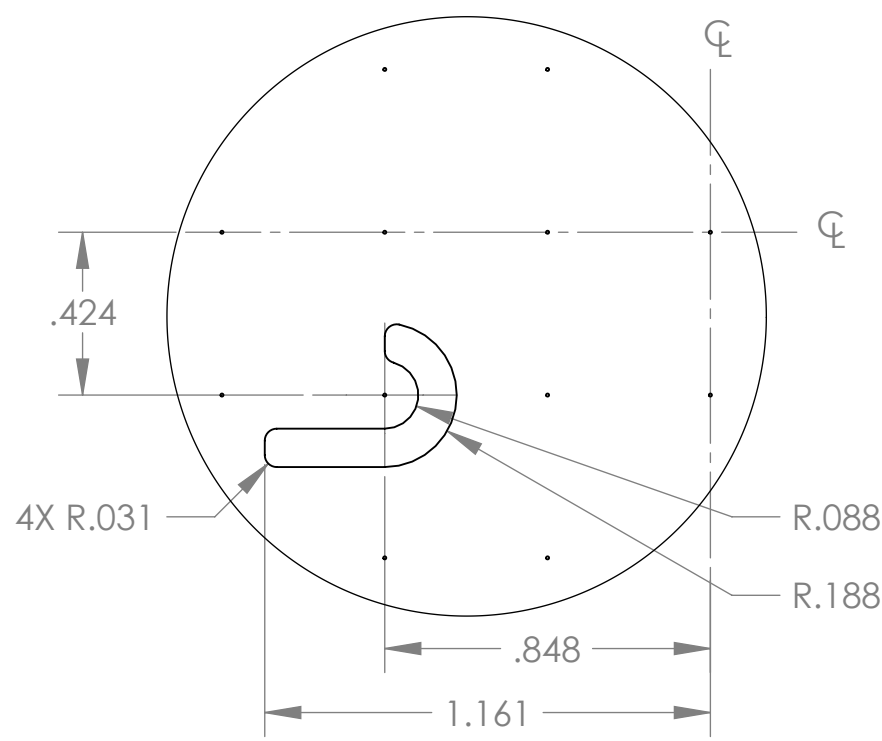


DETAIL D
SCALE 4 : 1

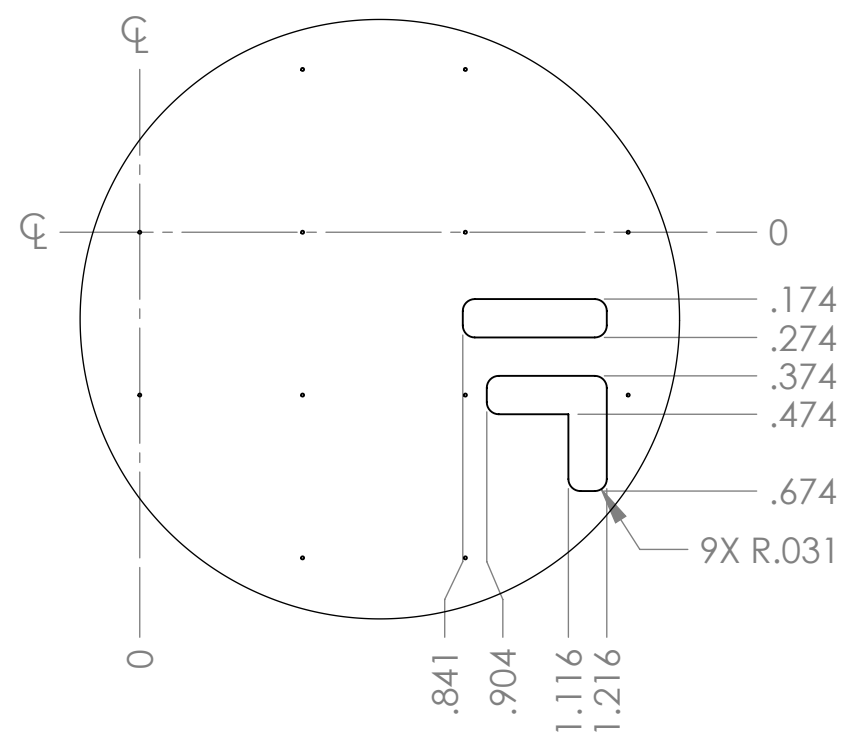
UNLESS OTHERWISE SPECIFIED DIMENSIONS ARE IN INCHES, REMOVE BURRS AND BREAK SHARP EDGES 0.005-0.010
 TOLERANCES: .XX±.010 .XXX±.001
 ANGLES ±0.5° UNLESS NOTED, ALL SURFACES 64 UNLESS NOTED
 MATERIAL: 6061-T6 ALUM
 QTY: 1

NAME:		INIT.	DATE:	TITLE:
DRAWN:		SCP	07/10/07	FIELD STOP MASK
CHECKED:		JDA	07/10/07	SIZE: B
APPROVED:				DRAWING #
FABRICATED:				REV 0
FILE: Field Stop Mask				SCALE: 1:1

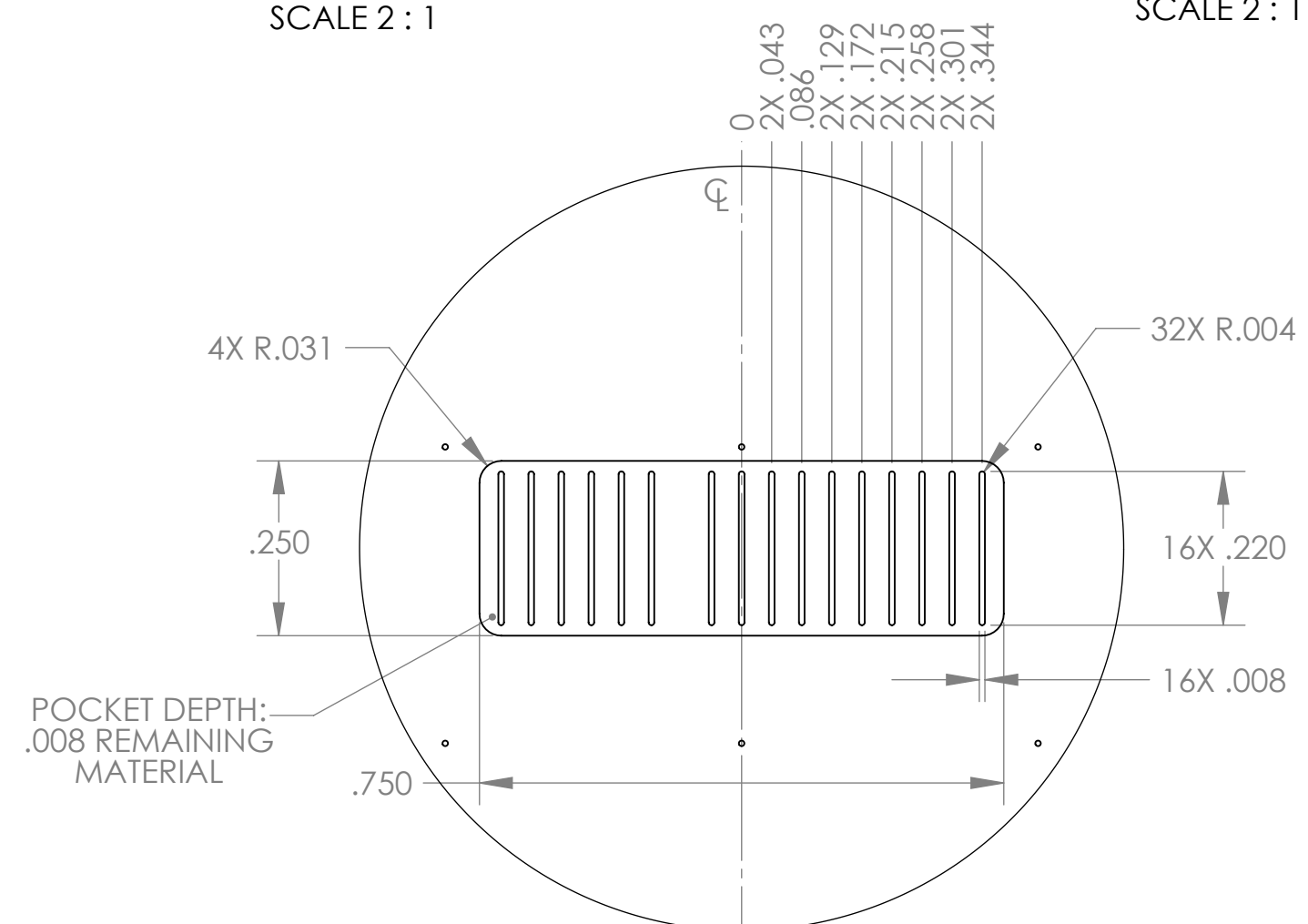
TRIPLESPEC Cornell University
 Center for Radiophysics and Space Research - Ithaca, NY 14853
 DATE: 7/10/2007 SHEET 1 OF 2



DETAIL A
SCALE 2 : 1

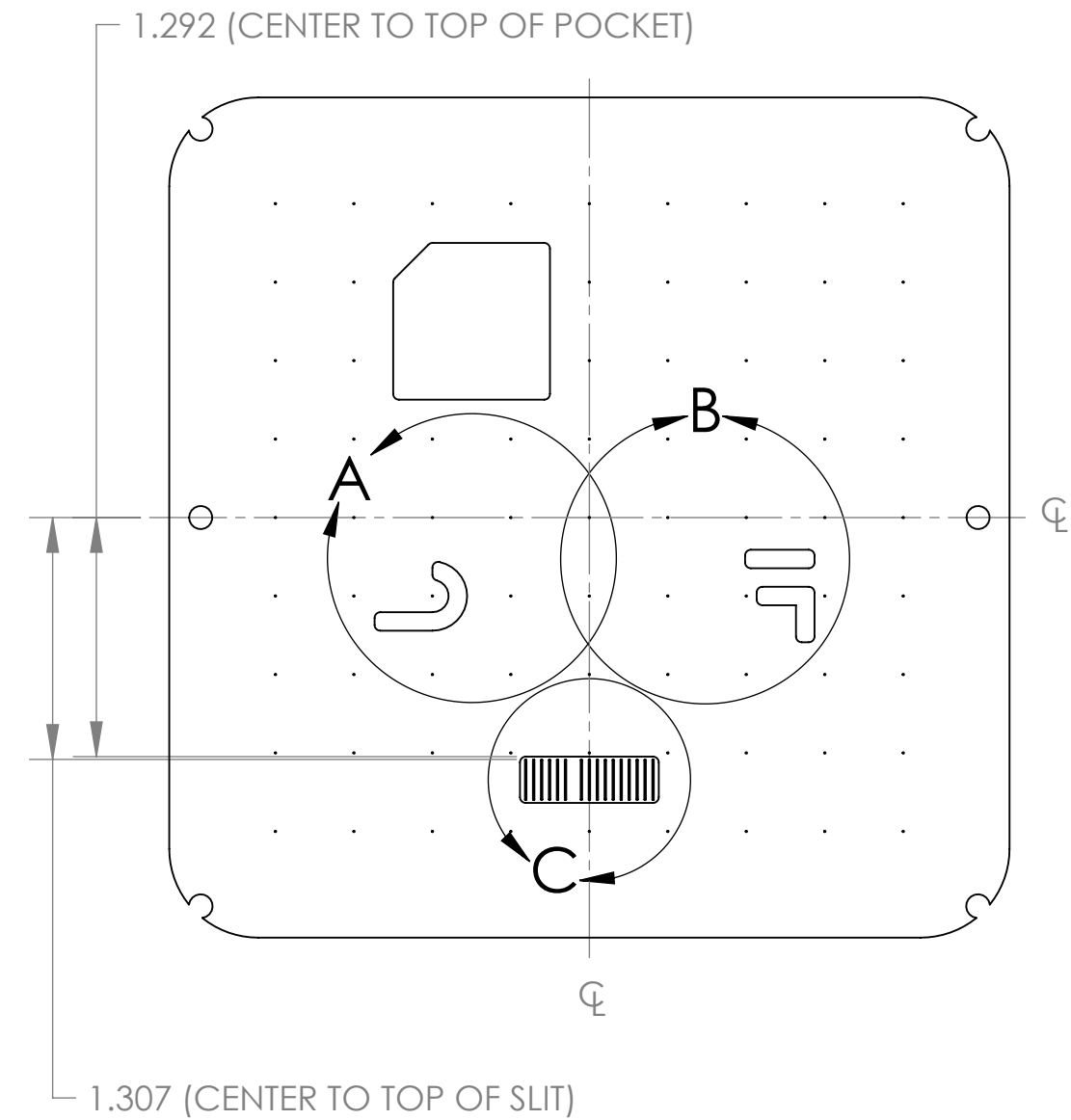


DETAIL B
SCALE 2 : 1



DETAIL C
SCALE 4 : 1

POCKET DEPTH:
.008 REMAINING
MATERIAL



UNLESS OTHERWISE SPECIFIED DIMENSIONS
ARE IN INCHES, REMOVE BURRS AND
BREAK SHARP EDGES 0.005-0.010
TOLERANCES: .XX±.010 .XXX±.001
ANGLES ±0.5° UNLESS NOTED,
ALL SURFACES 64 UNLESS NOTED
MATERIAL: 6061-T6 ALUM
QTY: 1

NAME:	INIT.	DATE:	TITLE:
DRAWN:	SCP	07/10/07	FIELD STOP MASK
CHECKED:	JDA	07/10/07	SIZE: B
APPROVED:			DRAWING #
FABRICATED:			REV 0
FILE: Field Stop Mask			SCALE: 1:1
			DATE: 7/10/2007
			SHEET 2 OF 2

Cornell University
Center for Radiophysics and Space Research - Ithaca, NY 14853