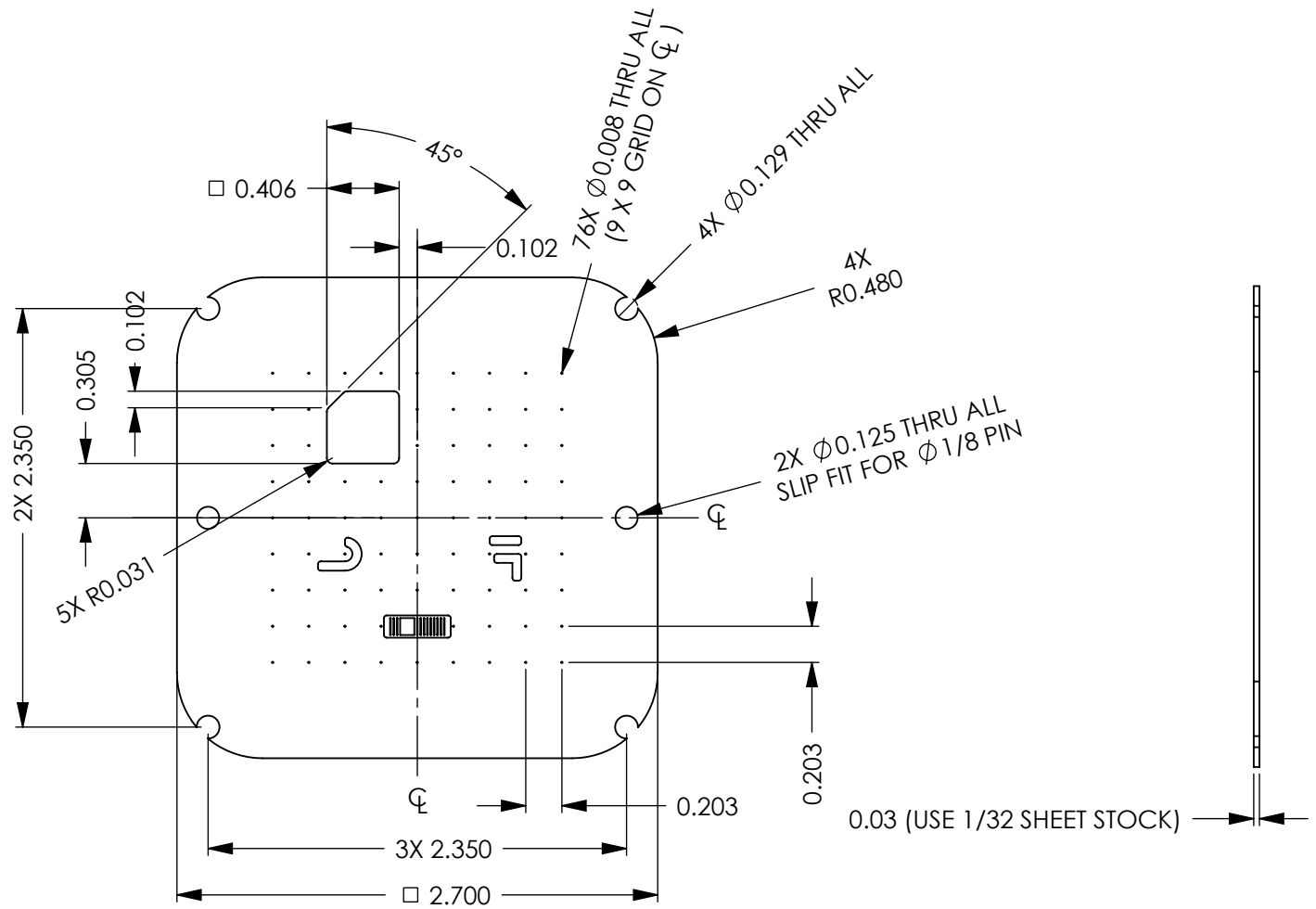


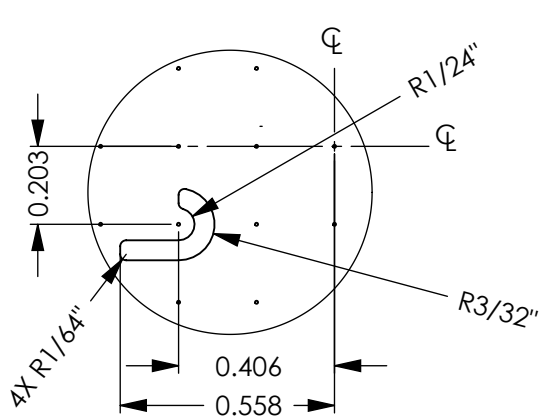
DETAIL D  
SCALE 4 : 1



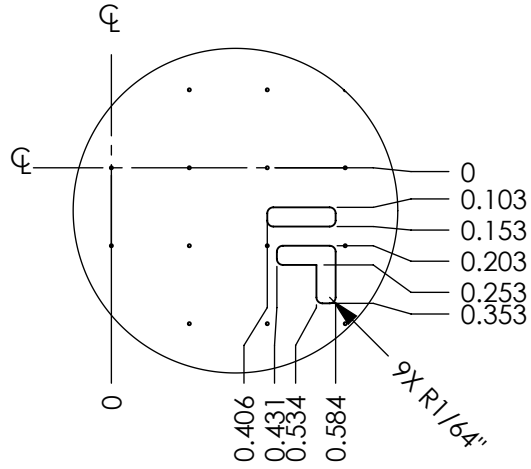
COMMENTS:

6061-T6 ALUM  
QTY:1

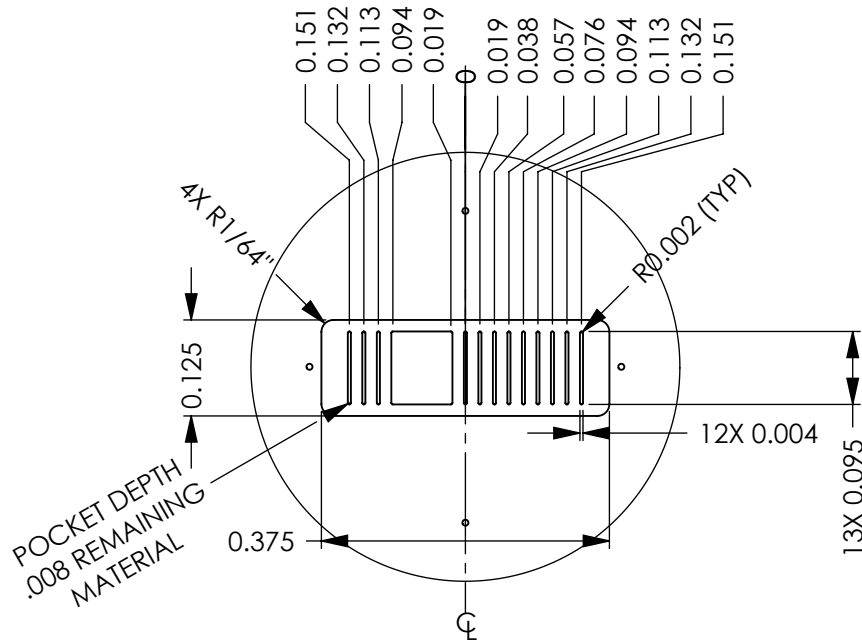
Field Stop Mask			SIZE	DWG. NO.	REV.
			A		
SCALE:1:1	WEIGHT:		SHEET 1 OF 2		



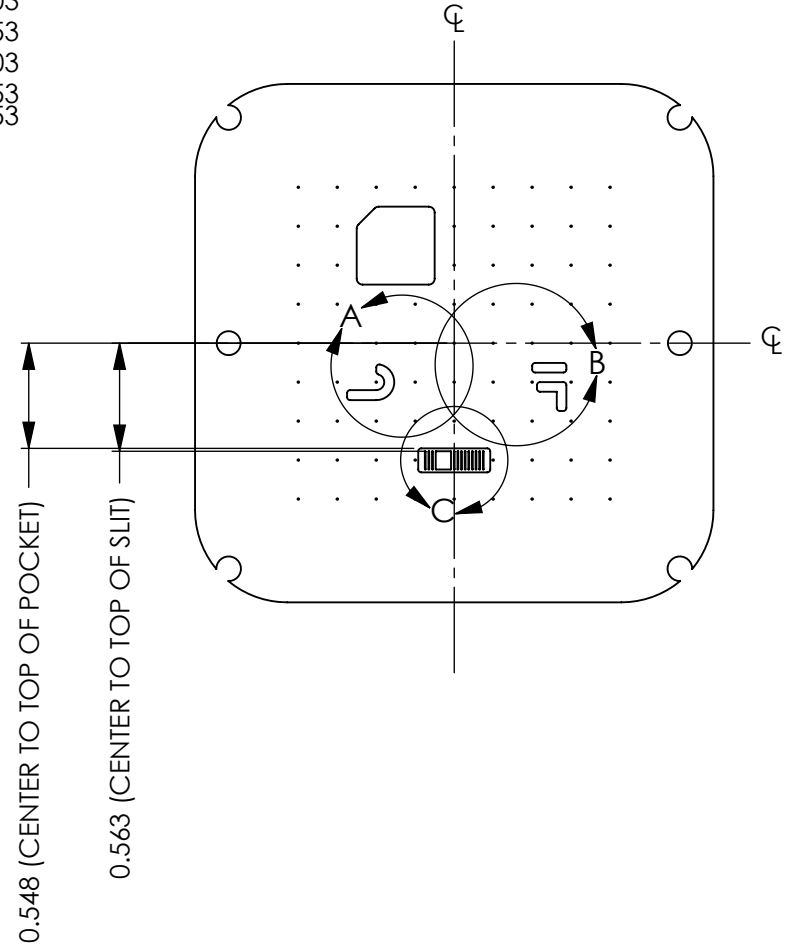
DETAIL A  
SCALE 2 : 1



DETAIL B  
SCALE 2 : 1



DETAIL C  
SCALE 4 : 1



TITLE:		
<b>Field Stop Mask</b>		
SIZE	DWG. NO.	REV
SCALE: 1:1	WEIGHT:	SHEET 2 OF 2

COMMENTS:  
**6061-T6 ALUM**  
**QTY:1**