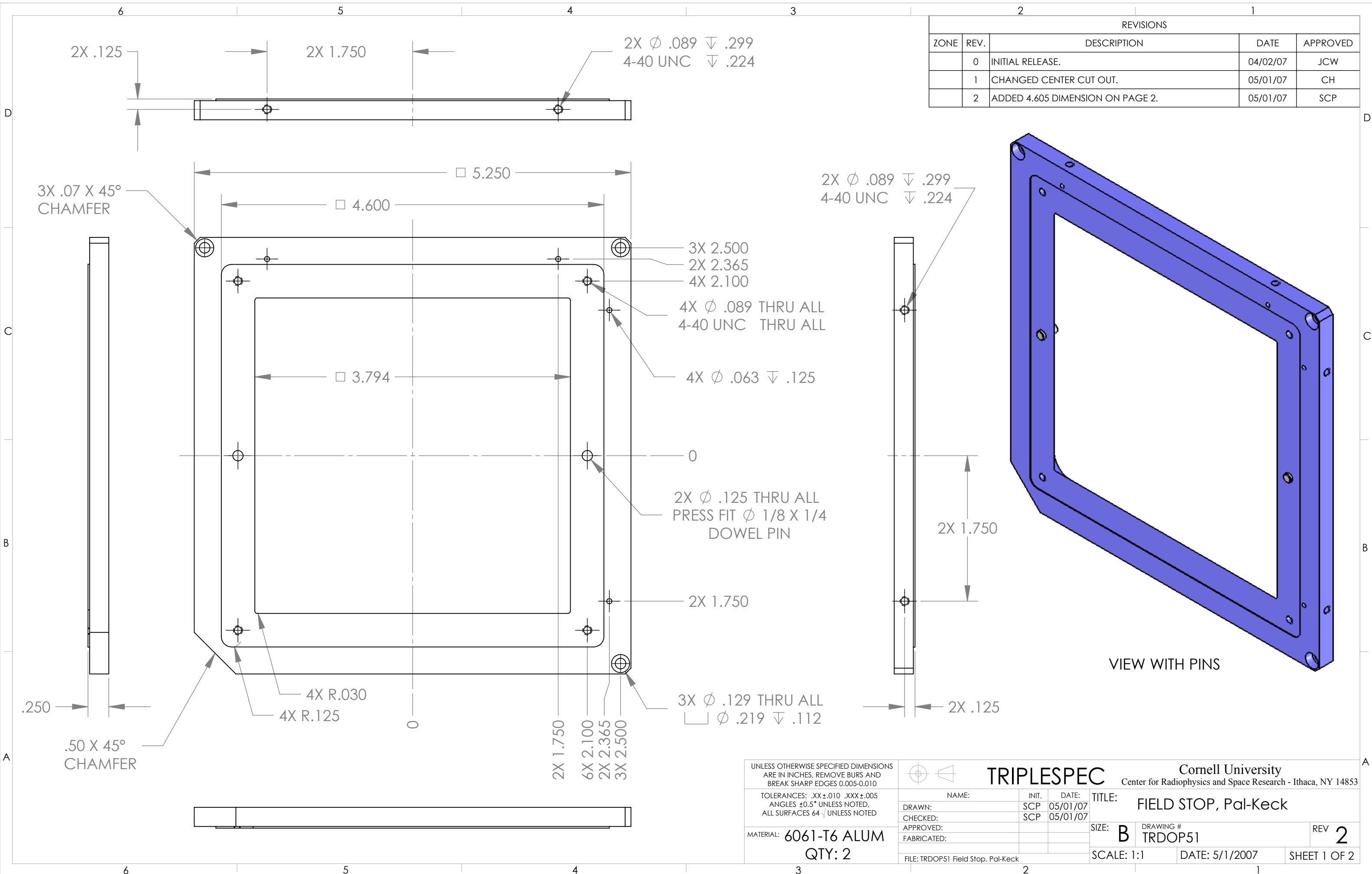


REVISIONS				
ZONE	REV.	DESCRIPTION	DATE	APPROVED
	0	INITIAL RELEASE.	04/02/07	JCW
	1	CHANGED CENTER CUT OUT.	05/01/07	CH
	2	ADDED 4.605 DIMENSION ON PAGE 2.	05/01/07	SCP



UNLESS OTHERWISE SPECIFIED DIMENSIONS ARE IN INCHES, REMOVE BURS AND BREAK SHARP EDGES 0.005-0.010

TOLERANCES: .XX±.010 .XXX±.005
 ANGLES ±0.5° UNLESS NOTED,
 ALL SURFACES 64 UNLESS NOTED

MATERIAL: **6061-T6 ALUM**
QTY: 2

TRIPLESPEC

Cornell University
 Center for Radiophysics and Space Research - Ithaca, NY 14853

NAME:	INIT.	DATE:	TITLE:
DRAWN:	SCP	05/01/07	FIELD STOP, Pal-Keck
CHECKED:	SCP	05/01/07	
APPROVED:			
FABRICATED:			

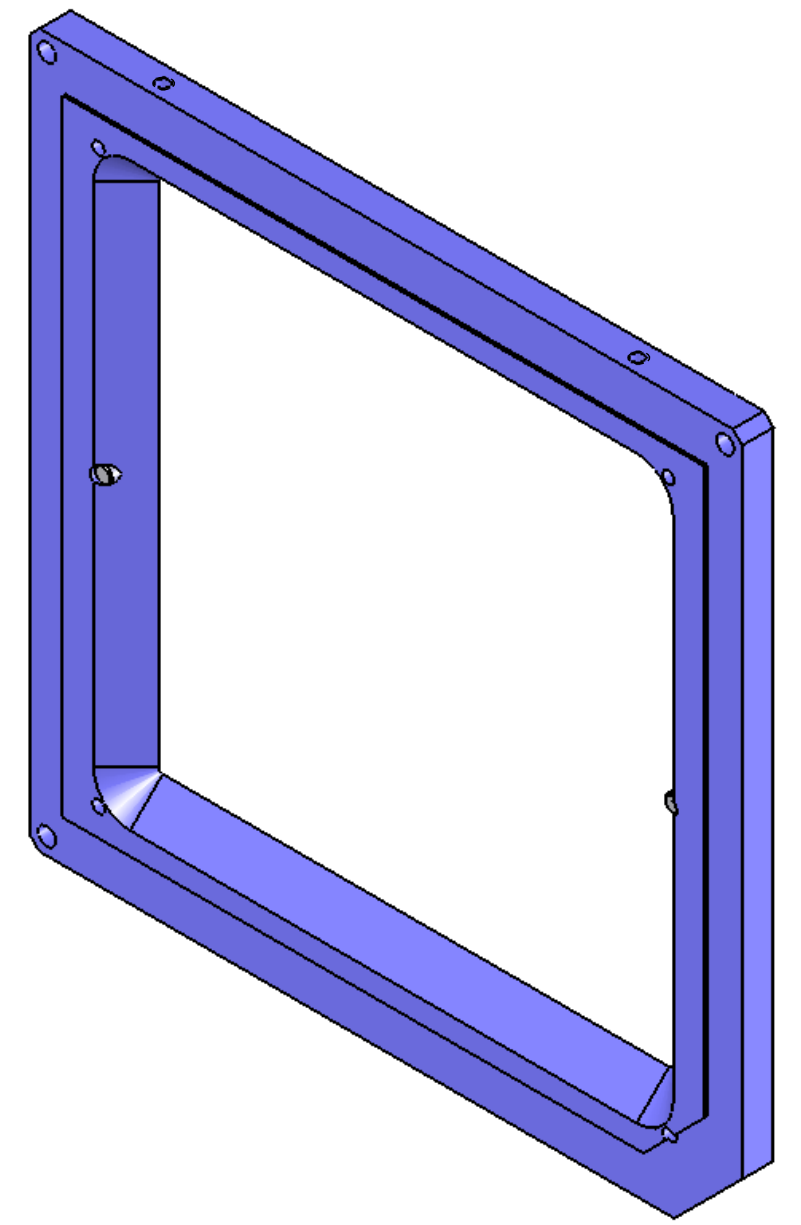
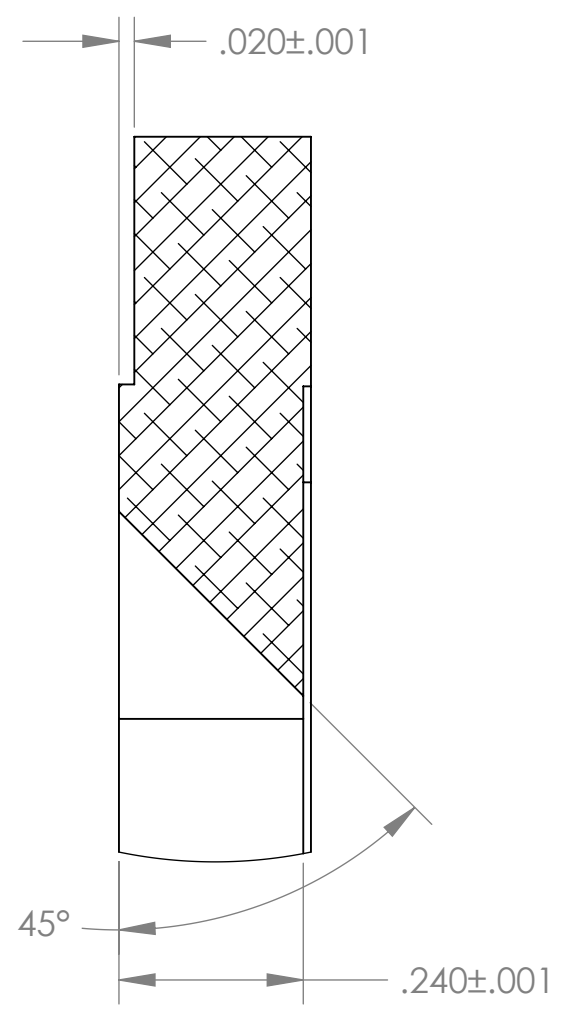
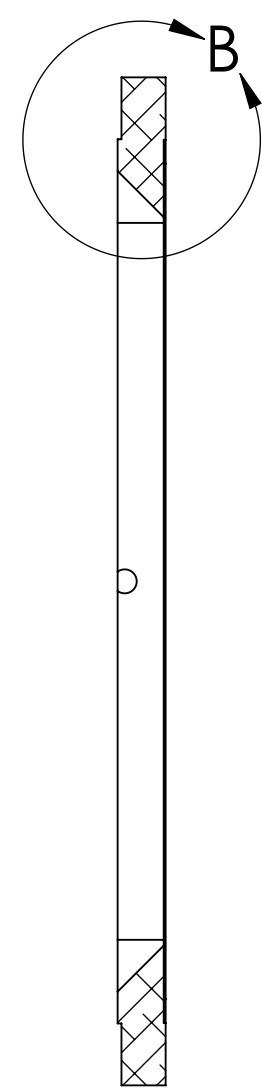
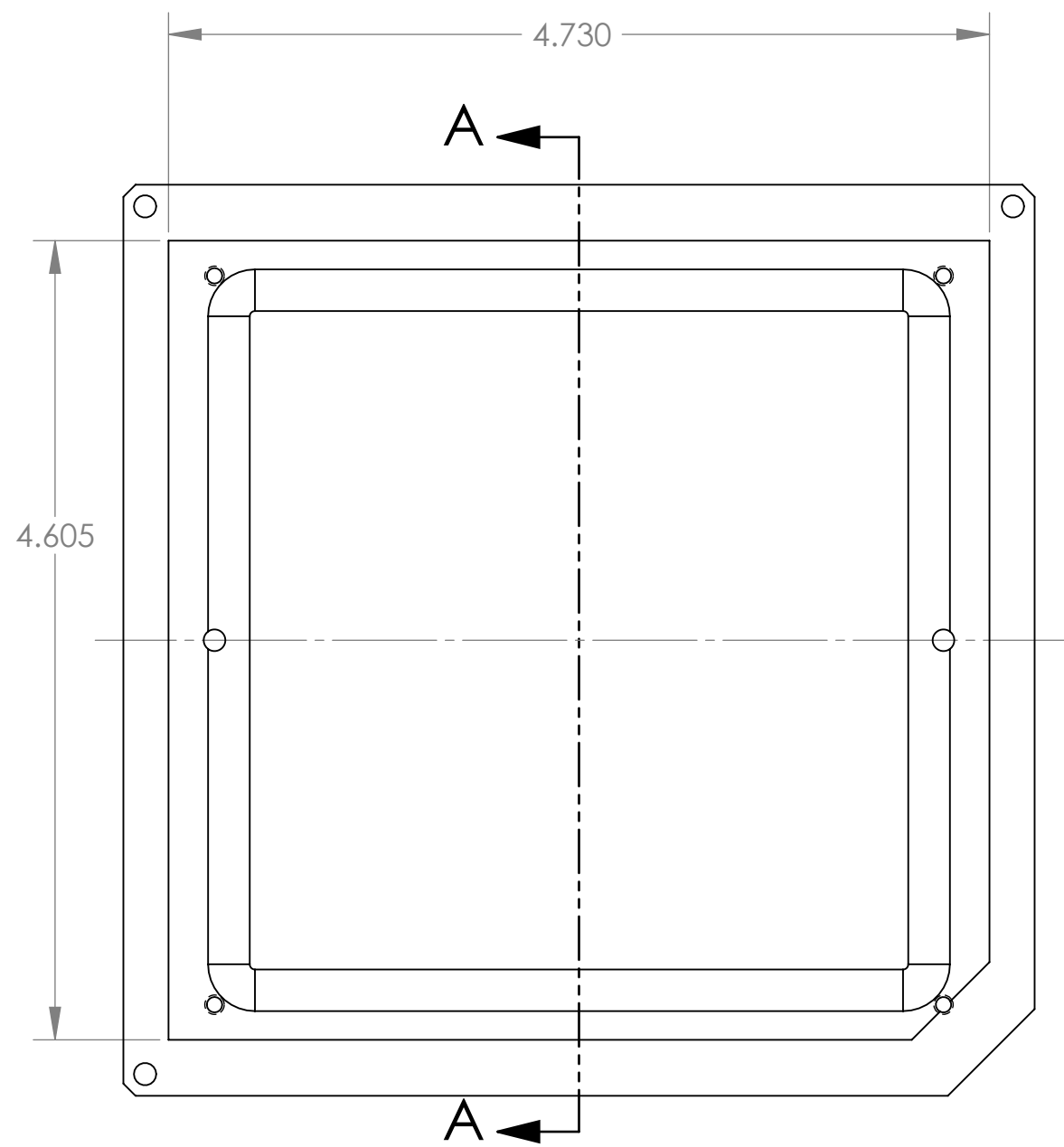
SIZE: B	DRAWING #	REV
	TRDOP51	2

FILE: TRDOP51 Field Stop, Pal-Keck

SCALE: 1:1

DATE: 5/1/2007

SHEET 1 OF 2



SECTION A-A

DETAIL B
SCALE 4 : 1

VIEW WITH PINS

UNLESS OTHERWISE SPECIFIED DIMENSIONS ARE IN INCHES, REMOVE BURRS AND BREAK SHARP EDGES 0.005-0.010 TOLERANCES: .XX±.010 .XXX±.005 ANGLES ±0.5° UNLESS NOTED, ALL SURFACES 64 UNLESS NOTED MATERIAL: 6061-T6 ALUM QTY: 2			TRIPLESPEC		Cornell University Center for Radiophysics and Space Research - Ithaca, NY 14853	
	NAME:	INIT.	DATE:	TITLE:		
	DRAWN:	SCP	05/01/07	FIELD STOP, Pal-Keck		
	CHECKED:	SCP	05/01/07			
APPROVED:			SIZE:	B	DRAWING #	REV
FABRICATED:			TRDOP51			2
FILE: TRDOP51 Field Stop, Pal-Keck			SCALE: 1:1	DATE: 5/1/2007	SHEET 2 OF 2	