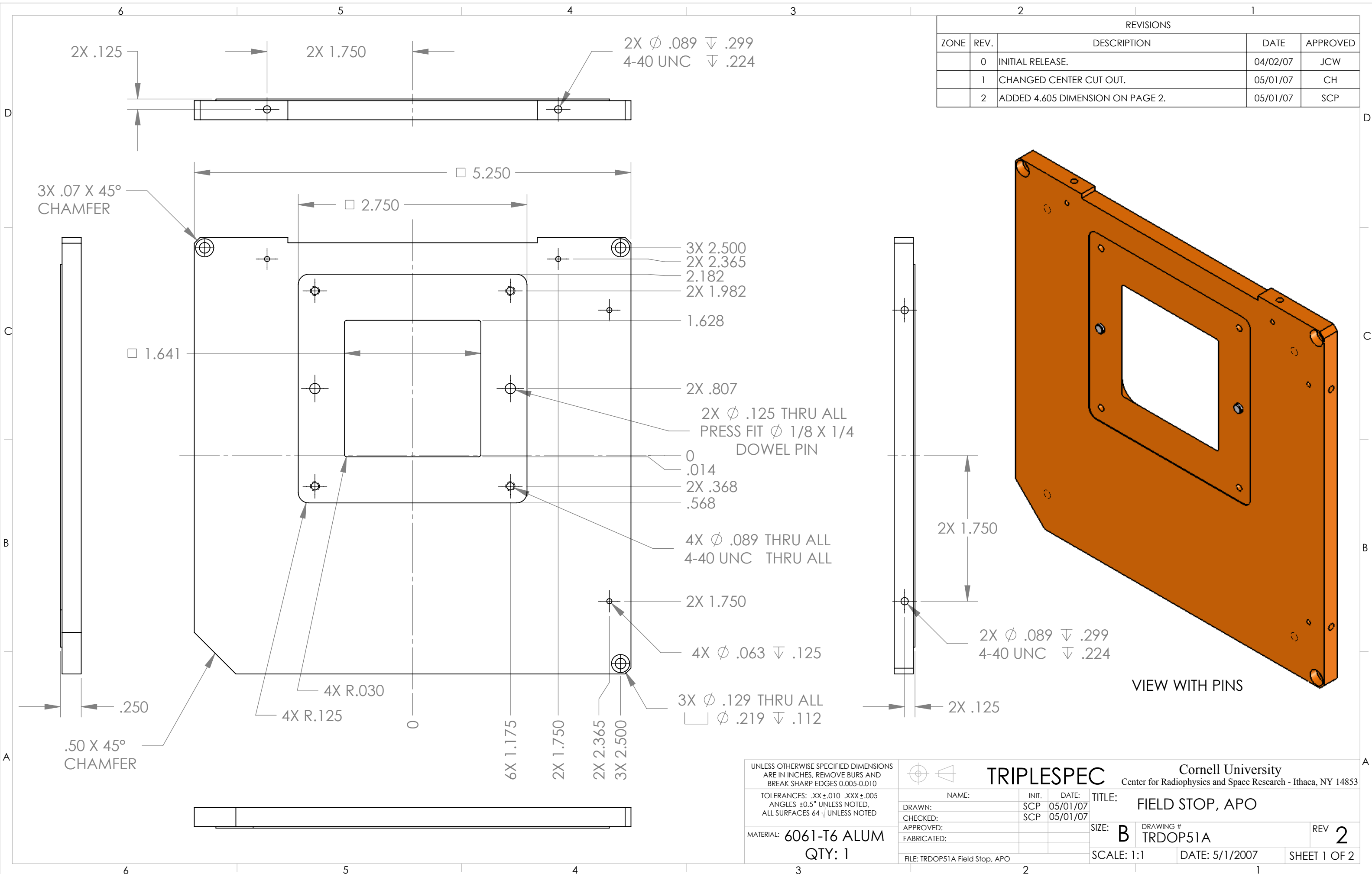


REVISIONS				
ZONE	REV.	DESCRIPTION	DATE	APPROVED
	0	INITIAL RELEASE.	04/02/07	JCW
	1	CHANGED CENTER CUT OUT.	05/01/07	CH
	2	ADDED 4.605 DIMENSION ON PAGE 2.	05/01/07	SCP



UNLESS OTHERWISE SPECIFIED DIMENSIONS ARE IN INCHES, REMOVE BURRS AND BREAK SHARP EDGES 0.005-0.010

TOLERANCES: .XX±.010 .XXX±.005  
 ANGLES ±0.5° UNLESS NOTED,  
 ALL SURFACES 64 UNLESS NOTED

MATERIAL: **6061-T6 ALUM**  
**QTY: 1**

**TRIPLESPEC**

Cornell University  
 Center for Radiophysics and Space Research - Ithaca, NY 14853

NAME:	INIT.	DATE:	TITLE:
DRAWN:	SCP	05/01/07	FIELD STOP, APO
CHECKED:	SCP	05/01/07	
APPROVED:			
FABRICATED:			

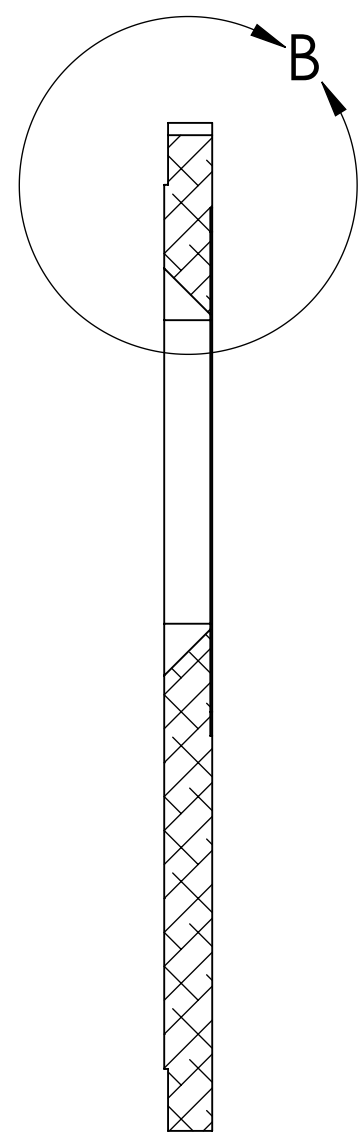
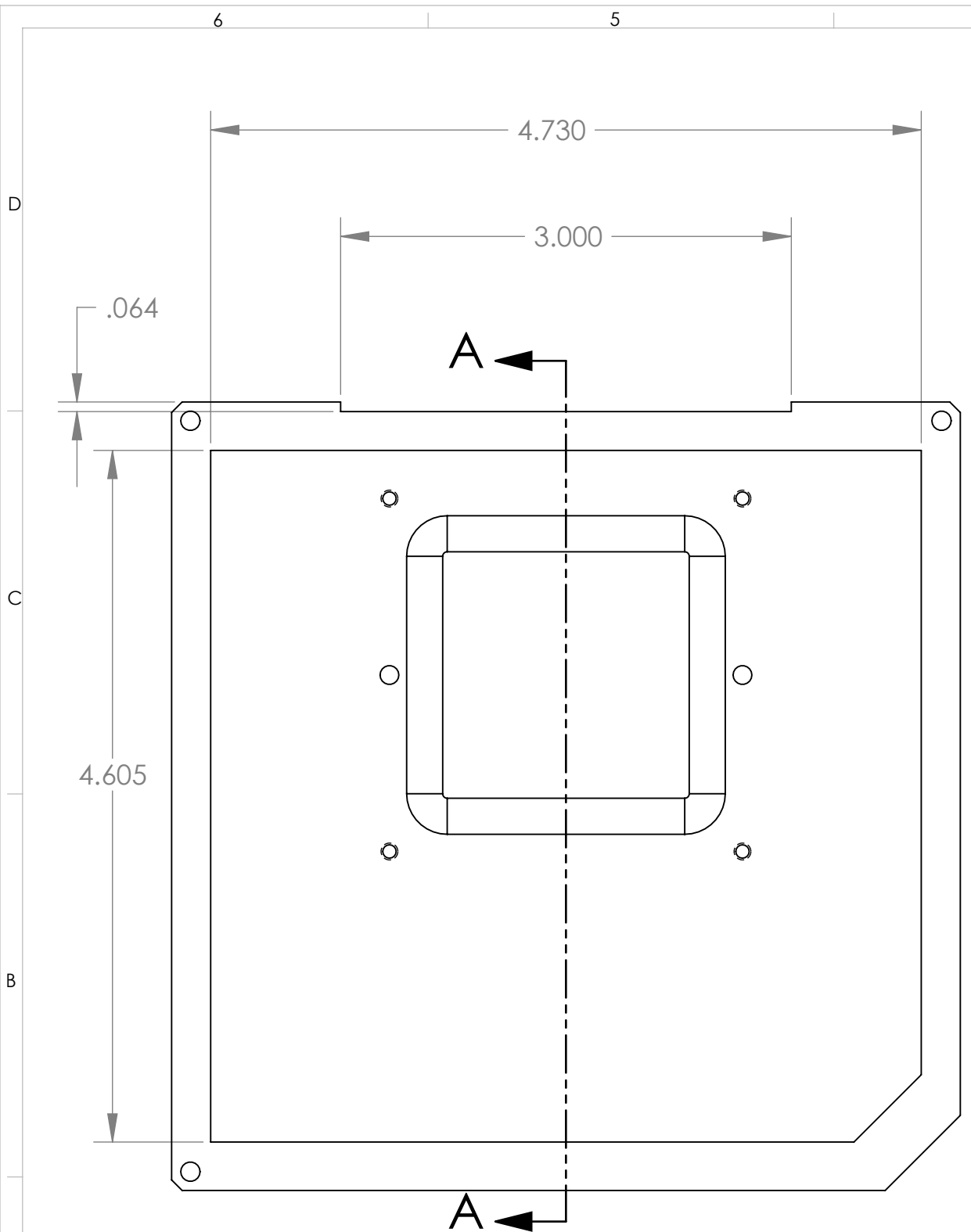
SIZE: <b>B</b>	DRAWING #	REV
	TRDOP51A	<b>2</b>

FILE: TRDOP51A Field Stop, APO

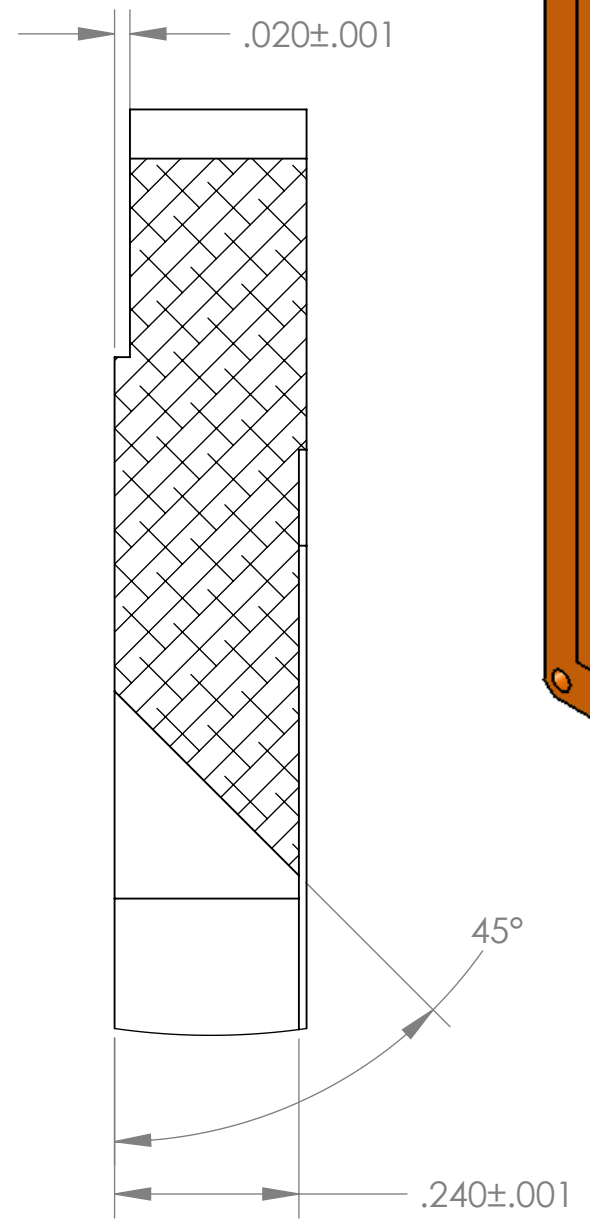
SCALE: 1:1

DATE: 5/1/2007

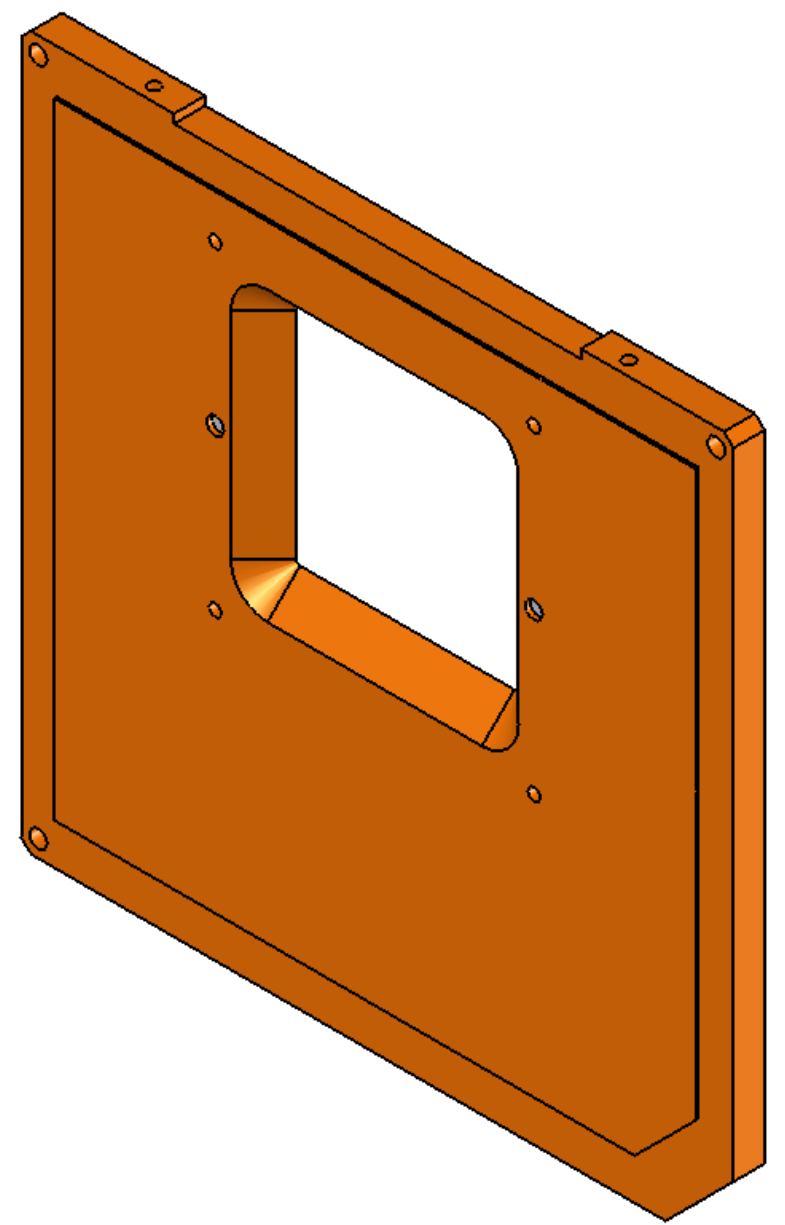
SHEET 1 OF 2



SECTION A-A



DETAIL B  
SCALE 4 : 1



VIEW WITH PINS

UNLESS OTHERWISE SPECIFIED DIMENSIONS ARE IN INCHES, REMOVE BURS AND BREAK SHARP EDGES 0.005-0.010 TOLERANCES: .XX ± .010 .XXX ± .005 ANGLES ± 0.5° UNLESS NOTED, ALL SURFACES 64 UNLESS NOTED MATERIAL: 6061-T6 ALUM QTY: 1			<b>TRIPLESPEC</b>		Cornell University Center for Radiophysics and Space Research - Ithaca, NY 14853	
	NAME:	INIT.	DATE:	TITLE:		
	DRAWN:	SCP	05/01/07	FIELD STOP, APO		
	CHECKED:	SCP	05/01/07	SIZE: B	DRAWING #	REV
APPROVED:			TRDOP51A		2	
FABRICATED:			SCALE: 1:1		DATE: 5/1/2007	
FILE: TRDOP51A Field Stop, APO			SHEET 2 OF 2			