

8 7 6 5 4 3 2 1

D

C

B

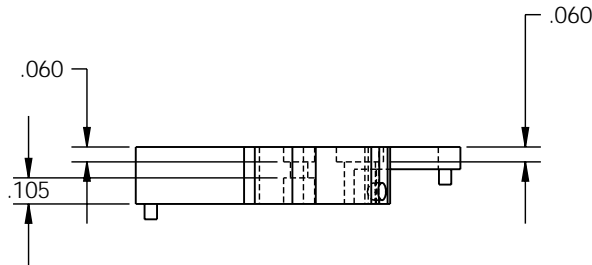
A

D

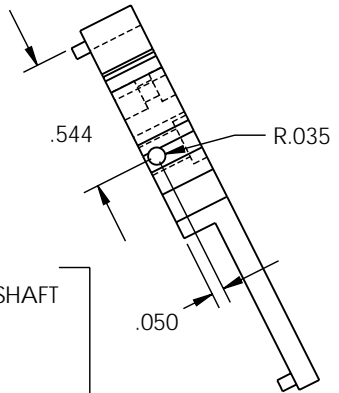
C

B

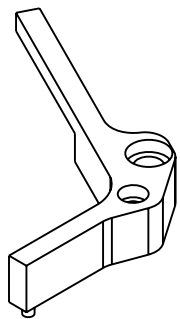
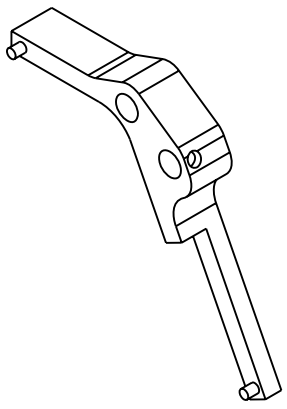
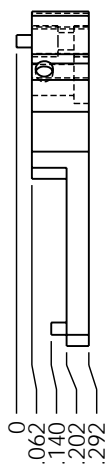
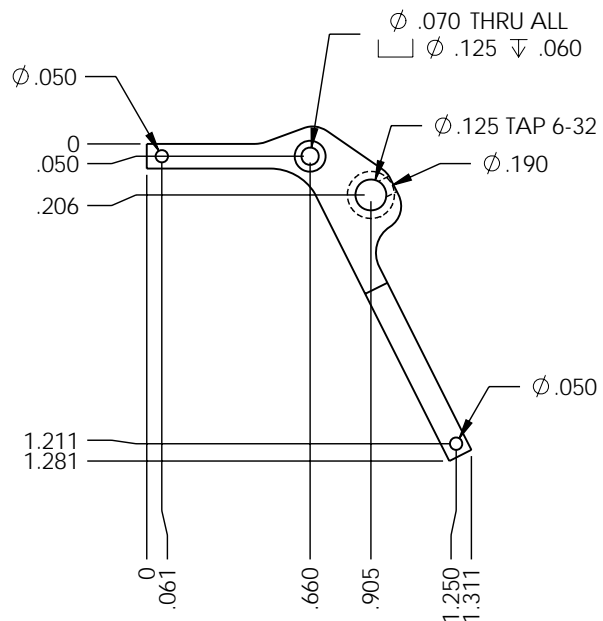
A



Ø .070 THRU ALL
 □ Ø .125 ∇ .060
 CLOSE SLIP FIT FOR Ø .125 SHAFT



VIEW A-A



<p>THIRD ANGLE PROJECTION</p>	<p>PROPRIETARY AND CONFIDENTIAL THE INFORMATION CONTAINED IN THIS DRAWING IS THE SOLE PROPERTY OF PULSERAY. ANY REPRODUCTION IN PART OR AS A WHOLE WITHOUT THE WRITTEN PERMISSION OF PULSERAY IS PROHIBITED.</p>	UNLESS OTHERWISE SPECIFIED: DIMENSIONS ARE IN INCHES TOLERANCES: FRACTIONAL ±1/32 ANGULAR: MACH±.1 BEND ±1 TWO PLACE DECIMAL ±0.01 THREE PLACE DECIMAL ±0.005	NAME BASIL	DATE 11/27/2007	PULSERAY 607-654-2070 TITLE:
		INTERPRET GEOMETRIC TOLERANCING PER: MATERIAL 303sst	CHECKED ENG APPR. MFG APPR.	O.A. COMMENTS:	
NEXT ASSY APPLICATION	USED ON DO NOT SCALE DRAWING				WEIGHT:

8 7 6 5 4 3 2 1