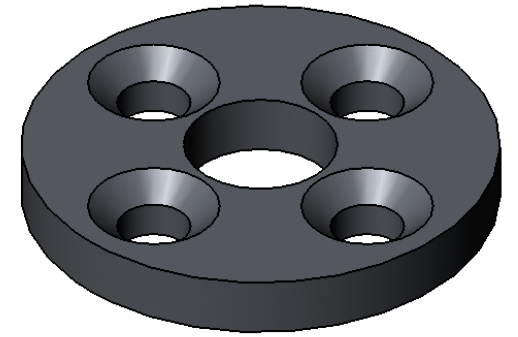
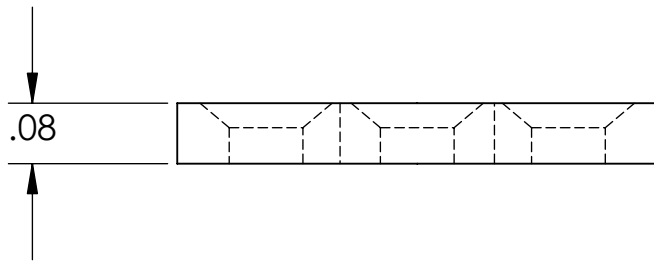


4X ϕ .096 THRU ALL
 \checkmark ϕ .172 X 100°
 CS FOR #2 FHSCREW



TITLE: Arm-Bearing Cap		
SIZE	DWG. NO.	REV
		SHEET 1 OF 1

COMMENTS: AL
