

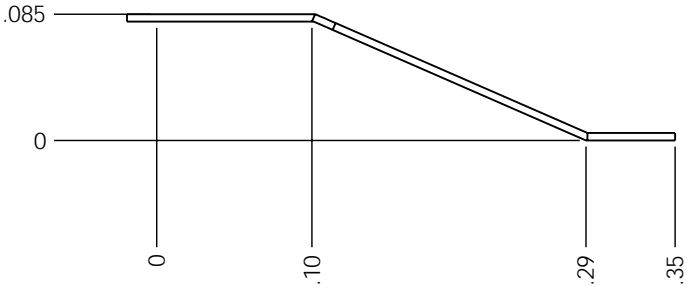
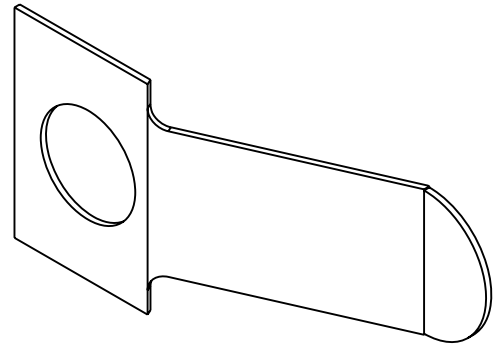
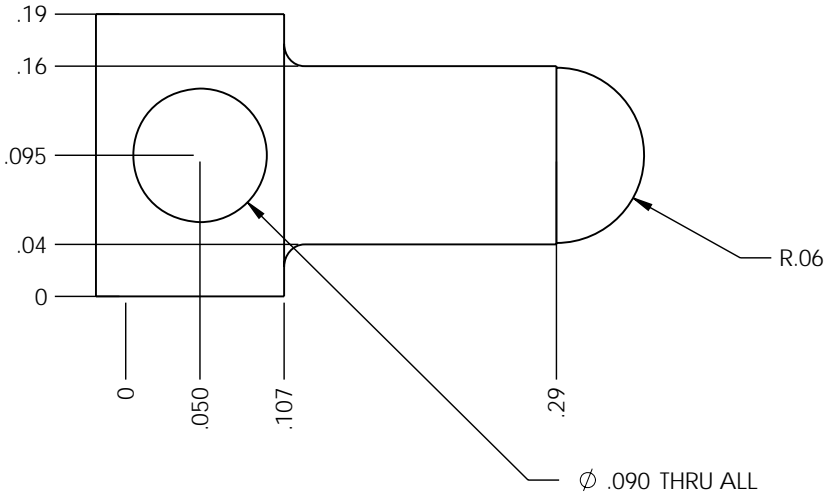
8 7 6 5 4 3 2 1

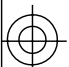
D

C

B

A



 THIRD ANGLE PROJECTION	UNLESS OTHERWISE SPECIFIED:		NAME	DATE	PULSERAY 607-654-2070
	DIMENSIONS ARE IN INCHES TOLERANCES: FRACTIONAL ±1/32 ANGULAR: MACH±.1 BEND ±1 TWO PLACE DECIMAL ±0.01 THREE PLACE DECIMAL ±0.005		DRAWN	BASIL	
PROPRIETARY AND CONFIDENTIAL THE INFORMATION CONTAINED IN THIS DRAWING IS THE SOLE PROPERTY OF PULSERAY. ANY REPRODUCTION IN PART OR AS A WHOLE WITHOUT THE WRITTEN PERMISSION OF PULSERAY IS PROHIBITED.	INTERPRET GEOMETRIC TOLERANCING PER:		CHECKED		TITLE:
	NEXT ASSY	USED ON	ENG APPR.		
	APPLICATION		DO NOT SCALE DRAWING	MFG APPR.	
MATERIAL		BECU	COMMENTS:		SIZE B DWG. NO. slit_clip REV A
FINISH					SCALE: 12:1 WEIGHT: SHEET 1 OF 1

8 7 6 5 4 3 2 1