



8 7 6 5 4 3 2 1

D

C

B

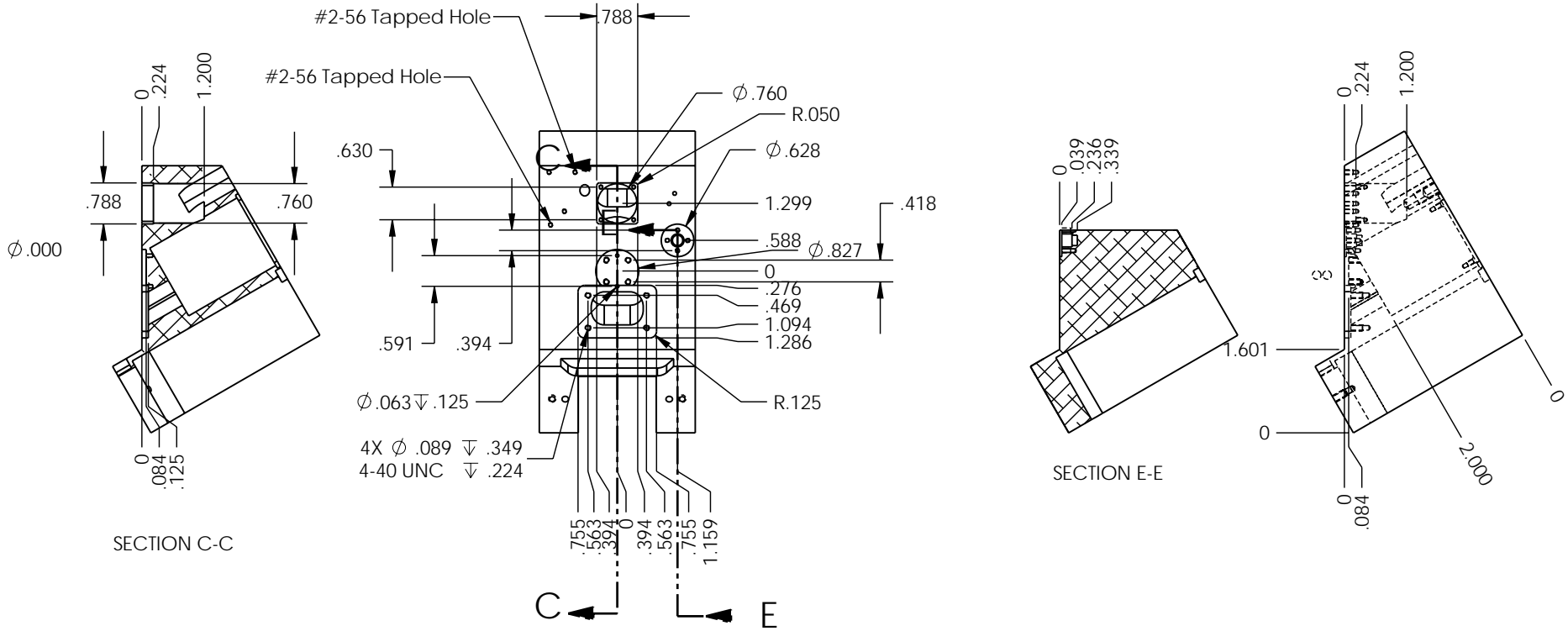
A

D

C

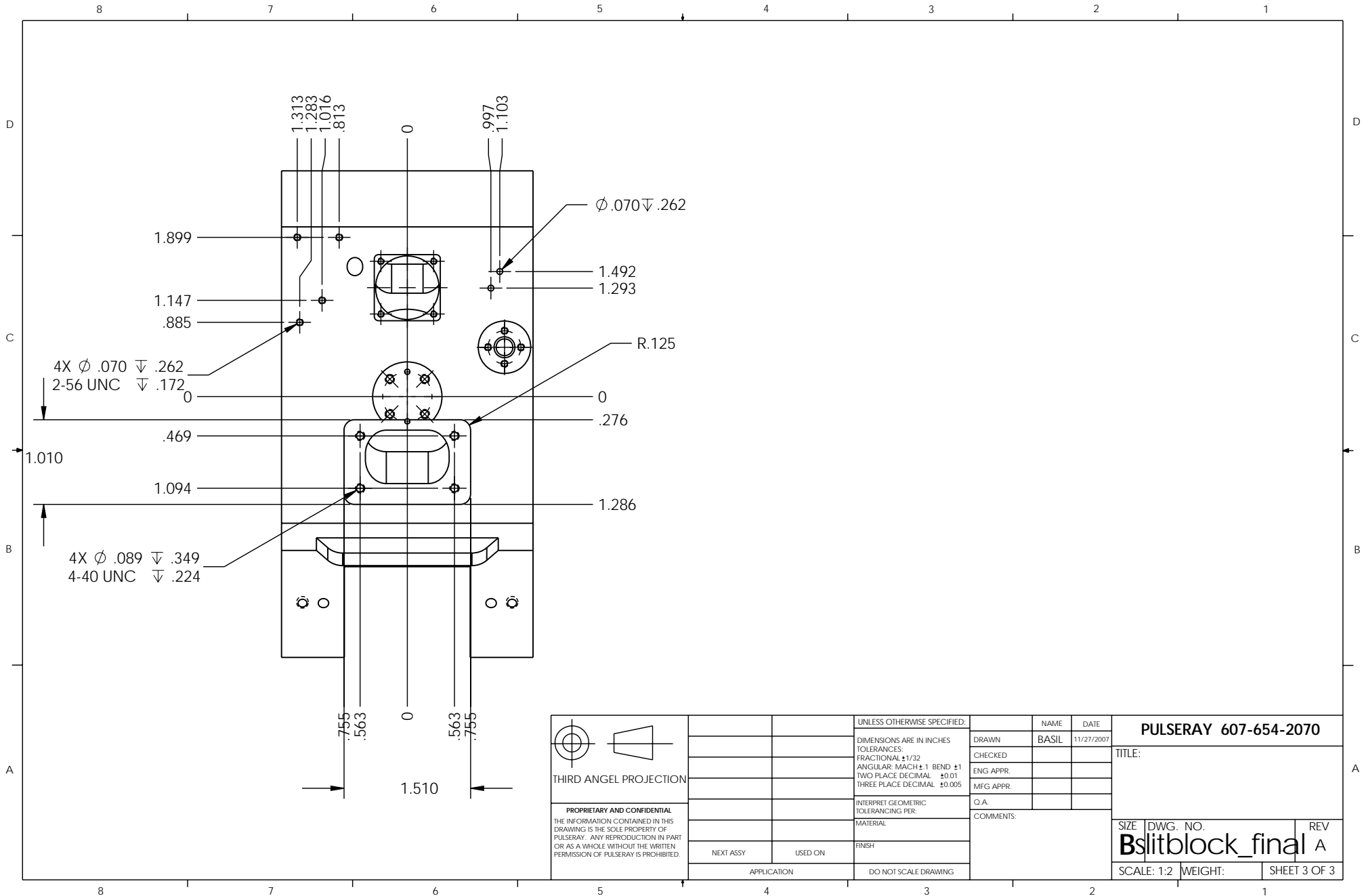
B

A



<p>THIRD ANGLE PROJECTION</p>	<p>PROPRIETARY AND CONFIDENTIAL THE INFORMATION CONTAINED IN THIS DRAWING IS THE SOLE PROPERTY OF PULSERAY. ANY REPRODUCTION IN PART OR AS A WHOLE WITHOUT THE WRITTEN PERMISSION OF PULSERAY IS PROHIBITED.</p>	UNLESS OTHERWISE SPECIFIED:	NAME	DATE	<p><b>PULSERAY 607-654-2070</b></p>						
		<p>DIMENSIONS ARE IN INCHES TOLERANCES: FRACTIONAL <math>\pm 1/32</math> ANGULAR: MACH <math>\pm 1</math> BEND <math>\pm 1</math> TWO PLACE DECIMAL <math>\pm 0.01</math> THREE PLACE DECIMAL <math>\pm 0.005</math></p>	<p>DRAWN BASIL</p>	<p>11/27/2007</p>		TITLE:					
		INTERPRET GEOMETRIC TOLERANCING PER:	COMMENTS:								
		MATERIAL:									
NEXT ASSY	USED ON	FINISH			<table border="1"> <tr> <td>SIZE</td> <td>DWG. NO.</td> <td>REV</td> </tr> <tr> <td></td> <td><b>Bslitblock_final</b></td> <td>A</td> </tr> </table>	SIZE	DWG. NO.	REV		<b>Bslitblock_final</b>	A
SIZE	DWG. NO.	REV									
	<b>Bslitblock_final</b>	A									
APPLICATION		DO NOT SCALE DRAWING			<table border="1"> <tr> <td>SCALE: 1:2</td> <td>WEIGHT:</td> <td>SHEET 2 OF 3</td> </tr> </table>	SCALE: 1:2	WEIGHT:	SHEET 2 OF 3			
SCALE: 1:2	WEIGHT:	SHEET 2 OF 3									

8 7 6 5 4 3 2 1



<p>THIRD ANGLE PROJECTION</p>	UNLESS OTHERWISE SPECIFIED:			NAME	DATE	<b>PULSERAY 607-654-2070</b>
	DIMENSIONS ARE IN INCHES TOLERANCES: FRACTIONAL $\pm 1/32$ ANGULAR: MACH $\pm 1$ BEND $\pm 1$ TWO PLACE DECIMAL $\pm 0.01$ THREE PLACE DECIMAL $\pm 0.005$			DRAWN	BASIL	
PROPRIETARY AND CONFIDENTIAL THE INFORMATION CONTAINED IN THIS DRAWING IS THE SOLE PROPERTY OF PULSERAY. ANY REPRODUCTION IN PART OR AS A WHOLE WITHOUT THE WRITTEN PERMISSION OF PULSERAY IS PROHIBITED.	INTERPRET GEOMETRIC TOLERANCING PER:			ENG APPR.		TITLE:  SIZE DWG. NO. REV <b>Bslitblock_final A</b>
	MATERIAL			MFG APPR.		
	FINISH			O.A.		
NEXT ASSY	USED ON	APPLICATION		COMMENTS:		SCALE: 1:2 WEIGHT: SHEET 3 OF 3
		DO NOT SCALE DRAWING				