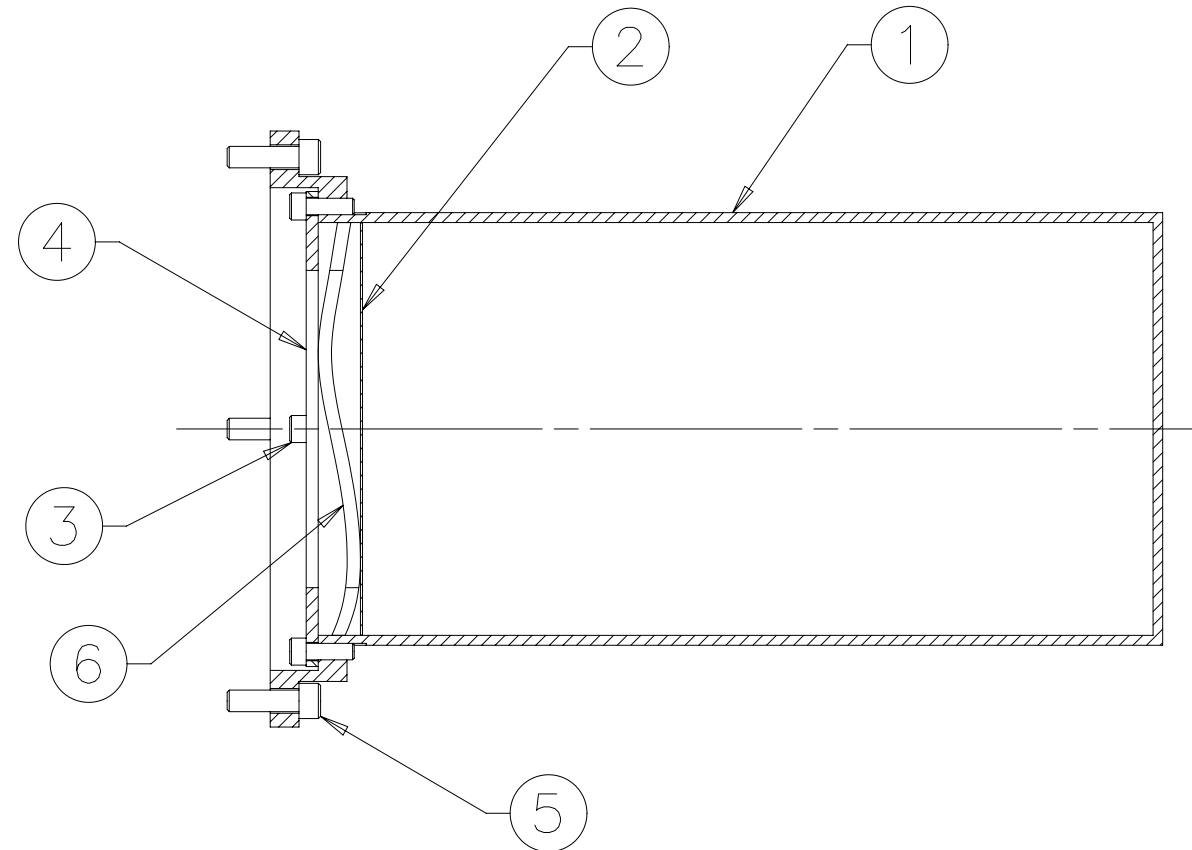
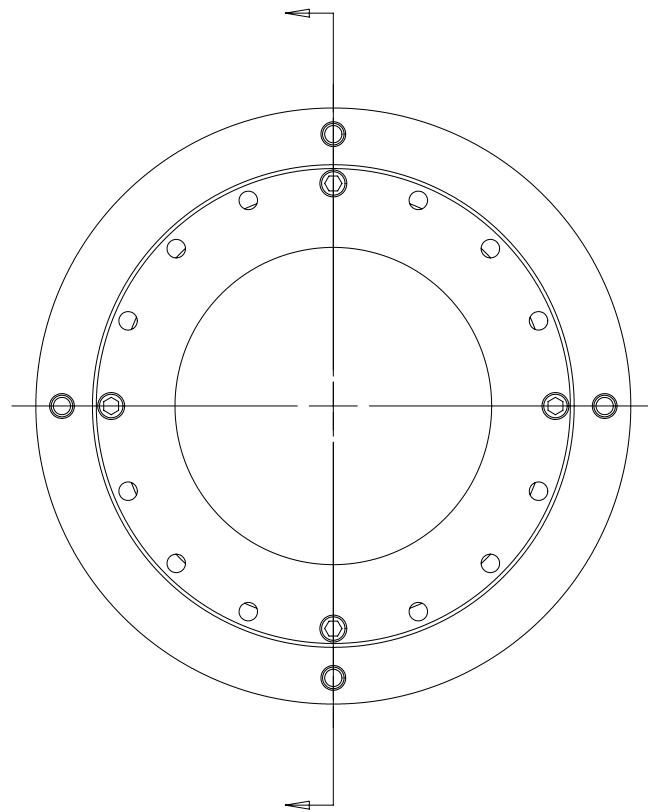


REV.	DESCRIPTION	APPROV.	DATE



6	ASSOCIATED SPRING W2132-023	WAVE SPRING WASHER, ASSOCIATED	2	S. S. 303	0.00
5		SCREW H.S. HEAD #4-40X3/8	4	S. S. 303	0.00
4	111159	DESICCANT RETAINING PLATE	1	ALUMINUM 6061-T6	0.02
3		SCREW H.S. HEAD #2-56X1/4	4	S. S. 303	0.00
2	MMC 9319T574	WIRE CLOTH 60X60	1	S. S. 316	0.01
1	119019	DESICCANT HOLDER	1	ALUMINUM 6061-T6	0.23
ITEM	PART NO	DESCRIPTION	QTY	MATERIAL	WEIGHT

NIRES-D85

Infrared Physics
CALIFORNIA INSTITUTE OF TECHNOLOGY
Pasadena, California

UNLESS OTHERWISE SPECIFIED
DIMENSIONS ARE IN INCHES
.005/.010 EDGE BROKEN
THREADS PER MIL-S-7742
MACHINED SURFACE 63 MAX
MACHINED INSIDE CORNER
R.005 MAX
TOLERANCE
.XX: ±.01 X/XX: ±1/64
.XXX: ±.005 ANG:±.5

SIGNATURE		DATE
DWN BY	SEAN LIN	3 31 07
CHK BY		
APPR BY		

TITLE	DESICCANT ASSEMBLY	
DRAWING NUMBER	017003	REV. N/C
DWG SIZE B	SCALE 1/1	SHEET 1 OF 1

NEXT ASSEMBLY

NOTE :