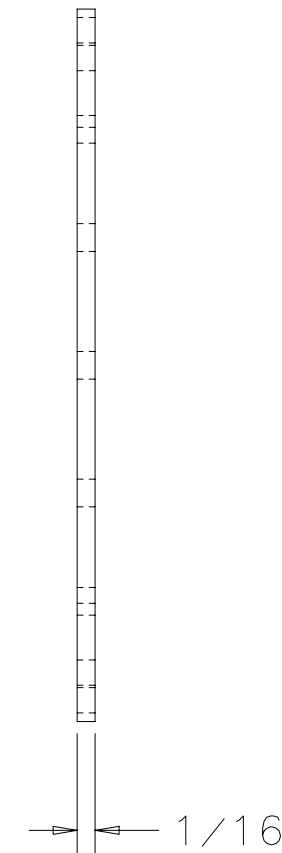
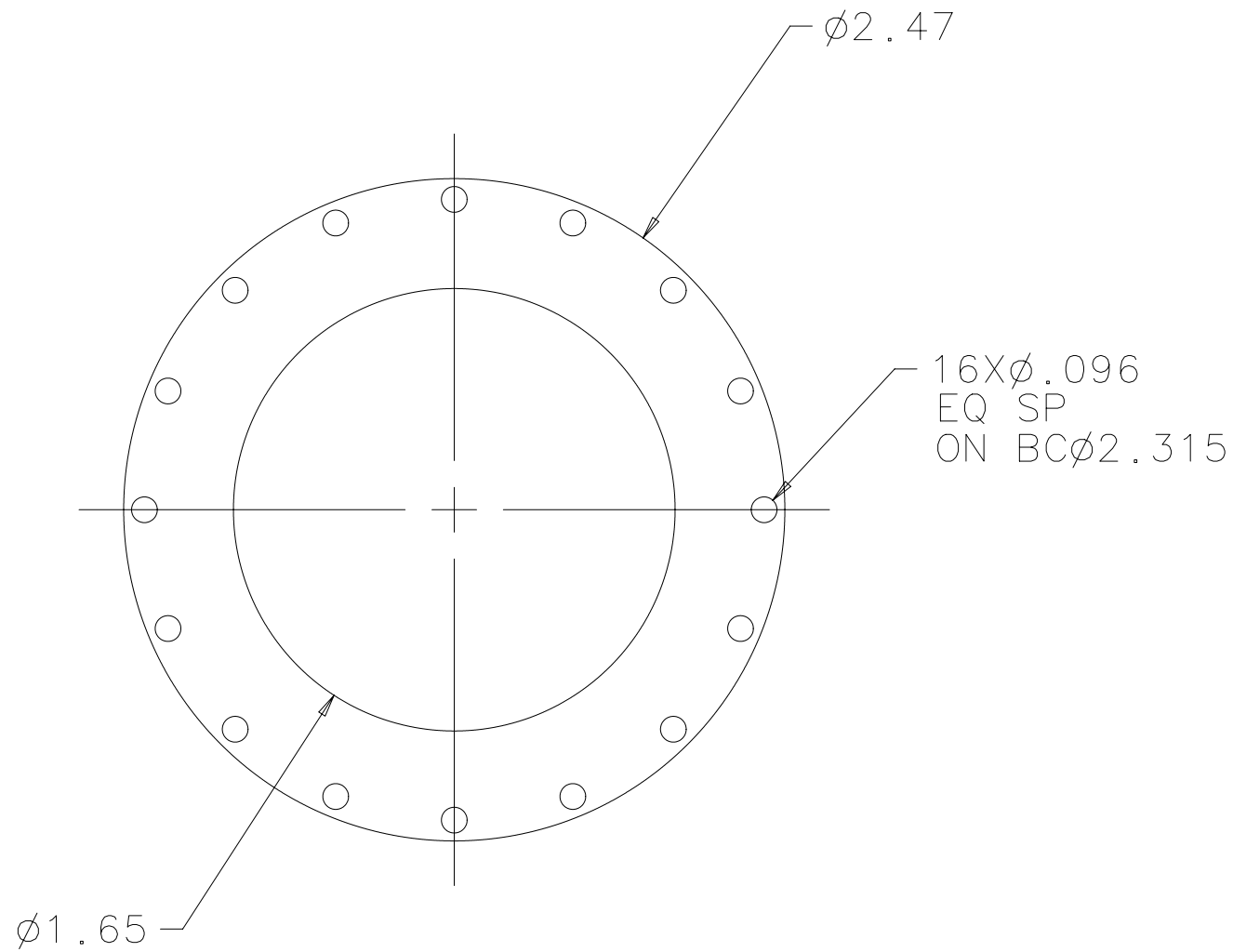


REV.	DESCRIPTION	APPROV.	DATE



1. MATERIAL: ALUMINUM ALLOY 6061-T651.

NOTE:

NEXT ASSEMBLY 017003

NIRES-D85		Infrared Physics CALIFORNIA INSTITUTE OF TECHNOLOGY Pasadena, California			
		SIGNATURE	DATE	TITLE	DESICCANT RETAINING PLATE
UNLESS OTHERWISE SPECIFIED DIMENSIONS ARE IN INCHES .005/.010 EDGE BROKEN THREADS PER MIL-S-7742 MACHINED SURFACE 63 MAX MACHINED INSIDE CORNER R.005 MAX TOLERANCE .XX: $\pm .01$ X/X: $\pm 1/64$.XXX: $\pm .005$ ANG: $\pm .5$		DWN BY SEAN LIN	3 28 07	DRAWING NUMBER	REV. N/C
		CHK BY		111159	
		APPR BY		DWG SIZE B	SCALE 3/2 SHEET 1 OF 1