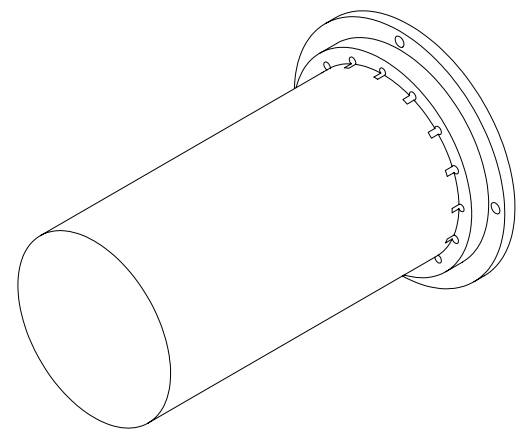
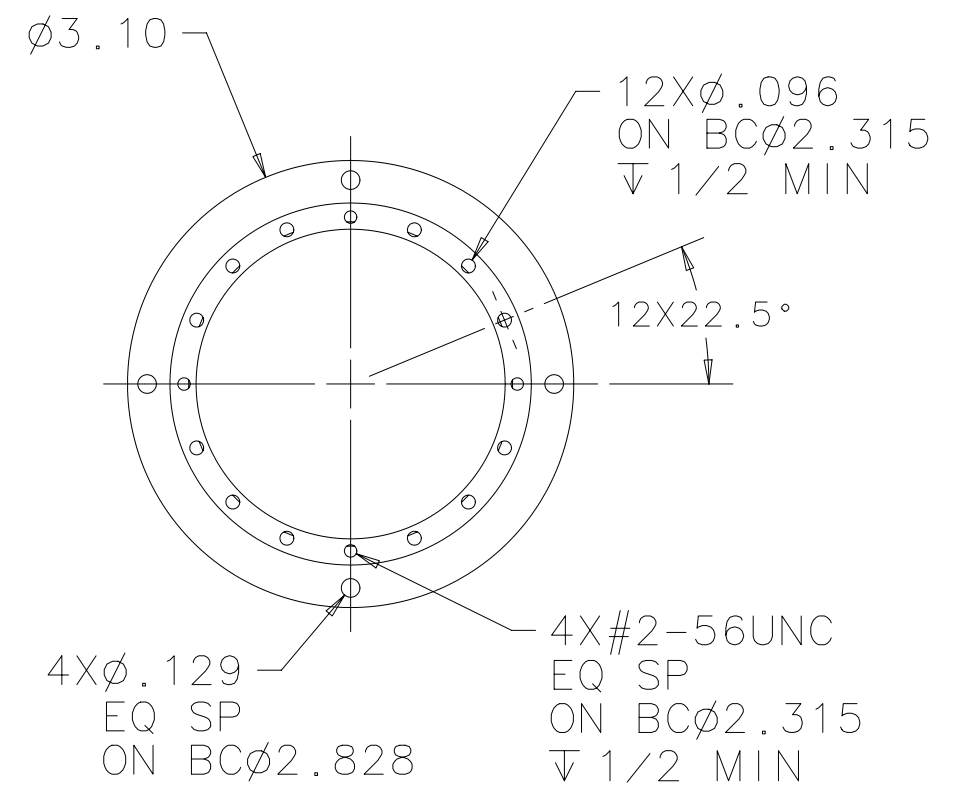
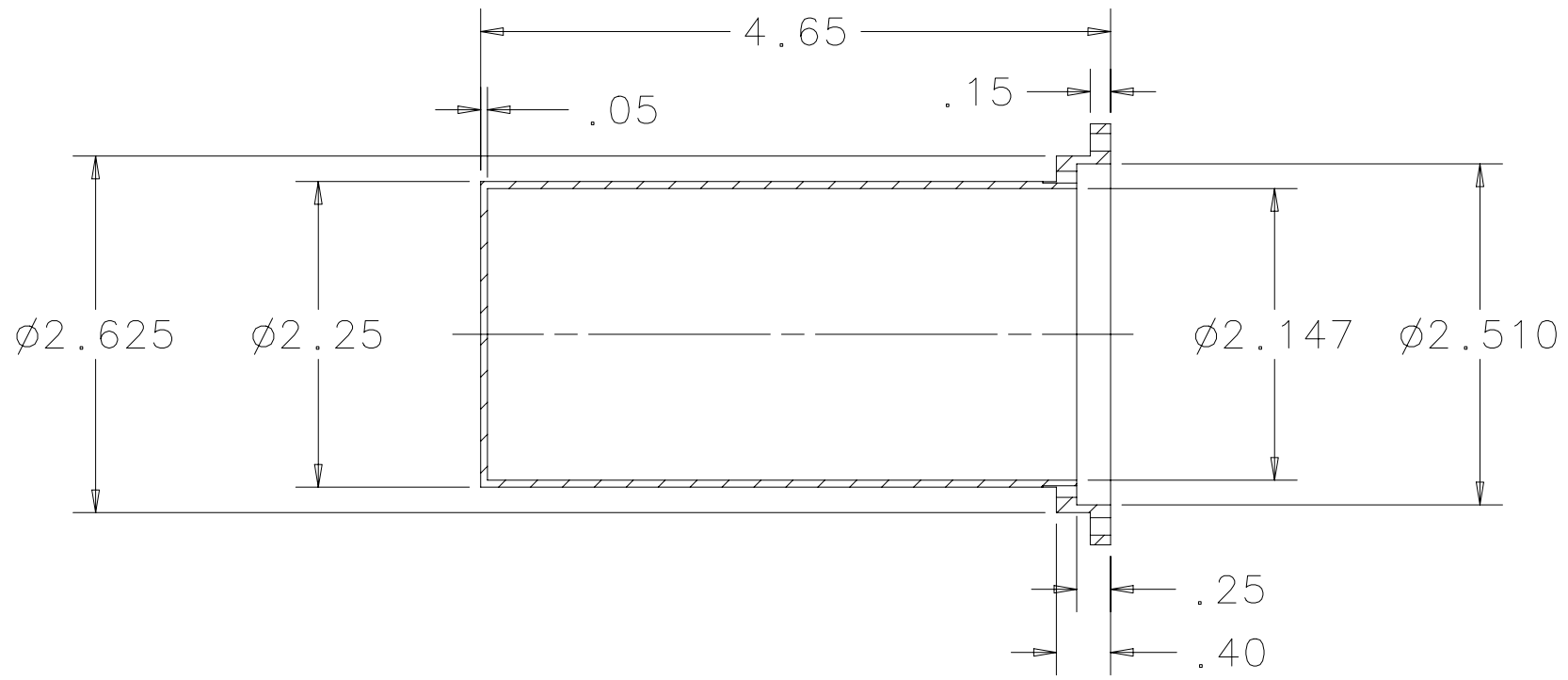


REV.	DESCRIPTION	APPROV.	DATE



1. MATERIAL: ALUMINUM ALLOY 6061-T651.

NOTE:

NEXT ASSEMBLY 017003

NIRES-D85			Infrared Physics CALIFORNIA INSTITUTE OF TECHNOLOGY Pasadena, California			
						UNLESS OTHERWISE SPECIFIED DIMENSIONS ARE IN INCHES .005/.010 EDGE BROKEN THREADS PER MIL-S-7742 MACHINED SURFACE 63 MAX MACHINED INSIDE CORNER R.005 MAX TOLERANCE .XX: ±.01 X/X: ±1/64 .XXX: ±.005 ANG: ±.5
DWN BY		SEAN LIN	3 28 07	DRAWING NUMBER	119019	REV. N/C
CHK BY				DWG SIZE B	SCALE 3/4	SHEET 1 OF 1
APPR BY						