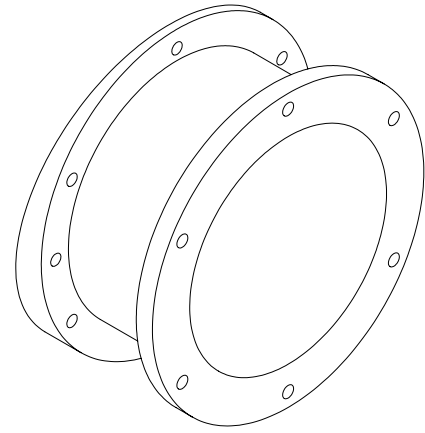
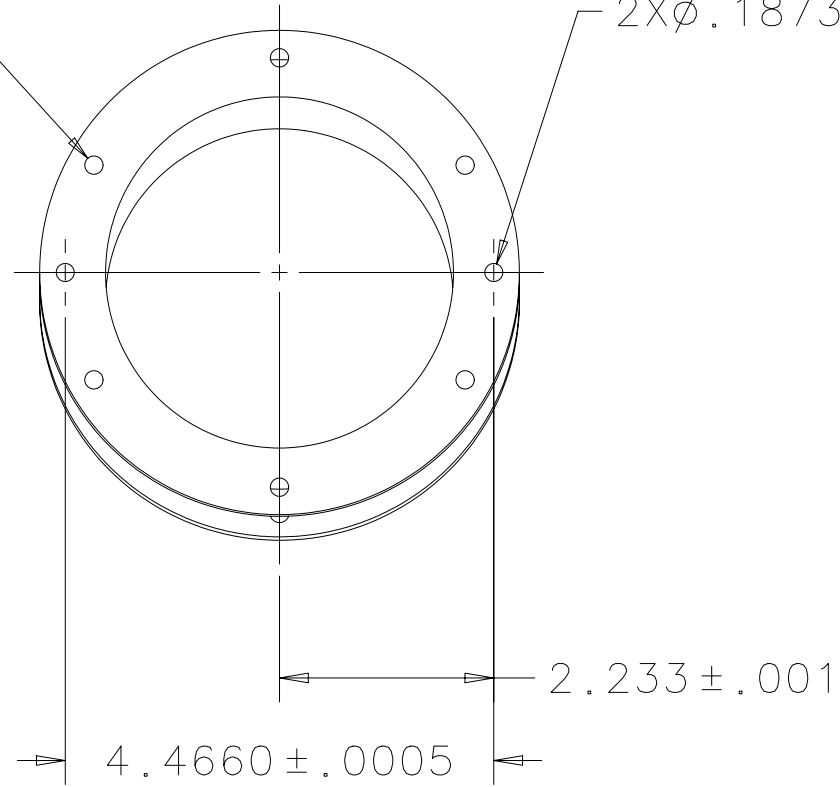


REV.	DESCRIPTION	APPROV.	DATE

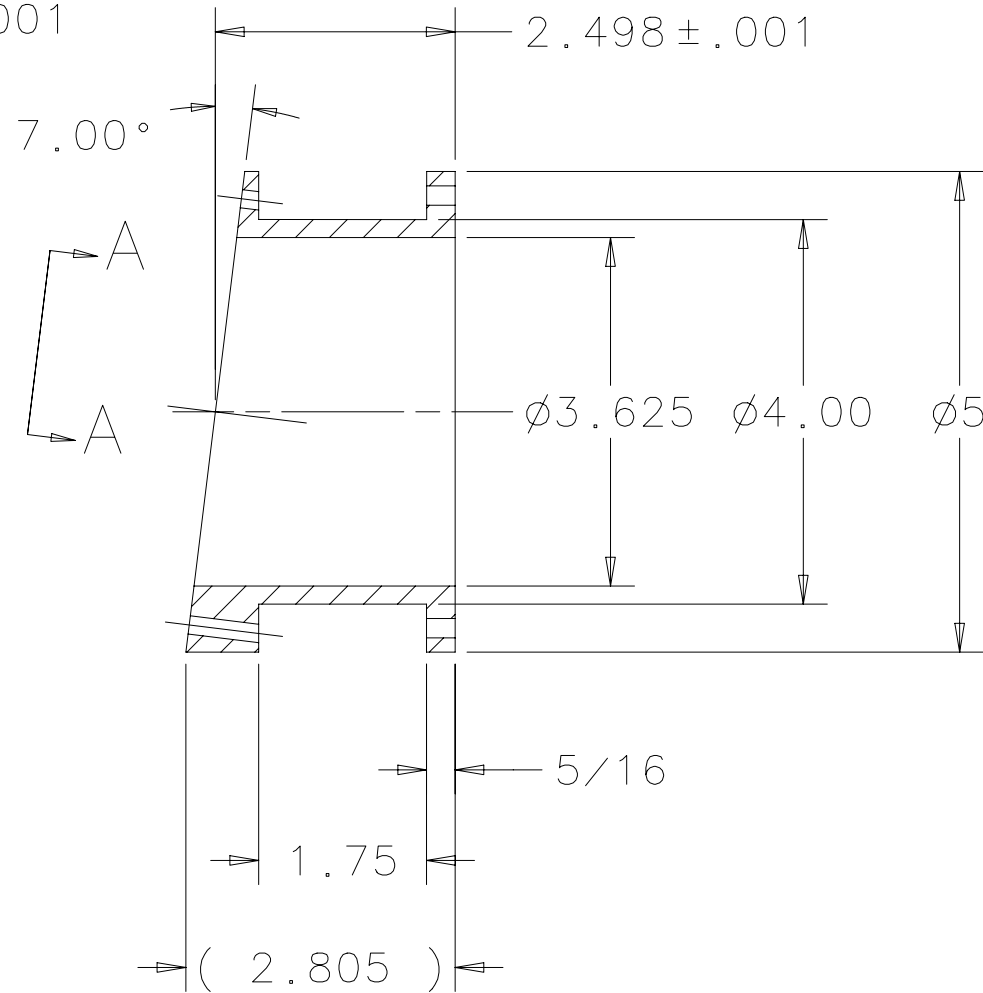


6X#10-32 EQ SP ON
BC ϕ 4.466

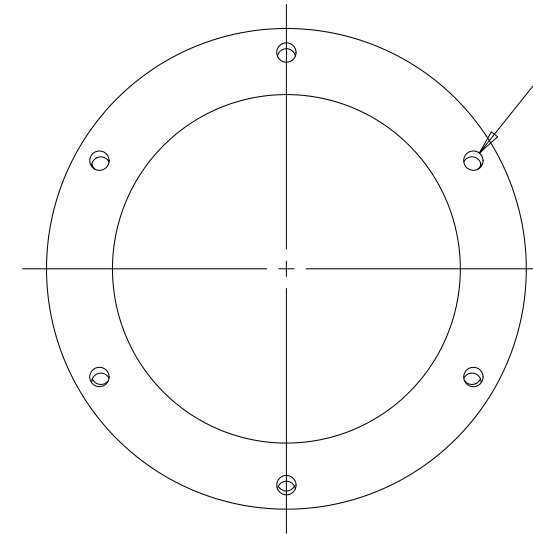
2X ϕ .1873^{+.0002}
 _{-.0001}



VIEW A - A



6X ϕ .201
EQ SP
ON BC ϕ 2.250



NIRES

Infrared Physics
CALIFORNIA INSTITUTE OF TECHNOLOGY
Pasadena, California

UNLESS OTHERWISE SPECIFIED
DIMENSIONS ARE IN INCHES
.005/.010 EDGE BROKEN
THREADS PER MIL-S-7742
MACHINED SURFACE 63 MAX
MACHINED INSIDE CORNER
R.005 MAX
TOLERANCE
.XX: \pm .01 X/X: \pm 1/64
.XXX: \pm .005 ANG: \pm .03

SIGNATURE		DATE
DWN BY	SEAN LIN	2 14 06
CHK BY		
APPR BY		

TITLE	GRATING ASSEMBLY MOUNT	
DRAWING NUMBER	060013	REV. N/C
DWG SIZE B	SCALE 1/2	SHEET 1 OF 1

1. MATERIAL: ALUMINUM ALLOY 6061-T651.

NOTE:

NEXT ASSEMBLY 006006