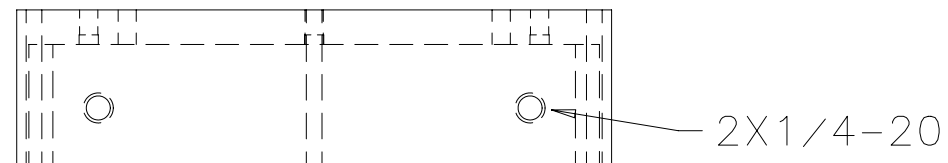
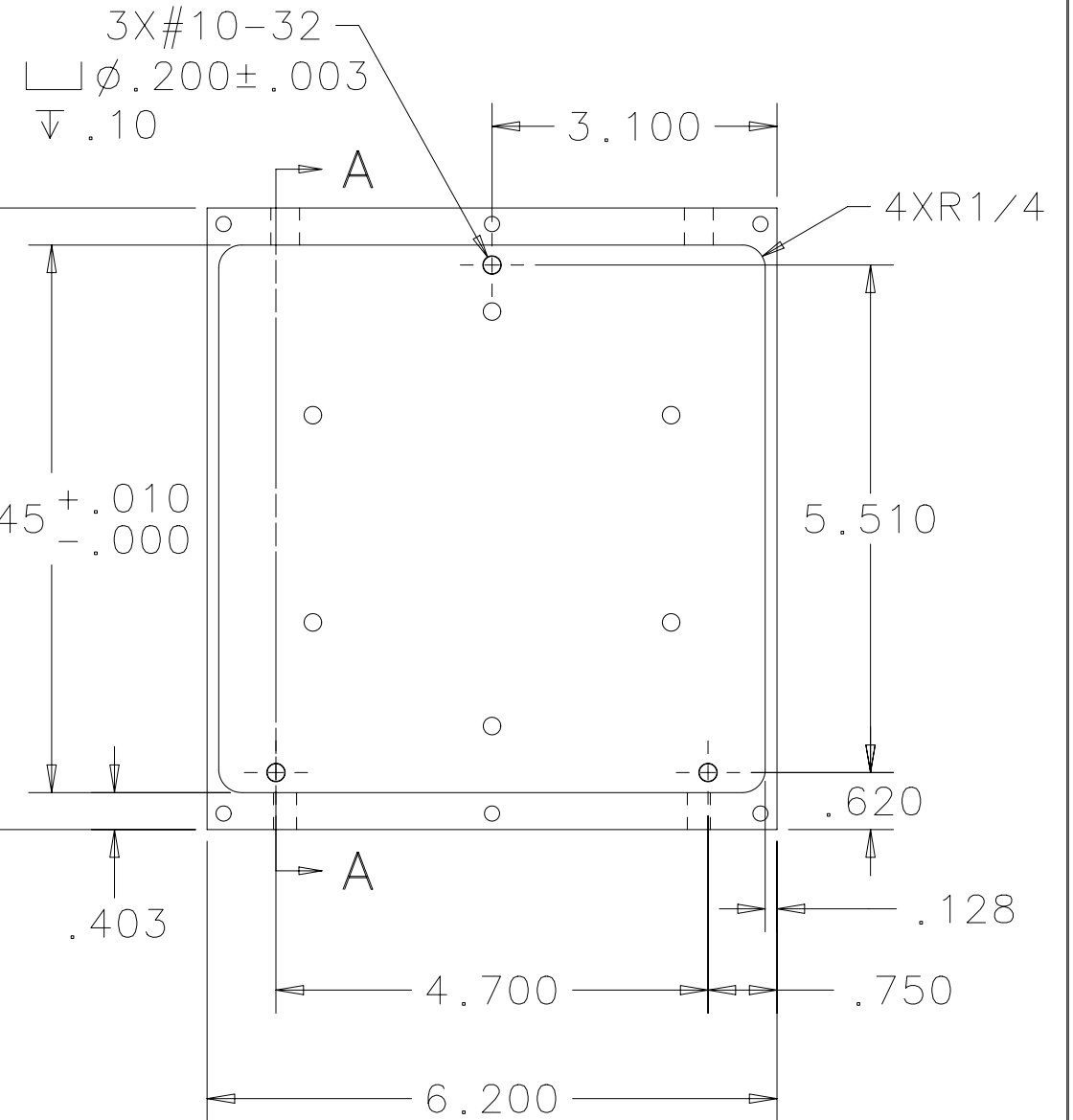
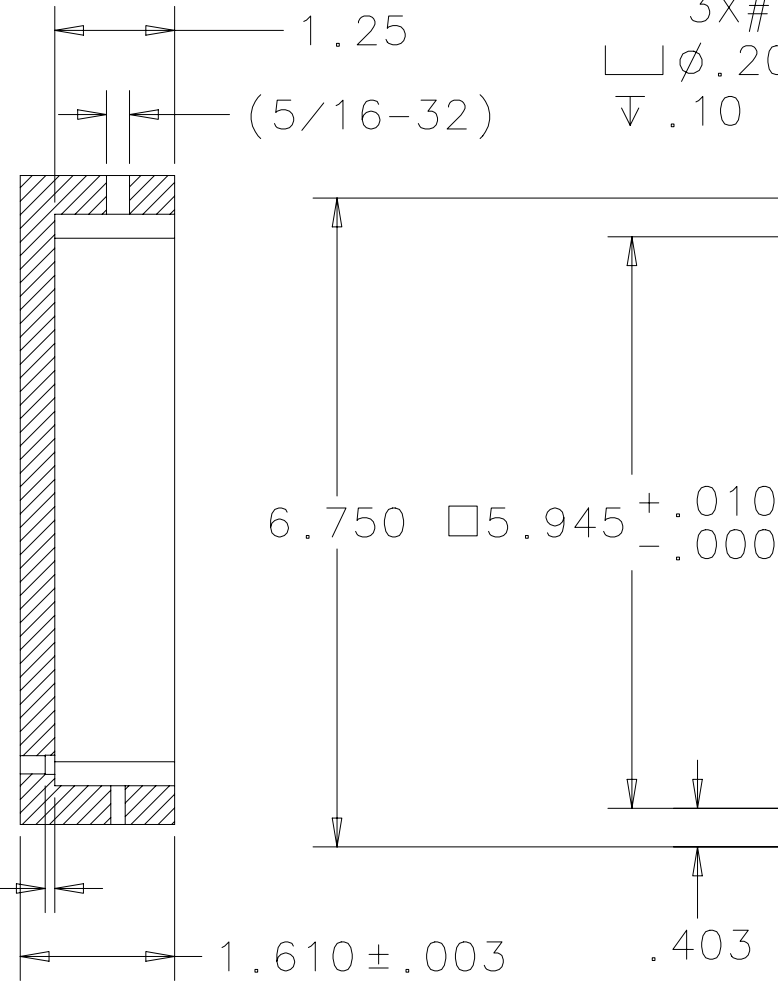
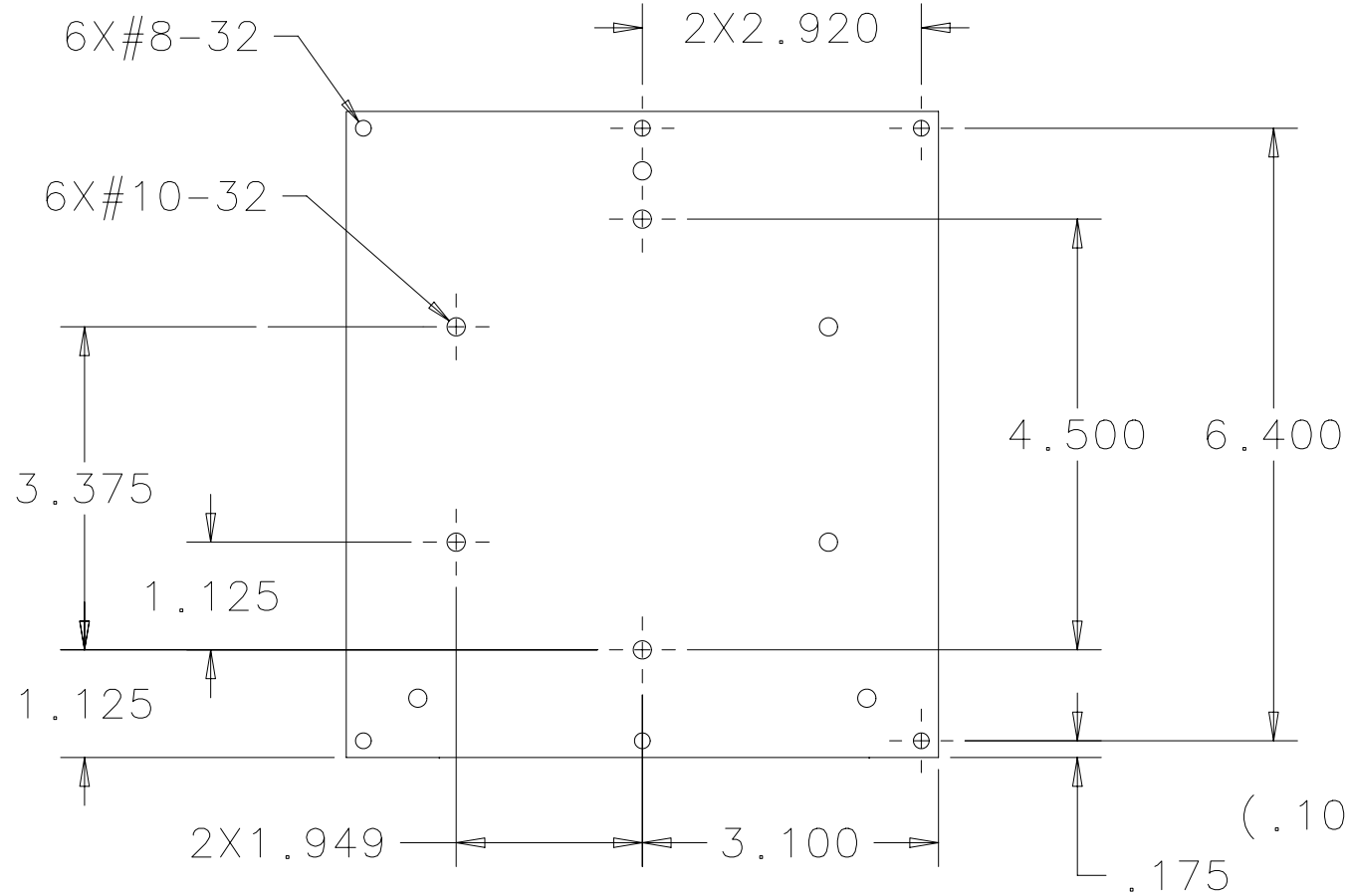
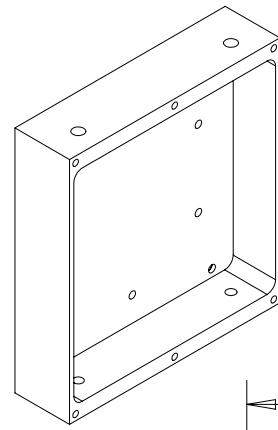
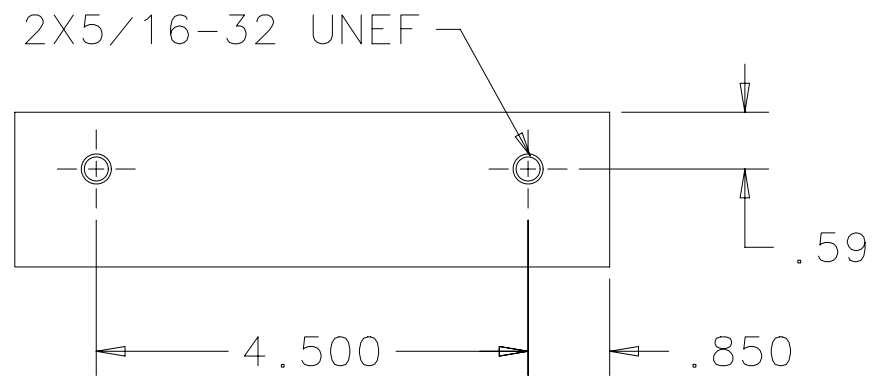


REV.	DESCRIPTION	APPROV.	DATE



1. MATERIAL: ALUMINUM ALLOY 6061-T651.

NOTE:

**NIRES**

Infrared Physics  
CALIFORNIA INSTITUTE OF TECHNOLOGY  
Pasadena, California

UNLESS OTHERWISE SPECIFIED  
DIMENSIONS ARE IN INCHES  
.005/.010 EDGE BROKEN  
THREADS PER MIL-S-7742  
MACHINED SURFACE 63 MAX  
MACHINED INSIDE CORNER  
R.005 MAX  
TOLERANCE  
.XX: ±.01 X/X: ±1/64  
.XXX: ±.005 ANG: ±.5

SIGNATURE		DATE
DWN BY	SEAN LIN	2 21 06
CHK BY		
APPR BY		

TITLE	GRATING HOLDER	
DRAWING NUMBER	060014	REV. N/C
DWG SIZE <b>B</b>	SCALE 1/2	SHEET 1 OF 1

NEXT ASSEMBLY 006006