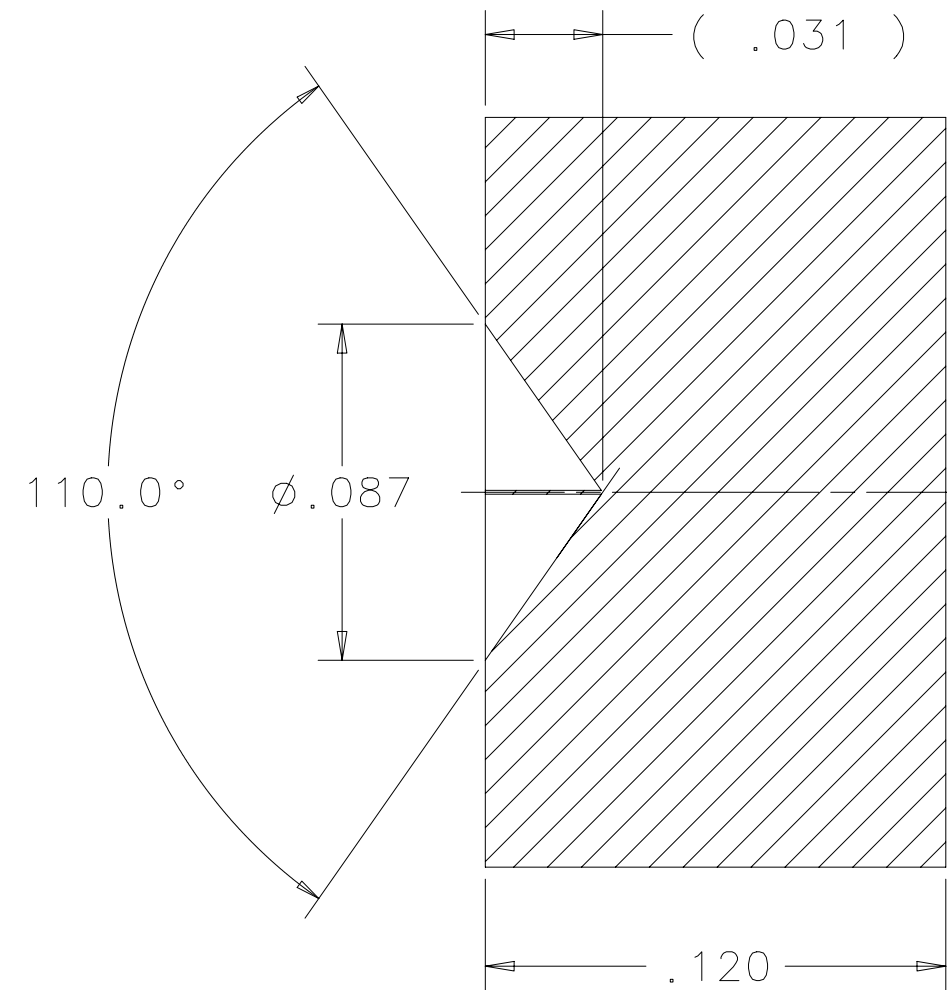
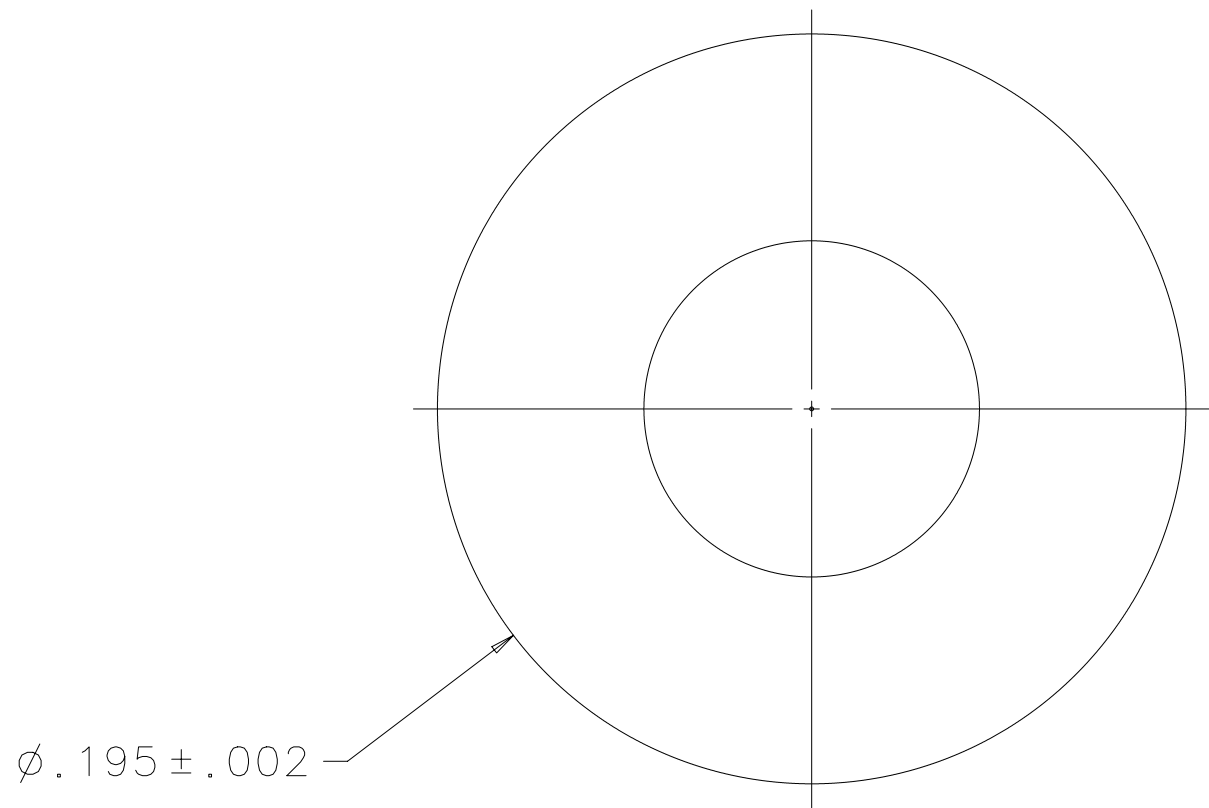


REV.	DESCRIPTION	APPROV.	DATE



1. MATERIAL: UHMW-PE - ULTRA HIGH MOLECULAR WEIGHT POLYETHYLENE.

NOTE:

NEXT ASSEMBLY 006006

# NIRES-D85

Infrared Physics  
CALIFORNIA INSTITUTE OF TECHNOLOGY  
Pasadena, California

UNLESS OTHERWISE SPECIFIED  
DIMENSIONS ARE IN INCHES  
.005/.010 EDGE BROKEN  
THREADS PER MIL-S-7742  
MACHINED SURFACE 63 MAX  
MACHINED INSIDE CORNER  
R.005 MAX  
TOLERANCE  
.XX: ±.01 X/X: ±1/64  
.XXX: ±.005 ANG: ±.5

SIGNATURE		DATE
DWN BY	SEAN LIN	2 1 06
CHK BY		
APPR BY		

TITLE	MIRROR PAD INSERT	
DRAWING NUMBER	680008	REV. N/C
DWG SIZE <b>B</b>	SCALE 20/1	SHEET 1 OF 1