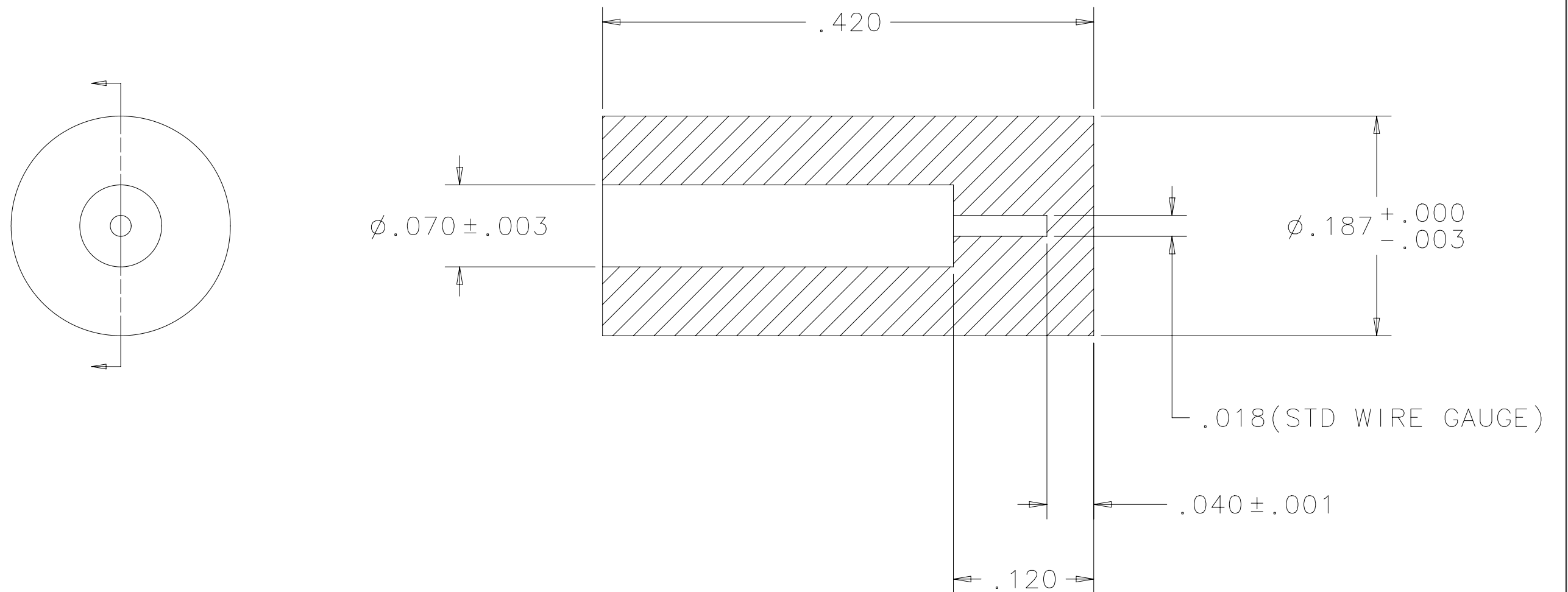


REV.	DESCRIPTION	APPROV.	DATE



- NOTE :
- HEAT TREATED TO ROCKWELL C36-40.
 - MATERIAL: AISI TYPE 416 STAINLESS STEEL.

NIRES-D85

Infrared Physics
 CALIFORNIA INSTITUTE OF TECHNOLOGY
 Pasadena, California

UNLESS OTHERWISE SPECIFIED
 DIMENSIONS ARE IN INCHES
 .005/.010 EDGE BROKEN
 THREADS PER MIL-S-7742
 MACHINED SURFACE 63 MAX
 MACHINED INSIDE CORNER
 R.005 MAX
 TOLERANCE
 .XX: $\pm .01$ X/X: $\pm 1/64$
 .XXX: $\pm .005$ ANG: $\pm .5$

SIGNATURE		DATE
DWN BY	SEAN LIN	2 1 06
CHK BY		
APPR BY		

TITLE	MIRROR PAD INSERT	
DRAWING NUMBER	680009	REV. N/C
DWG SIZE B	SCALE 10/1	SHEET 1 OF 1

NEXT ASSEMBLY 006006