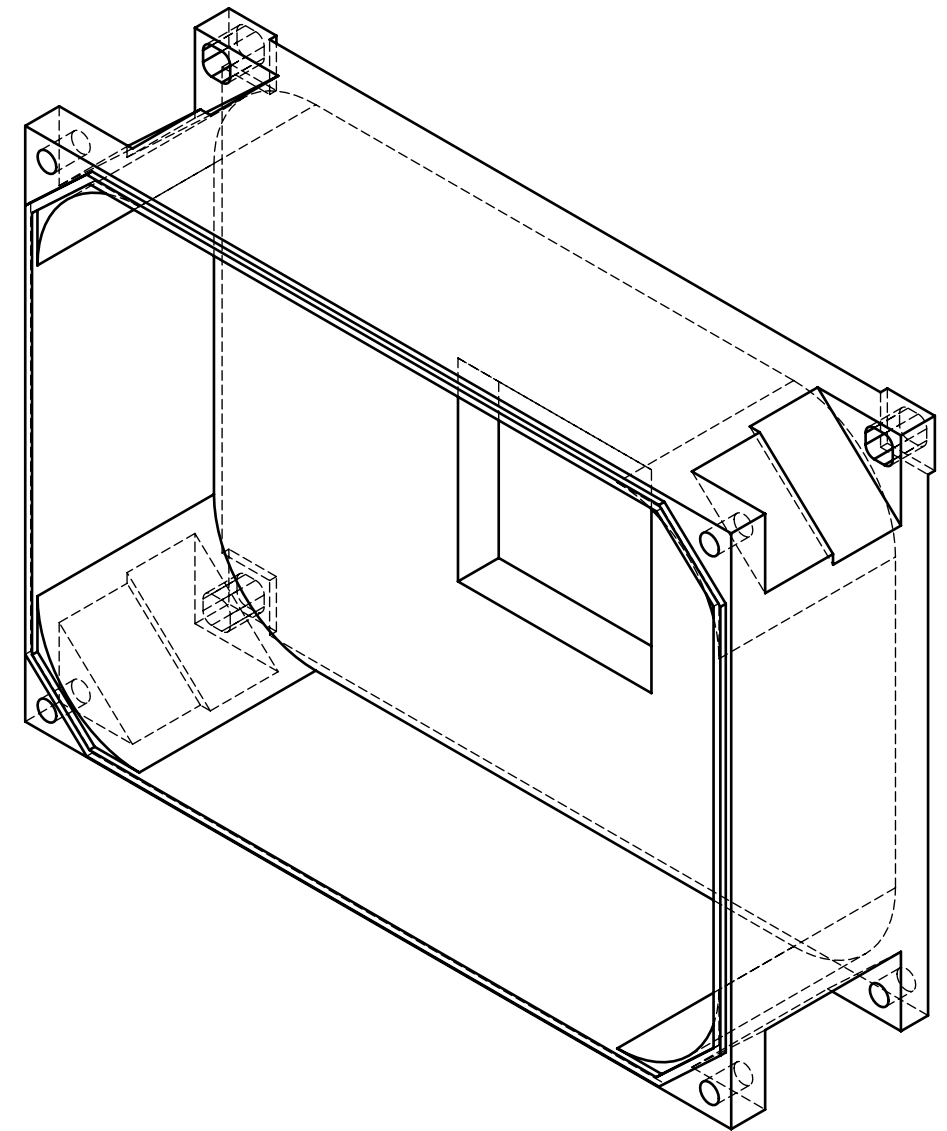
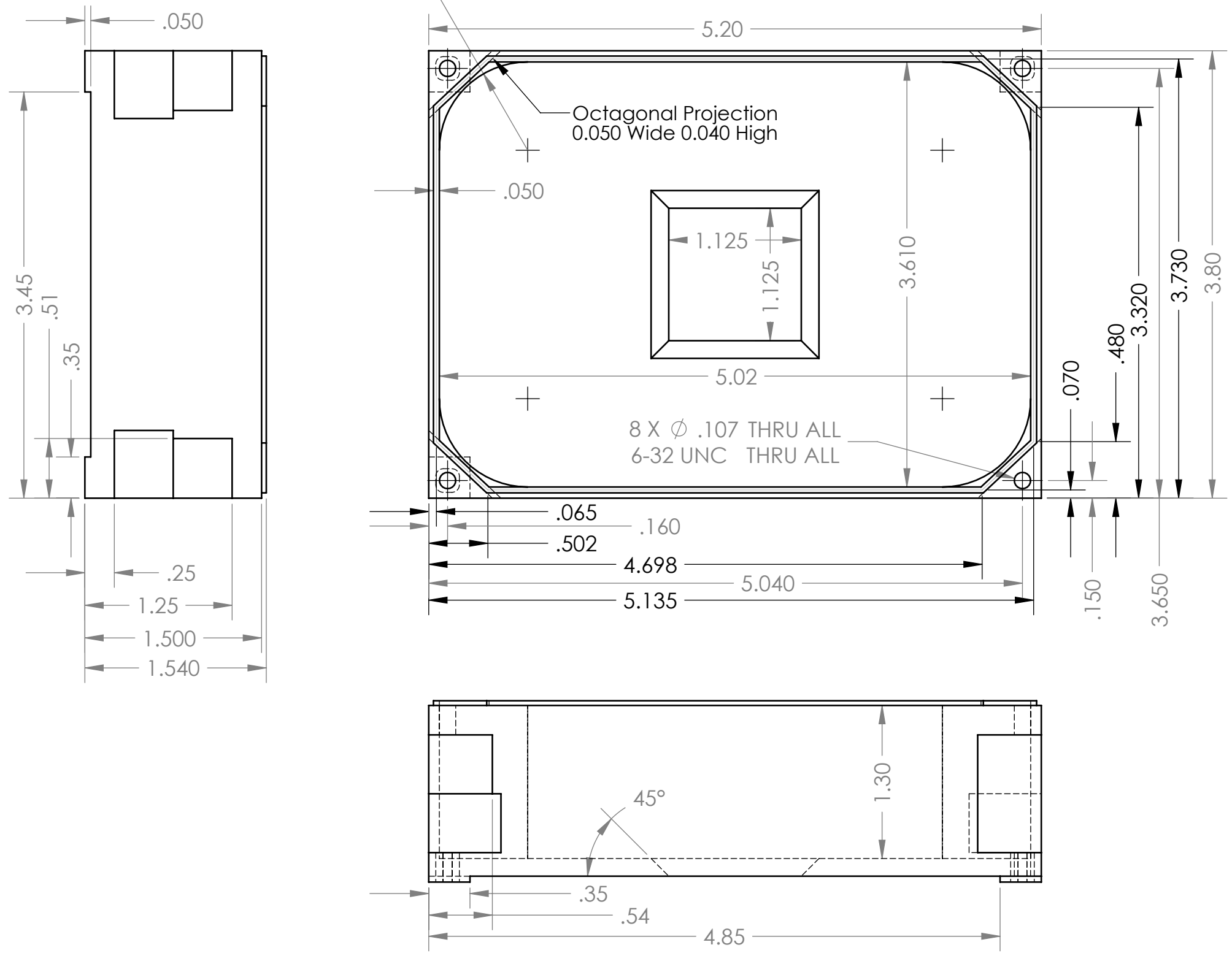


REVISIONS				
ZONE	REV.	DESCRIPTION	DATE	APPROVED
	0	INITIAL RELEASE.	?	?
	1	POST PRODUCTION MODS - SEE SHEET 3.	2/12/07	JCW

4 X R.75
Cut Out 1.30 Deep



UNLESS OTHERWISE SPECIFIED DIMENSIONS ARE IN INCHES, REMOVE BURS AND BREAK SHARP EDGES 0.005-0.010

TOLERANCES: .XX±.010 .XXX±.005
ANGLES ±0.5° UNLESS NOTED,
ALL SURFACES 64 UNLESS NOTED

MATERIAL: 6061-T6 ALUM
QTY: 3

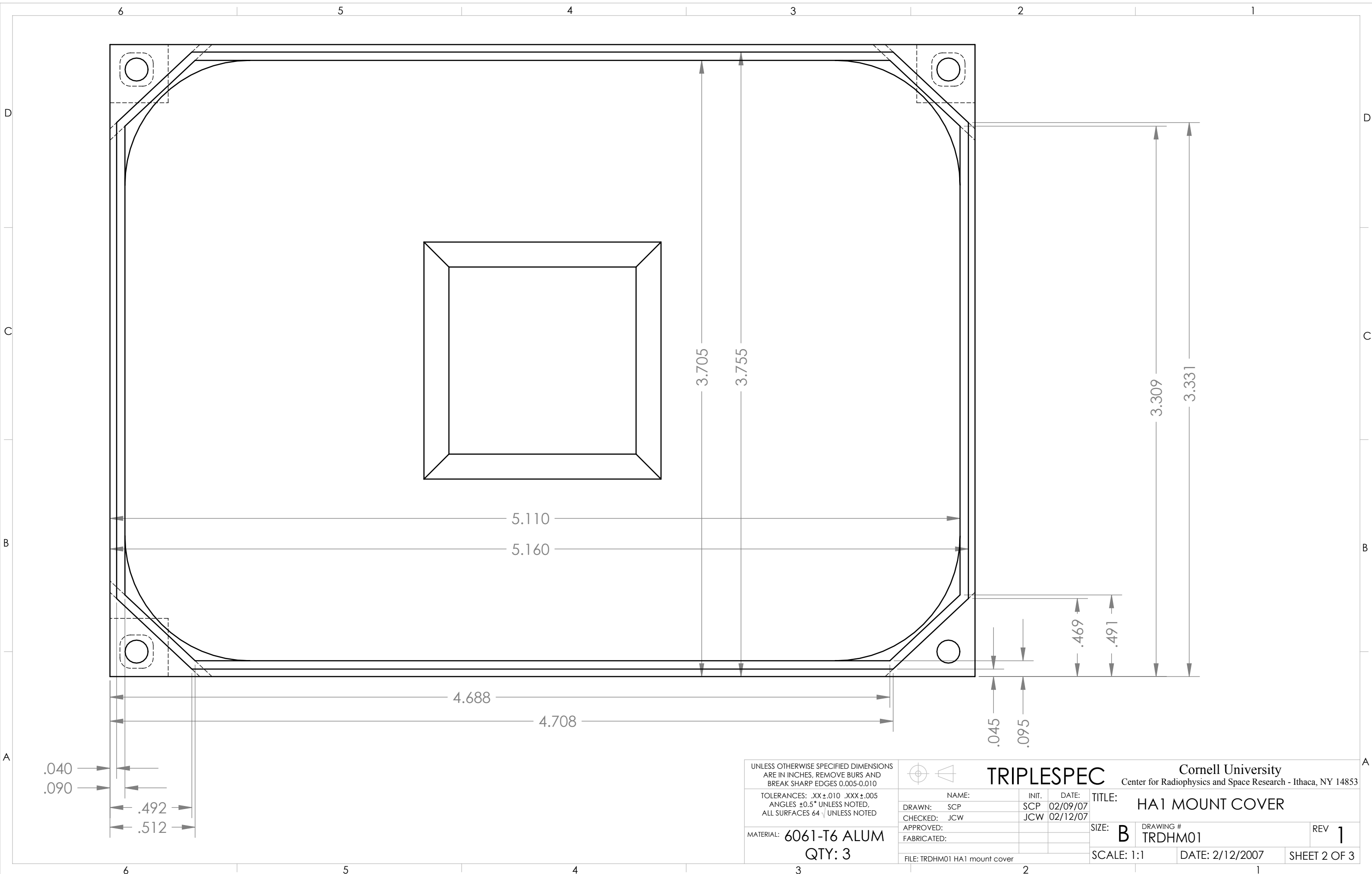
TRIPLESPEC

Cornell University
Center for Radiophysics and Space Research - Ithaca, NY 14853

NAME:	INIT.	DATE:	TITLE:
DRAWN: SCP	SCP	02/09/07	HA1 MOUNT COVER
CHECKED: JCW	JCW	02/12/07	SIZE: B
APPROVED:			DRAWING # TRDHM01
FABRICATED:			REV 1

FILE: TRDHM01 HA1 mount cover

SCALE: 1:1 DATE: 2/12/2007 SHEET 1 OF 3



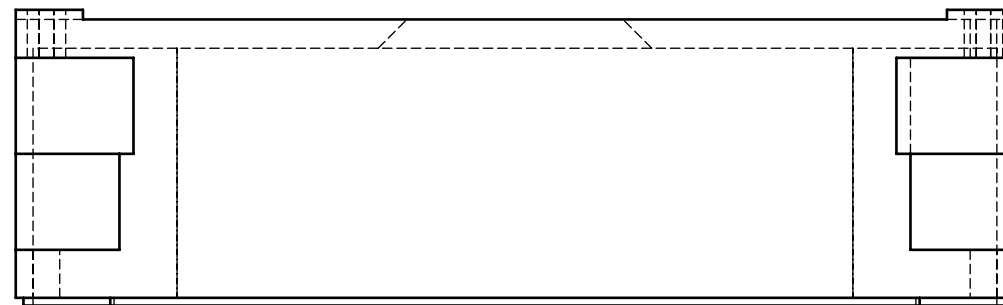
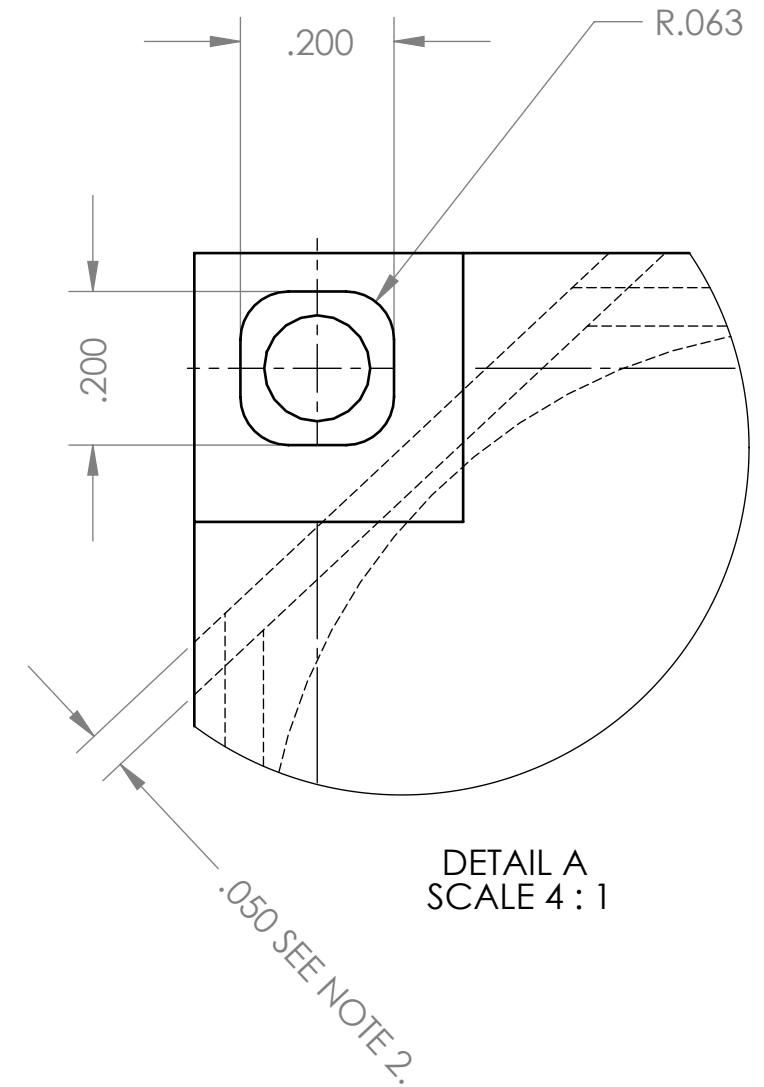
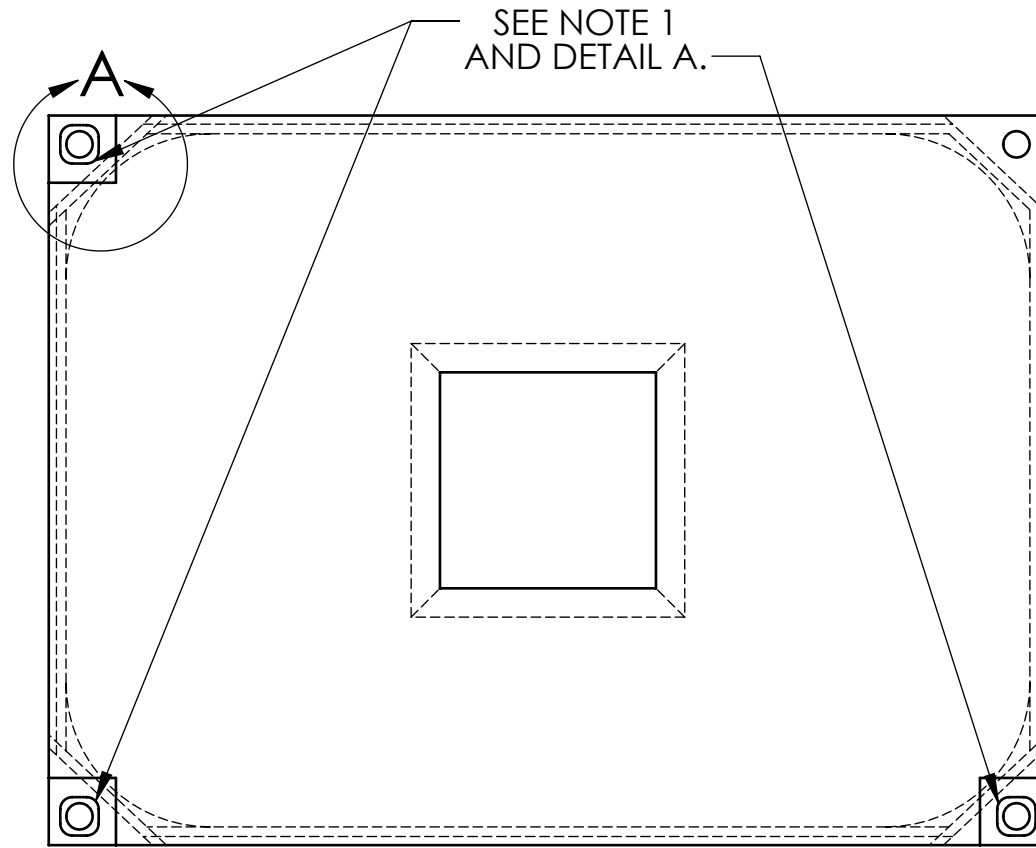
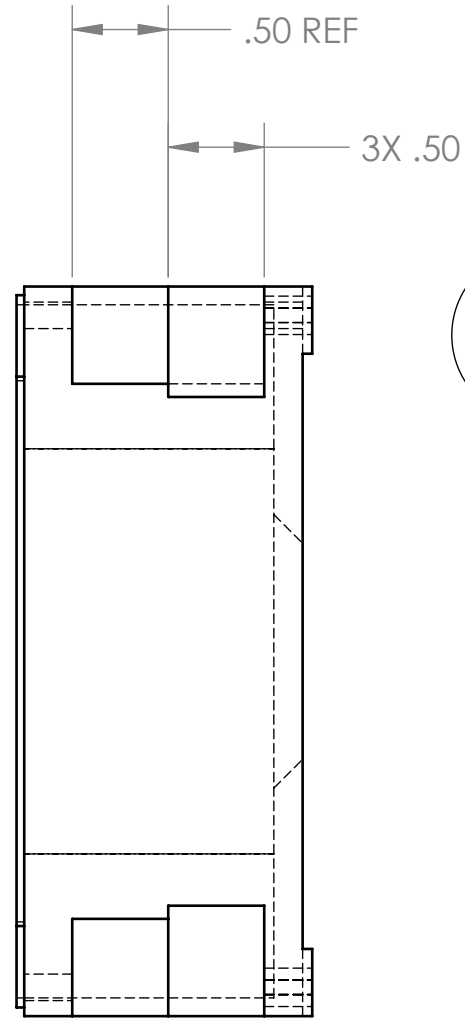
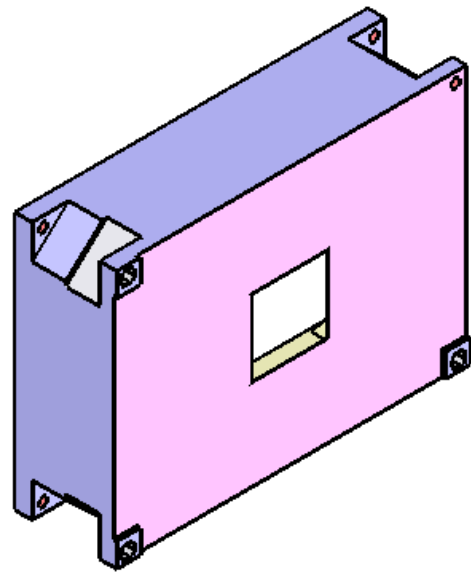
.040
 .090
 .492
 .512

UNLESS OTHERWISE SPECIFIED DIMENSIONS
 ARE IN INCHES, REMOVE BURS AND
 BREAK SHARP EDGES 0.005-0.010
 TOLERANCES: .XX±.010 .XXX±.005
 ANGLES ±0.5° UNLESS NOTED,
 ALL SURFACES 64 UNLESS NOTED
 MATERIAL: 6061-T6 ALUM
 QTY: 3

NAME:
 DRAWN: SCP
 CHECKED: JCW
 APPROVED:
 FABRICATED:
 FILE: TRDHM01 HA1 mount cover

INIT. DATE:
 SCP 02/09/07
 JCW 02/12/07

TRIPLESPEC Cornell University
 Center for Radiophysics and Space Research - Ithaca, NY 14853
 TITLE: HA1 MOUNT COVER
 SIZE: B DRAWING # TRDHM01 REV 1
 SCALE: 1:1 DATE: 2/12/2007 SHEET 2 OF 3



- POST PRODUCTION MODS:
1. CHANGE TO "SQUARE" HOLE IN BOTTOM FLANGE (3X).
 2. INCREASE CHAMFER DEPTH OVER BOTTOM HALF OF THE ORIGINAL CHAMFER (3X).

UNLESS OTHERWISE SPECIFIED DIMENSIONS ARE IN INCHES, REMOVE BURRS AND BREAK SHARP EDGES 0.005-0.010

TOLERANCES: .XX ± .010 .XXX ± .005
 ANGLES ± 0.5° UNLESS NOTED,
 ALL SURFACES 64 UNLESS NOTED

MATERIAL: 6061-T6 ALUM
 QTY: 3



NAME:	INIT.	DATE:
DRAWN: SCP	SCP	02/09/07
CHECKED: JCW	JCW	02/12/07
APPROVED:		
FABRICATED:		
FILE: TRDHM01 HA1 mount cover		

TRIPLESPEC

Cornell University
 Center for Radiophysics and Space Research - Ithaca, NY 14853

TITLE:	HA1 MOUNT COVER	
SIZE:	B	DRAWING # TRDHM01
SCALE:	1:1	DATE: 2/12/2007
		SHEET 3 OF 3

REV 1