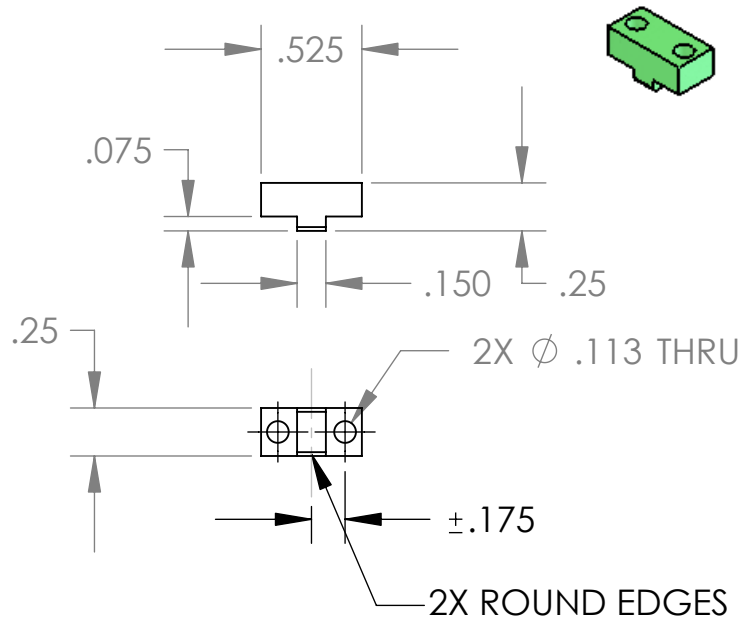
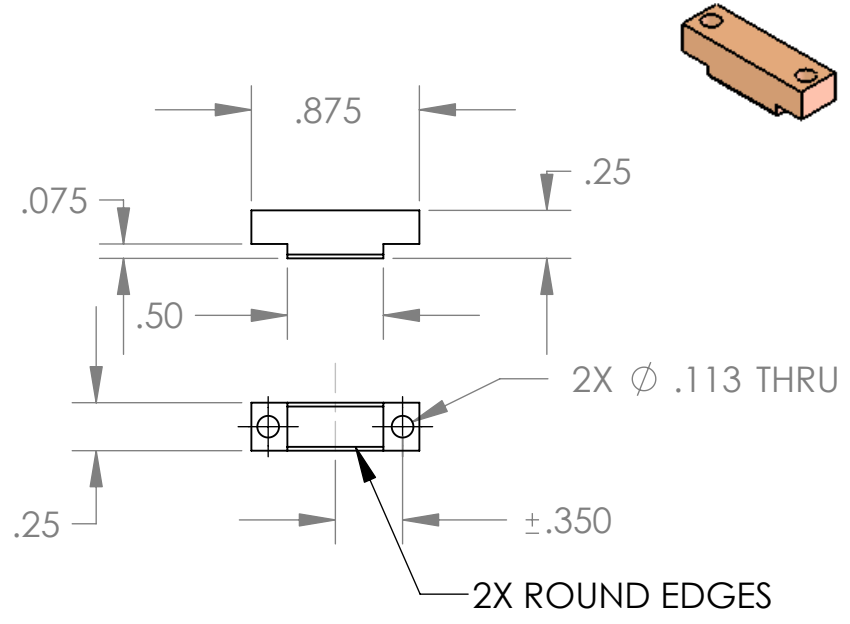
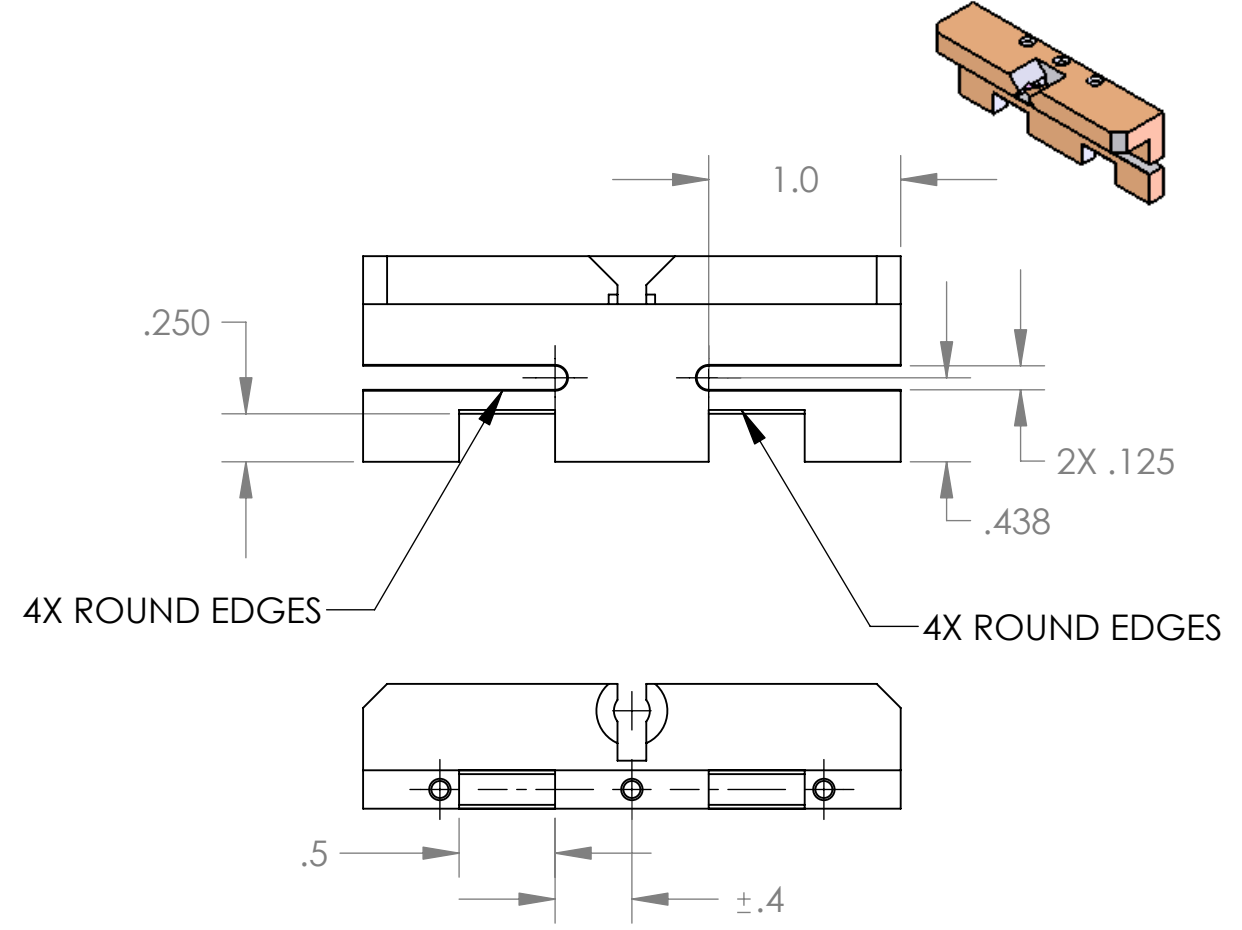
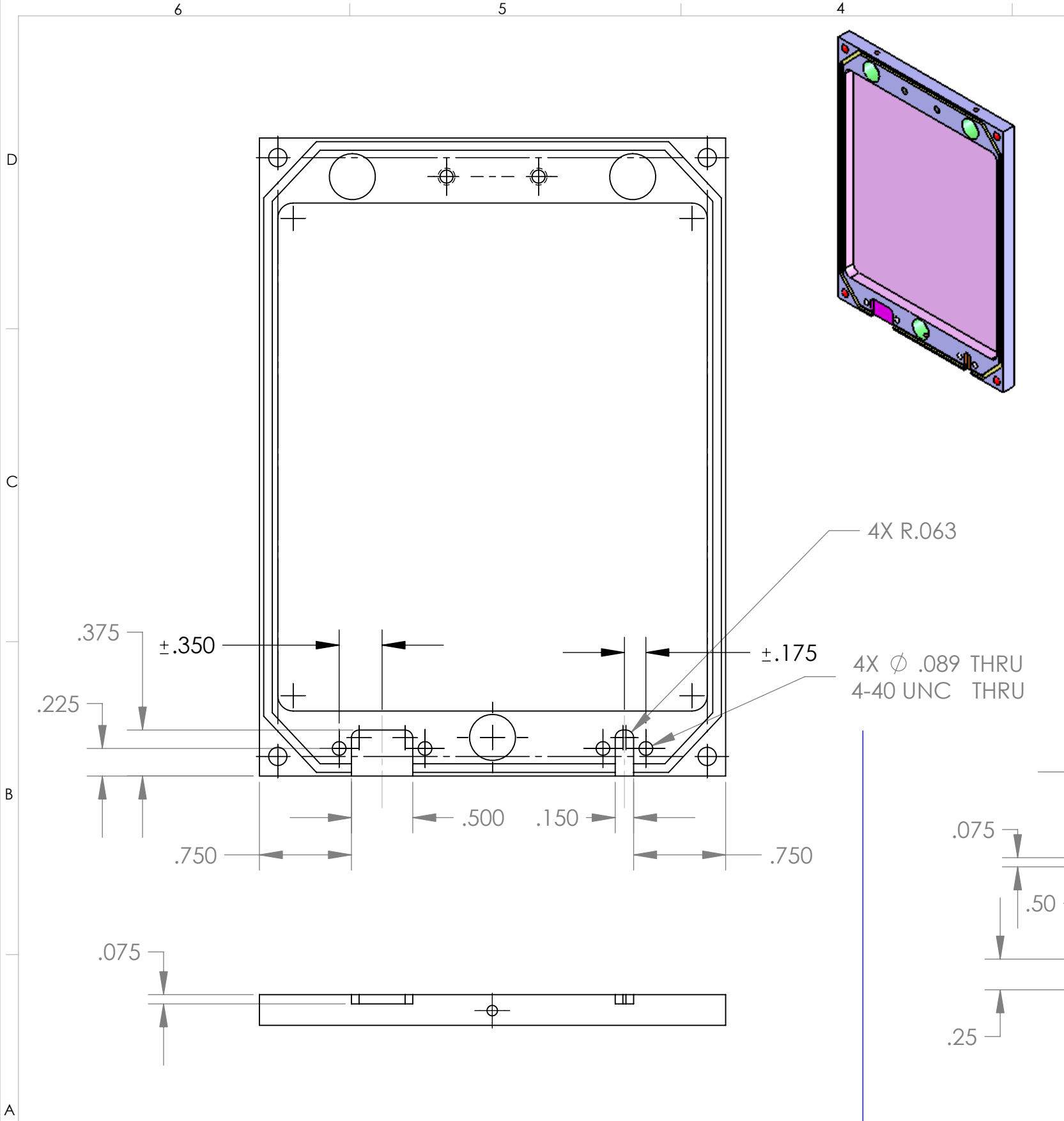


REVISIONS				
REV.	ZONE	DESCRIPTION	DATE	APPROVED
0		Initial Release.	8/31/2004	



UNLESS OTHERWISE SPECIFIED DIMENSIONS ARE IN INCHES, REMOVE BURRS AND BREAK SHARP EDGES 0.005-0.010
 TOLERANCES: .XX±.010 .XXX±.005
 ANGLES ±0.5° UNLESS NOTED, ALL SURFACES 64 UNLESS NOTED
 MATERIAL:

NAME: INIT. DATE: TITLE:
 DRAWN: CH
 CHECKED:
 APPROVED:
 FABRICATED:
 FILE: hawaii 1K Wire Exit Mod's

TRIPLESPEC Cornell University
 Center for Radiophysics and Space Research - Ithaca, NY 14853
 TITLE: Hawaii 1K Wire Exit Mod's
 SIZE: B DRAWING # REV 0
 SCALE: 1:1 DATE: 8/9/2006 SHEET 1 OF 1