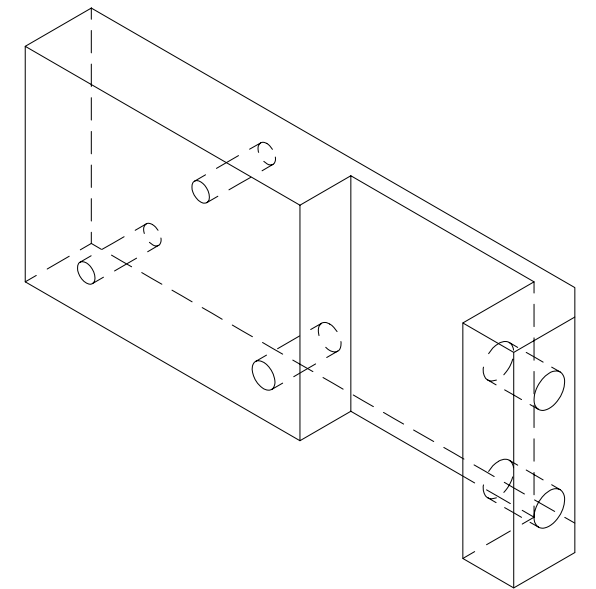
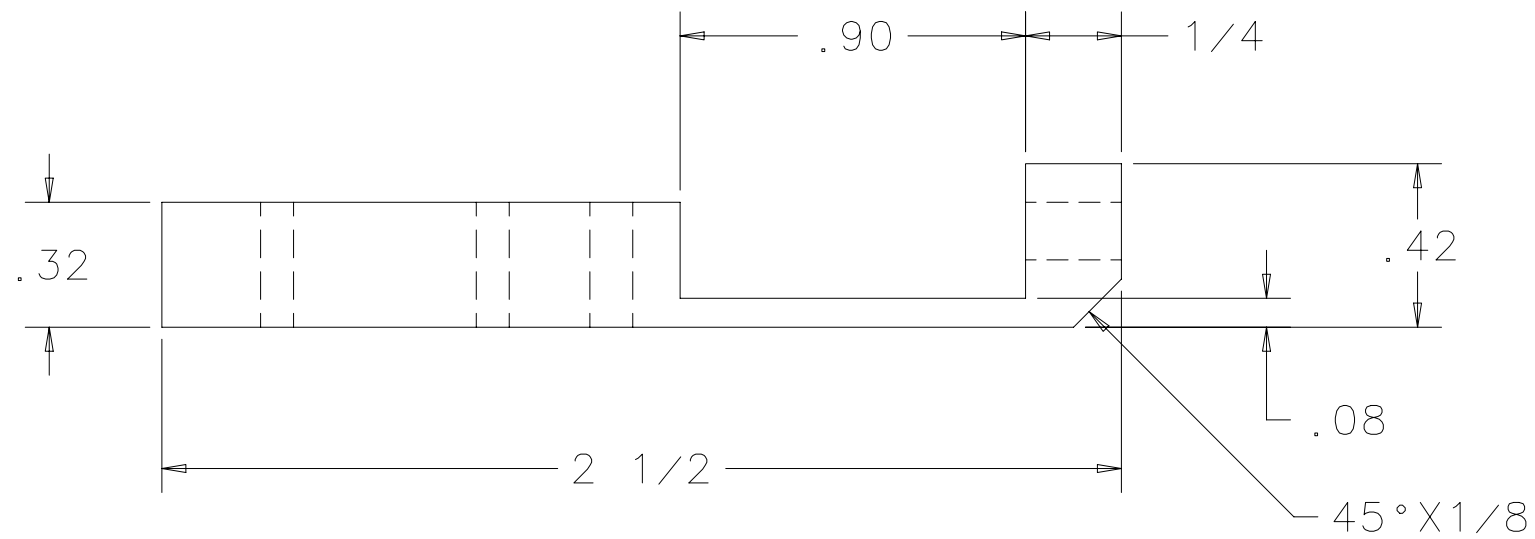
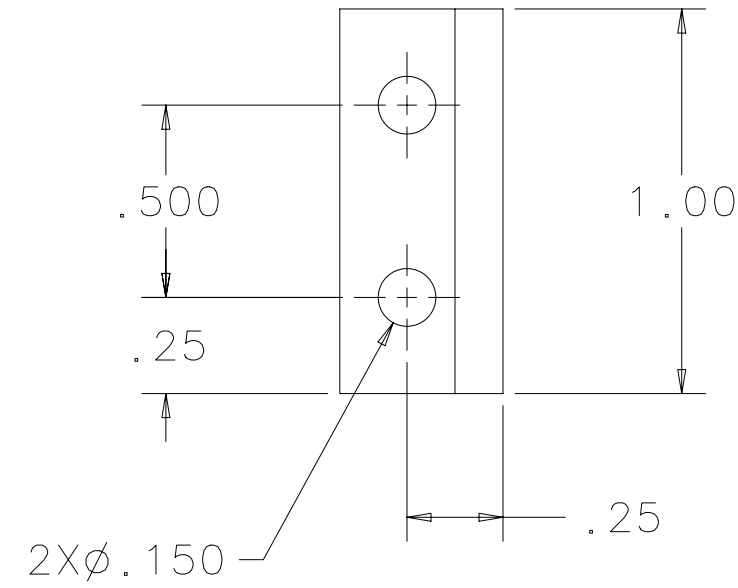
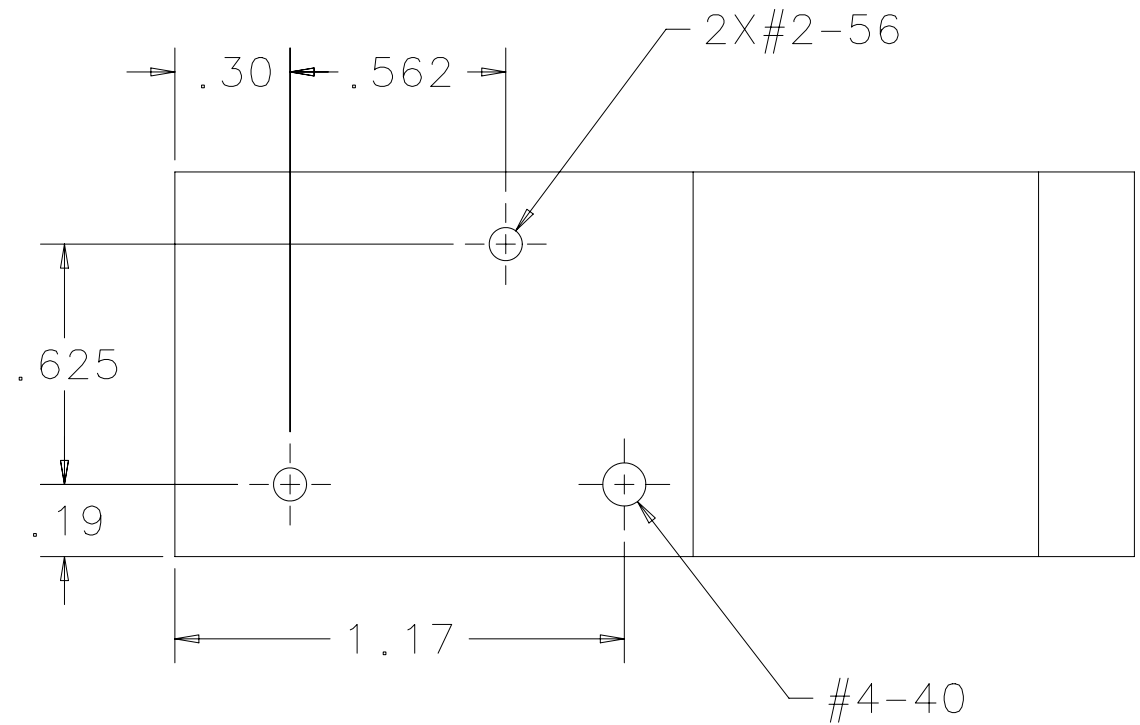


REV.	DESCRIPTION	APPROV.	DATE



1. MATERIAL: OFHC OXYGEN FREE HIGH CONDUCTIVITY COPPER CDA10100.

NOTE :

NIRES-D85

Infrared Physics
CALIFORNIA INSTITUTE OF TECHNOLOGY
Pasadena, California

UNLESS OTHERWISE SPECIFIED DIMENSIONS ARE IN INCHES .005/.010 EDGE BROKEN THREADS PER MIL-S-7742 MACHINED SURFACE 63 MAX MACHINED INSIDE CORNER R.005 MAX TOLERANCE .XX: ±.01 X/X: ±1/64 .XXX: ±.005 ANG:±.5	SIGNATURE		DATE	TITLE	COLD FINGER	
	DWN BY	SEAN LIN	2 2 07	DRAWING NUMBER	108020	REV. N/C
	CHK BY			DWG SIZE B	SCALE 2/1	SHEET 1 OF 1
	APPR BY					

NEXT ASSEMBLY 202004