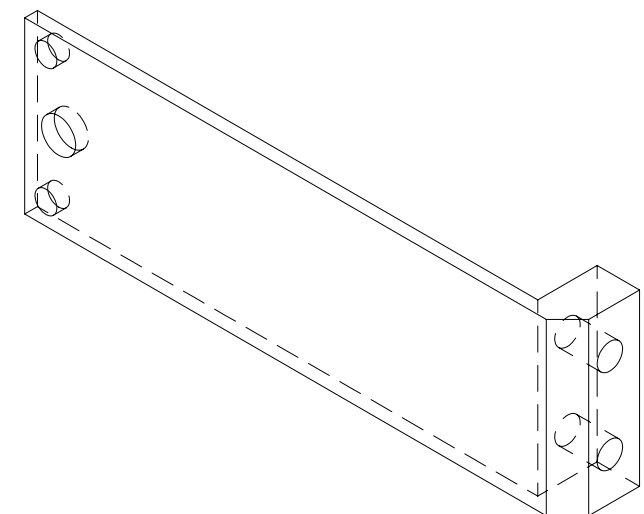
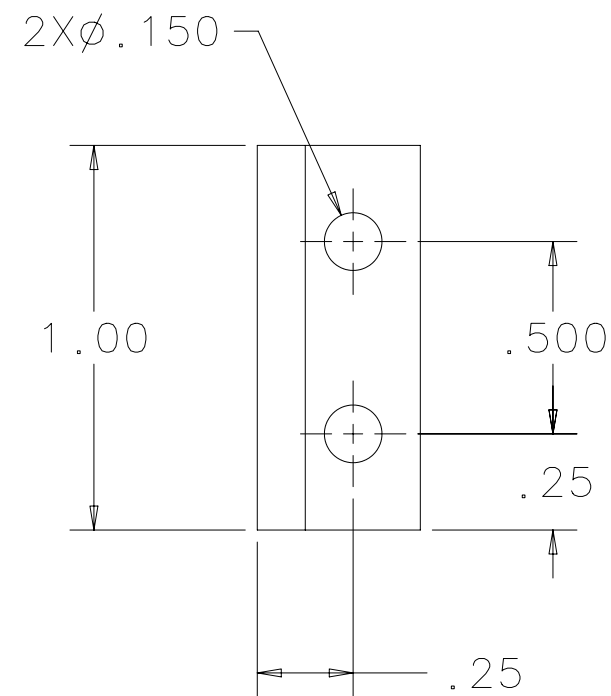
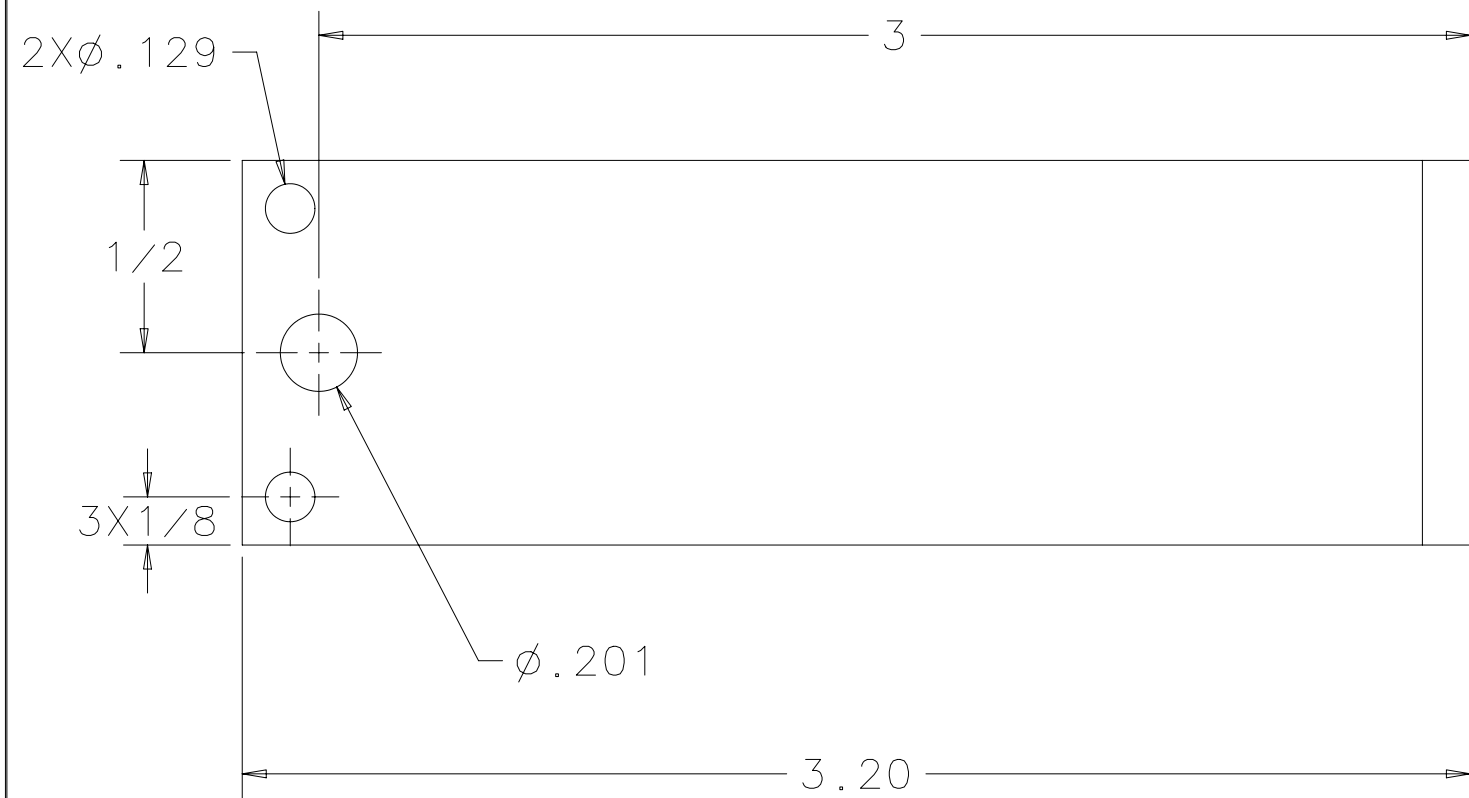


REV.	DESCRIPTION	APPROV.	DATE



**NIRES-D85** Infrared Physics  
 CALIFORNIA INSTITUTE OF TECHNOLOGY  
 Pasadena, California

UNLESS OTHERWISE SPECIFIED DIMENSIONS ARE IN INCHES .005/.010 EDGE BROKEN THREADS PER MIL-S-7742 MACHINED SURFACE 63 MAX MACHINED INSIDE CORNER R.005 MAX TOLERANCE .XX: ±.01 X/XX: ±1/64 .XXX: ±.005 ANG: ±.5	SIGNATURE		DATE	TITLE	COLD FINGER
	DWN BY	SEAN LIN	3 2 07	DRAWING NUMBER	108021
	CHK BY			DWG SIZE	<b>B</b>
	APPR BY			SCALE	2/1
				SHEET	1 OF 1
				REV.	N/C

1. MATERIAL: OFHC OXYGEN FREE HIGH CONDUCTIVITY COPPER CDA10100.

NOTE: NEXT ASSEMBLY 202004