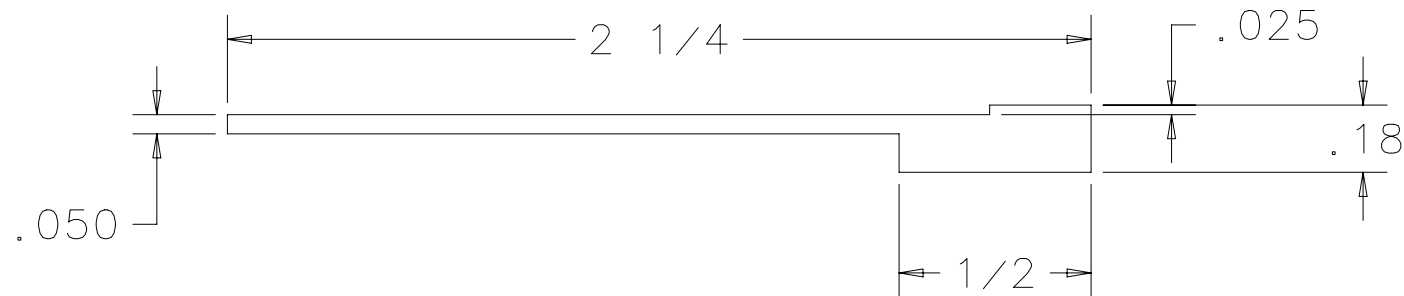
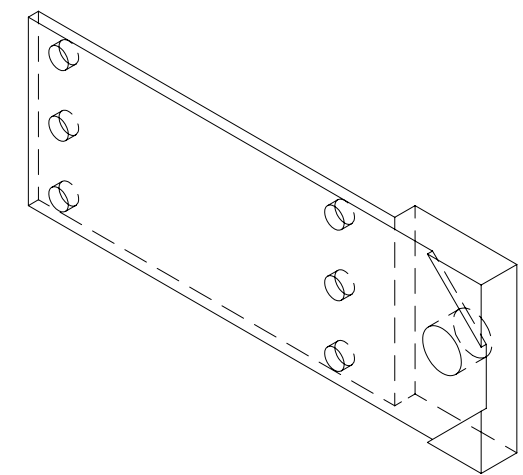
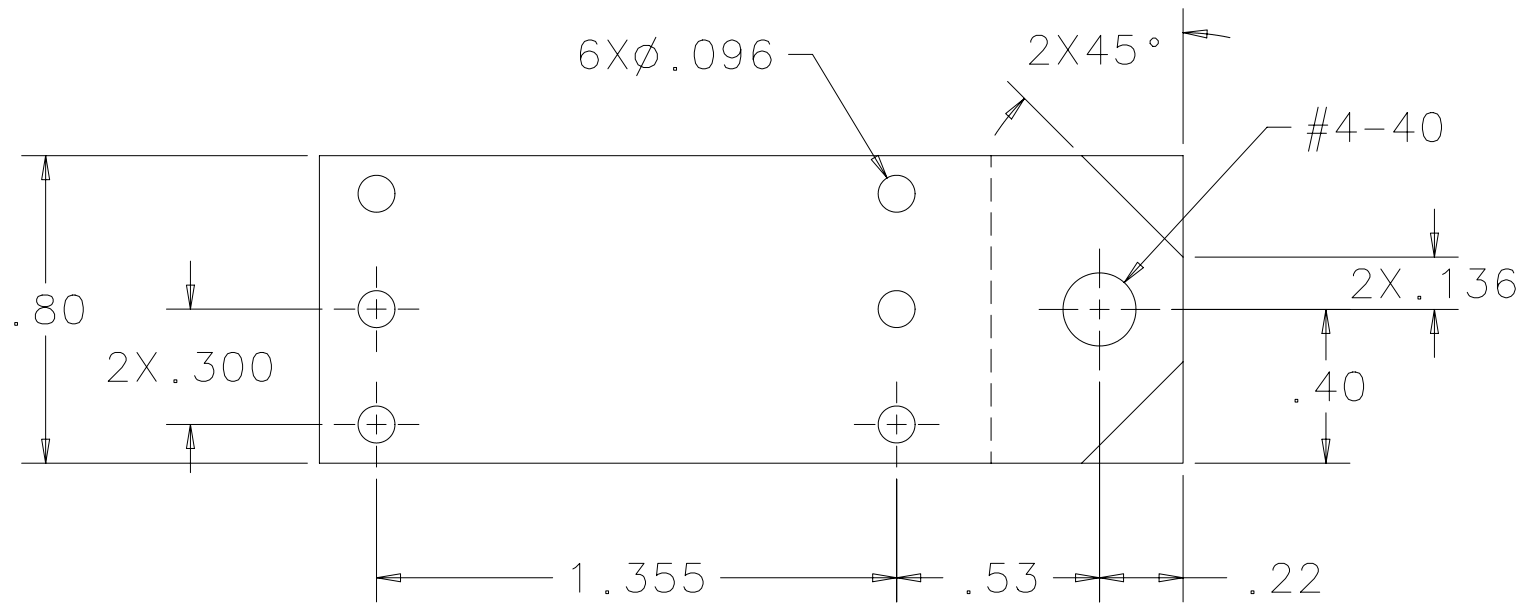


REV.	DESCRIPTION	APPROV.	DATE



1. MATERIAL: OFHC OXYGEN FREE HIGH CONDUCTIVITY COPPER CDA10100.

NOTE :

NEXT ASSEMBLY 202004

<b>NIRES-D85</b>		Infrared Physics CALIFORNIA INSTITUTE OF TECHNOLOGY Pasadena, California			
		SIGNATURE	DATE	TITLE	COLD FINGER
UNLESS OTHERWISE SPECIFIED DIMENSIONS ARE IN INCHES .005/.010 EDGE BROKEN THREADS PER MIL-S-7742 MACHINED SURFACE 63 MAX MACHINED INSIDE CORNER R.005 MAX TOLERANCE .XX: ±.01 X/X: ±1/64 .XXX: ±.005 ANG: ±.5	DWN BY	SEAN LIN	3 2 07	DRAWING NUMBER	108022
	CHK BY			REV.	N/C
	APPR BY			DWG SIZE <b>B</b>	SCALE 2/1 SHEET 1 OF 1