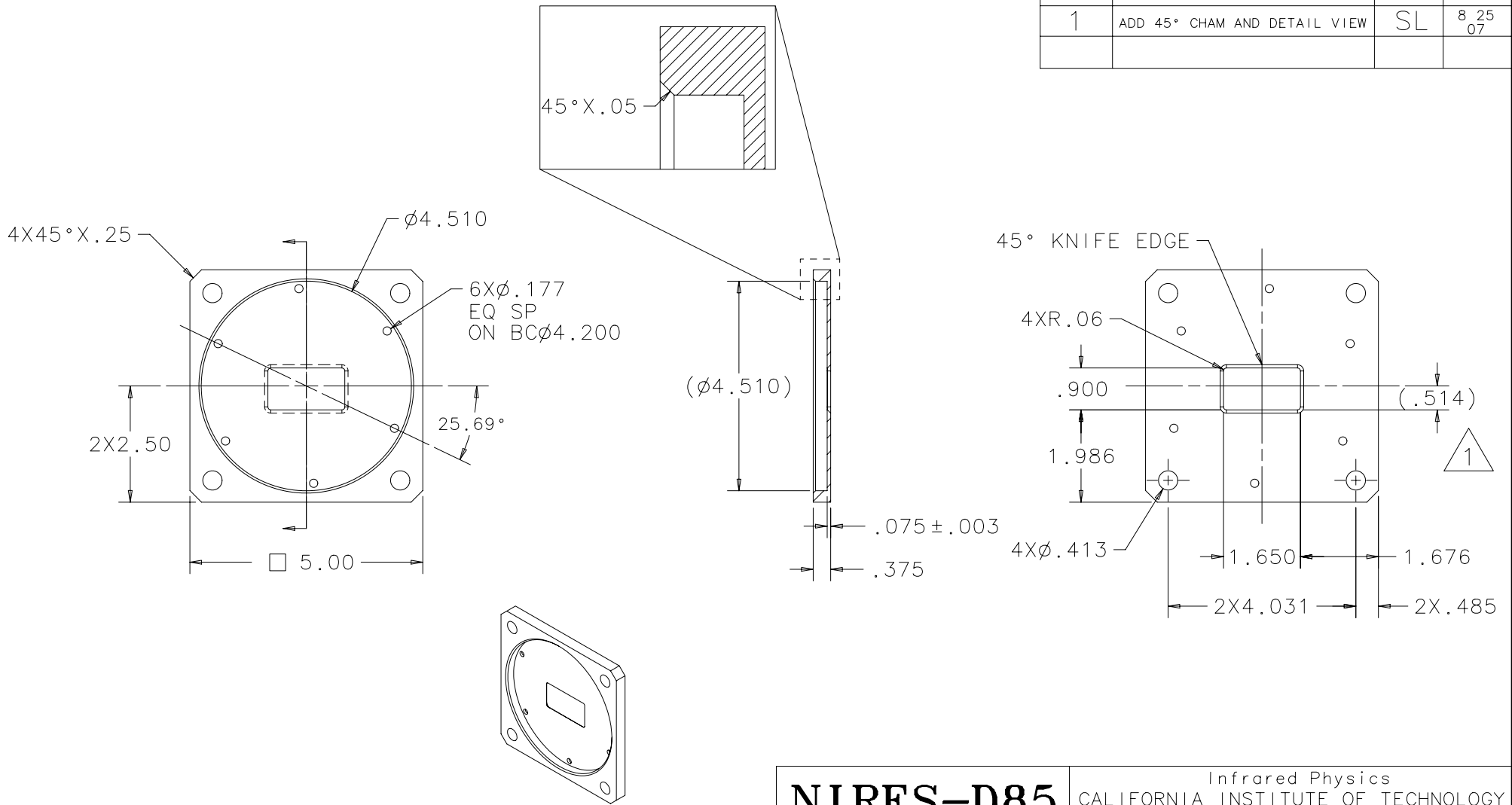


| REV. | DESCRIPTION                  | APPROV. | DATE       |
|------|------------------------------|---------|------------|
| 1    | ADD 45° CHAM AND DETAIL VIEW | SL      | 8 25<br>07 |



1. MATERIAL: ALUMINUM ALLOY 6061-T651.

NOTE:

NEXT ASSEMBLY 011005

|  |  |  |           |                   |                |
|--|--|--|-----------|-------------------|----------------|
| <b>NIRES-D85</b>   |  | Infrared Physics<br>CALIFORNIA INSTITUTE OF TECHNOLOGY<br>Pasadena, California |           |                   |                |
|  |  | SIGNATURE  | DATE      | TITLE             | DETECTOR MOUNT |
| UNLESS OTHERWISE SPECIFIED<br>DIMENSIONS ARE IN INCHES<br>.005/.010 EDGE BROKEN<br>THREADS PER MIL-S-7742<br>MACHINED SURFACE 63 MAX<br>MACHINED INSIDE CORNER<br>R.005 MAX<br>TOLERANCE<br>.XX: ±.01 X/X: ±1/64<br>.XXX: ±.005 ANG: ±.5 |  | DWN BY<br>SEAN<br>LIN  | 9 9<br>06 | DRAWING<br>NUMBER | 112117         |
|  |  | CHK BY   |           | DWG SIZE <b>B</b> | SCALE 1/2      |
|  |  | APPR BY  |           | SHEET 1 OF 1      |                |

REV.  
1