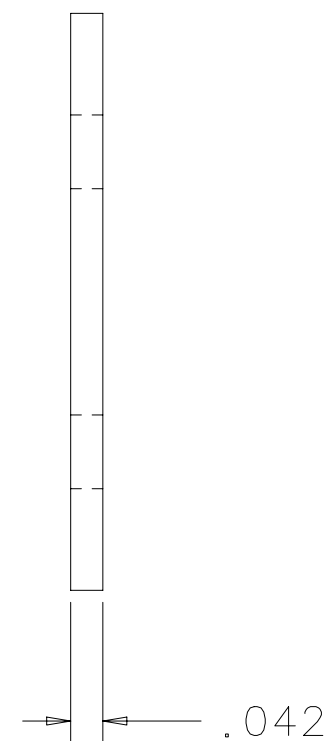
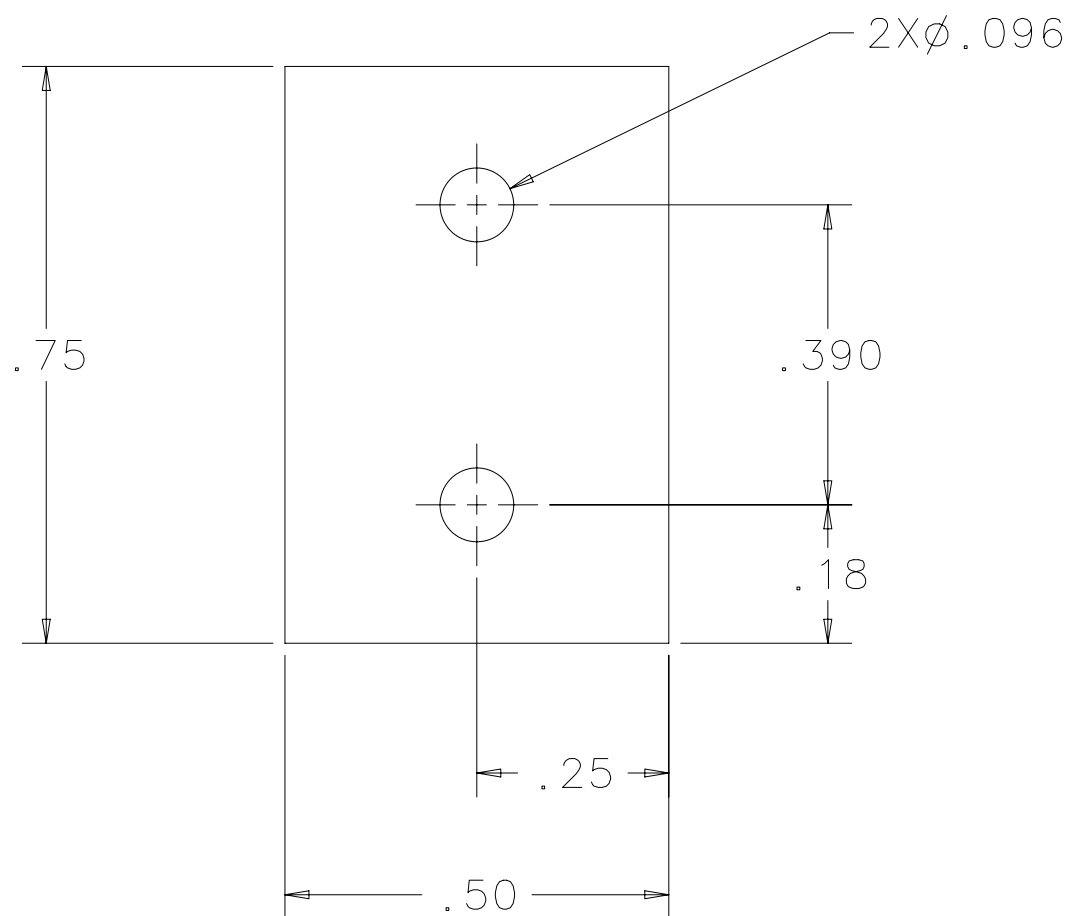


REV.	DESCRIPTION	APPROV.	DATE



1. MATERIAL: ALUMINUM ALLOY 6061-T651.

NOTE:

NEXT ASSEMBLY 011005

<b>NIRES-D85</b>			Infrared Physics CALIFORNIA INSTITUTE OF TECHNOLOGY Pasadena, California			
			SIGNATURE		DATE	TITLE
UNLESS OTHERWISE SPECIFIED DIMENSIONS ARE IN INCHES .005/.010 EDGE BROKEN THREADS PER MIL-S-7742 MACHINED SURFACE 63 MAX MACHINED INSIDE CORNER R.005 MAX TOLERANCE .XX: ±.01 X/X: ±1/64 .XXX: ±.005 ANG: ±.5		DWN BY	SEAN LIN	7 25 06	DRAWING NUMBER	REV. N/C
		CHK BY			1 1 2 1 2 0	
		APPR BY			DWG SIZE <b>B</b>	SCALE 4/1 SHEET 1 OF 1