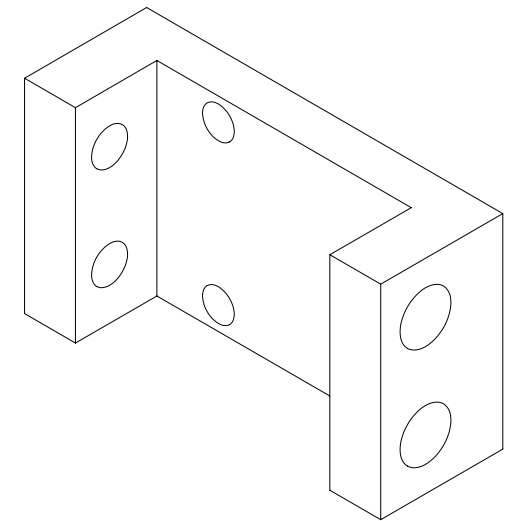
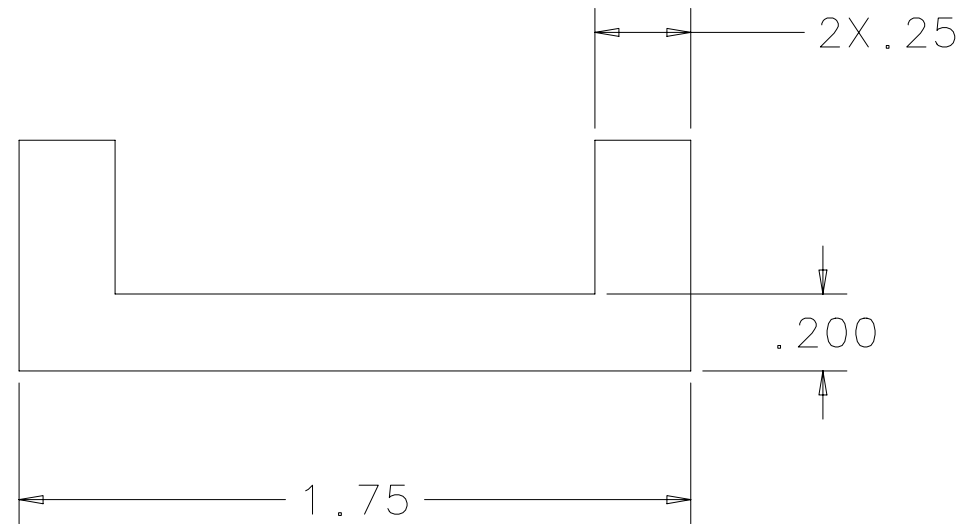
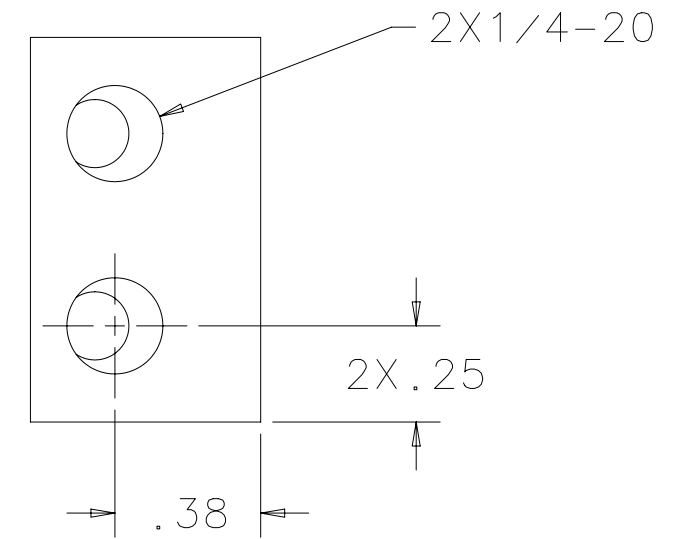
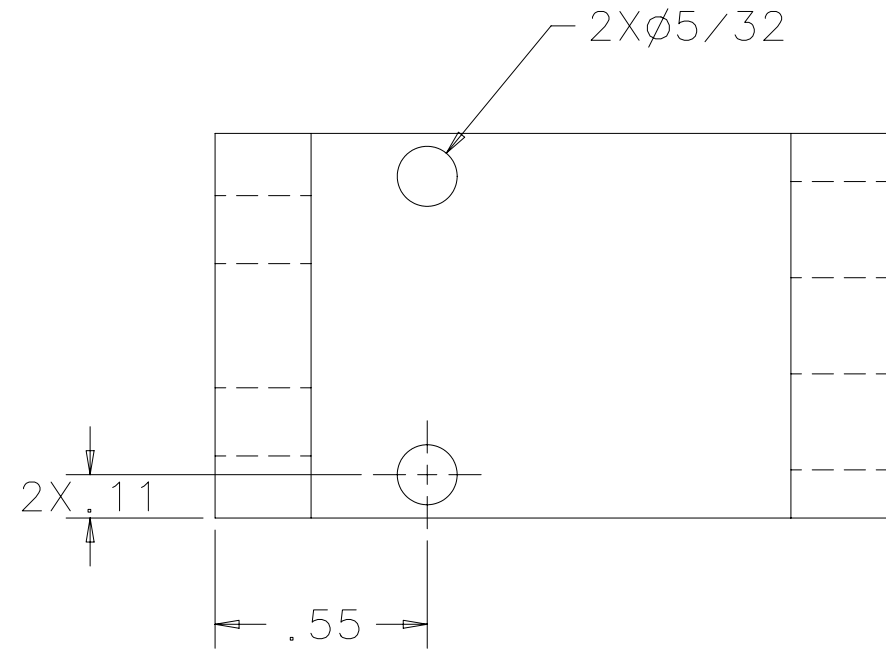
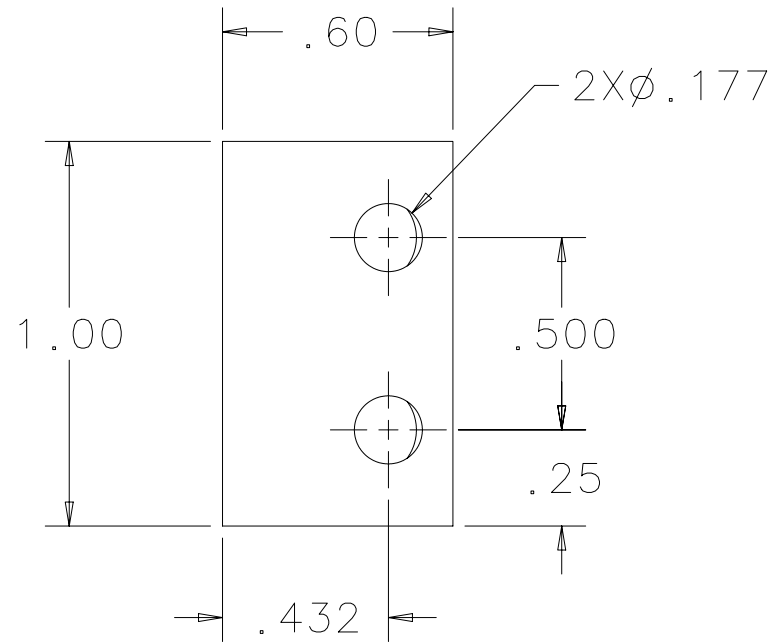


REV.	DESCRIPTION	APPROV.	DATE



1. MATERIAL: ALUMINUM ALLOY 6061-T651.

NOTE:

NEXT ASSEMBLY 011005

NIRES-D85

Infrared Physics
CALIFORNIA INSTITUTE OF TECHNOLOGY
Pasadena, California

UNLESS OTHERWISE SPECIFIED
DIMENSIONS ARE IN INCHES
.005/.010 EDGE BROKEN
THREADS PER MIL-S-7742
MACHINED SURFACE 63 MAX
MACHINED INSIDE CORNER
R.005 MAX
TOLERANCE
.XX: ±.01 X/X: ±1/64
.XXX: ±.005 ANG: ±.5

SIGNATURE		DATE
DWN BY	SEAN LIN	7 27 06
CHK BY		
APPR BY		

TITLE	BRACKET SPRING RETAINING	
DRAWING NUMBER	113097	REV. N/C
DWG SIZE B	SCALE 2/1	SHEET 1 OF 1