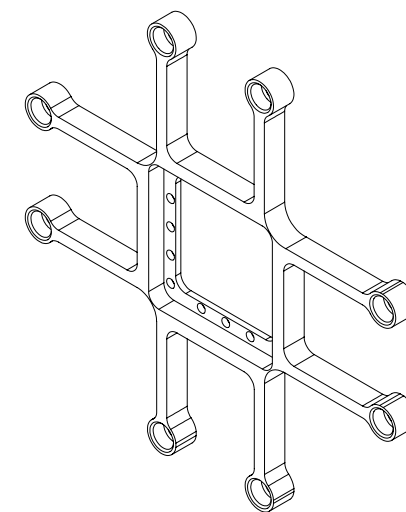
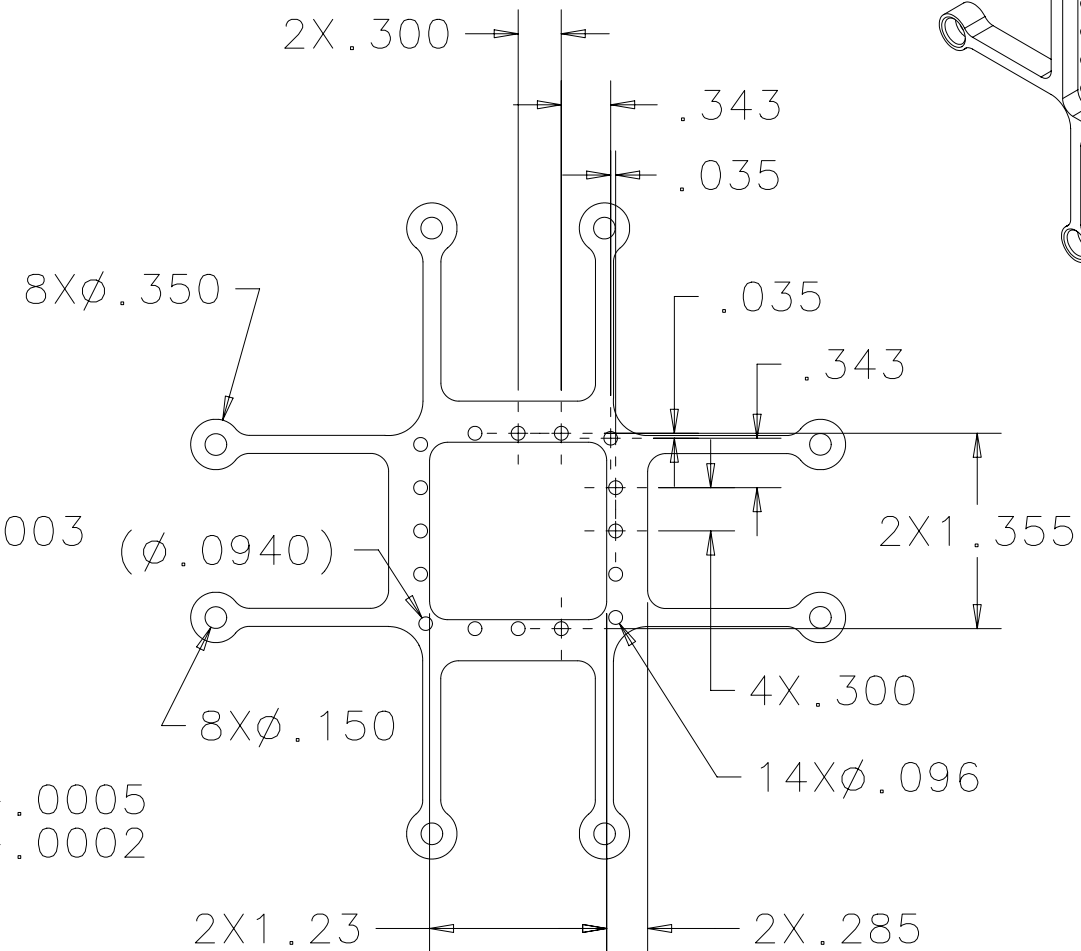
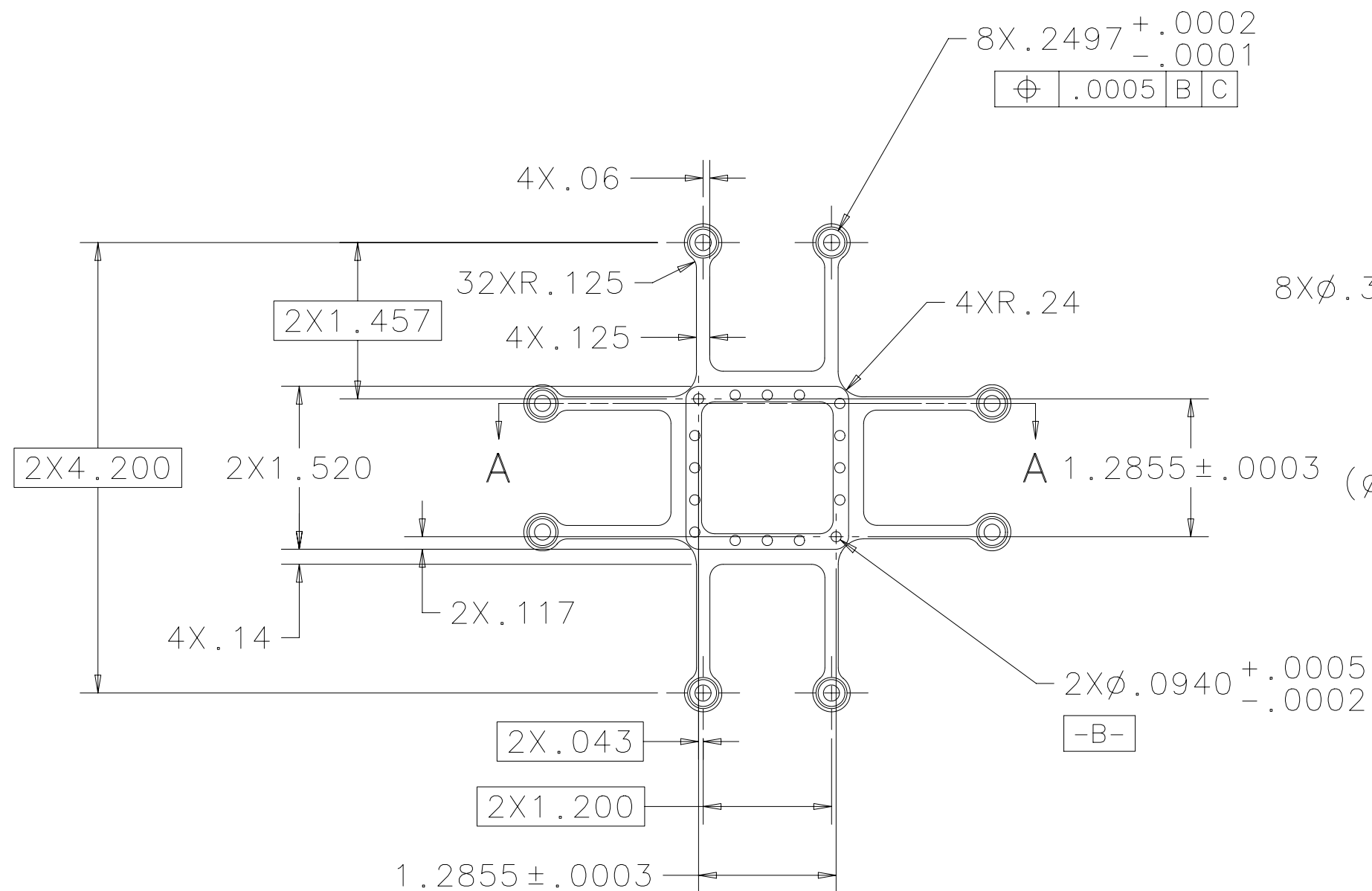
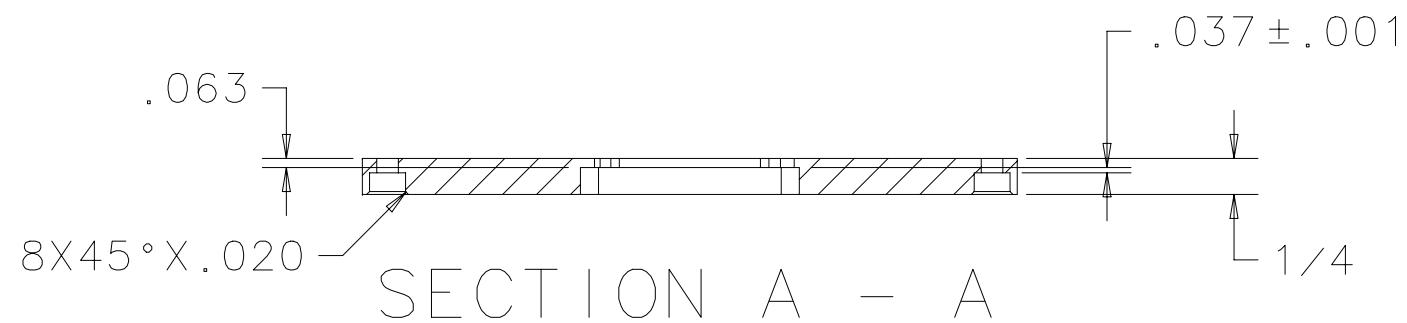


REV.	DESCRIPTION	APPROV.	DATE



1. MATERIAL: ALUMINUM ALLOY 6061-T651.

NOTE:

NEXT ASSEMBLY 011005

<b>NIRES-D85</b>			Infrared Physics CALIFORNIA INSTITUTE OF TECHNOLOGY Pasadena, California			
			TITLE	SPIDER WEB		REV.
UNLESS OTHERWISE SPECIFIED DIMENSIONS ARE IN INCHES .005/.010 EDGE BROKEN THREADS PER MIL-S-7742 MACHINED SURFACE 63 MAX MACHINED INSIDE CORNER R.005 MAX TOLERANCE .XX: ±.01 X/X: ±1/64 .XXX: ±.005 ANG: ±.5			SIGNATURE	DATE	DRAWING NUMBER	116012
			DWN BY	SEAN LIN	9 24 06	DWG SIZE
CHK BY			APPR BY			