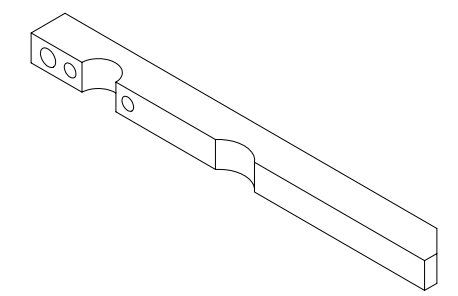
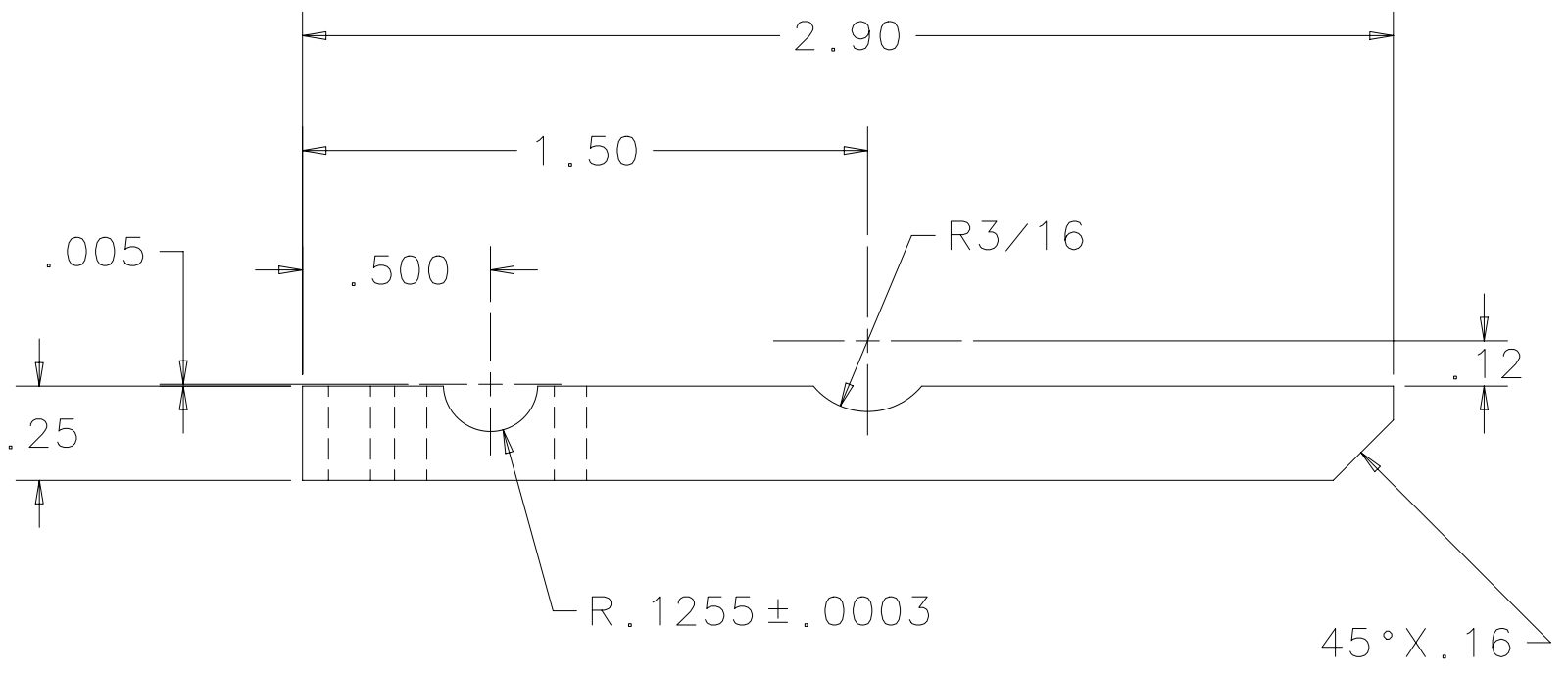
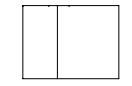
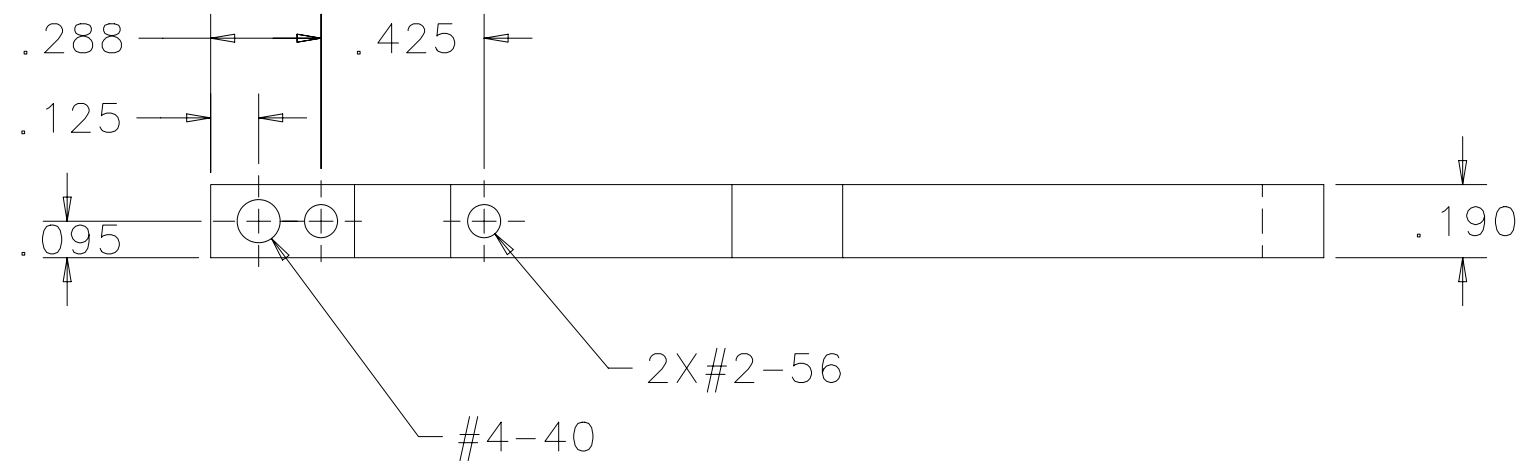


| REV. | DESCRIPTION | APPROV. | DATE |
|------|-------------|---------|------|
| | | | |
| | | | |



1. MATERIAL: ALUMINUM ALLOY 6061-T651.

NOTE:

NEXT ASSEMBLY 011005

| | | | | | |
|--|---------|-------------|--|-------------------|------------------------|
| NIRES-D85 | | | Infrared Physics CALIFORNIA INSTITUTE OF TECHNOLOGY Pasadena, California | | |
| UNLESS OTHERWISE SPECIFIED DIMENSIONS ARE IN INCHES .005/.010 EDGE BROKEN THREADS PER MIL-S-7742 MACHINED SURFACE 63 MAX MACHINED INSIDE CORNER R.005 MAX TOLERANCE .XX: ±.01 X/X: ±1/64 .XXX: ±.005 ANG: ±.5 | | SIGNATURE | DATE | TITLE | LEVER ARM |
| | DWN BY | SEAN LIN | 7 24 06 | DRAWING NUMBER | 117015 |
| | CHK BY | | | DWG SIZE B | SCALE 2/1 SHEET 1 OF 1 |
| | APPR BY | | | REV. N/C | |