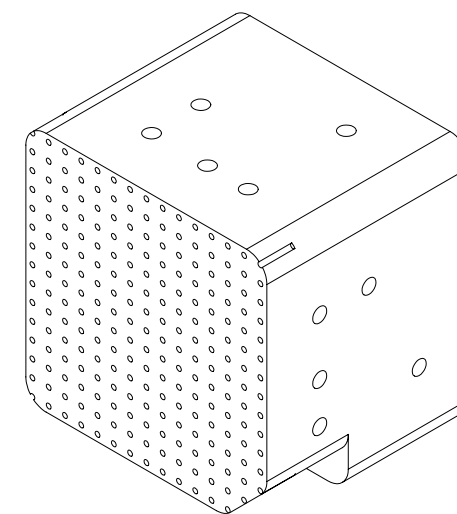
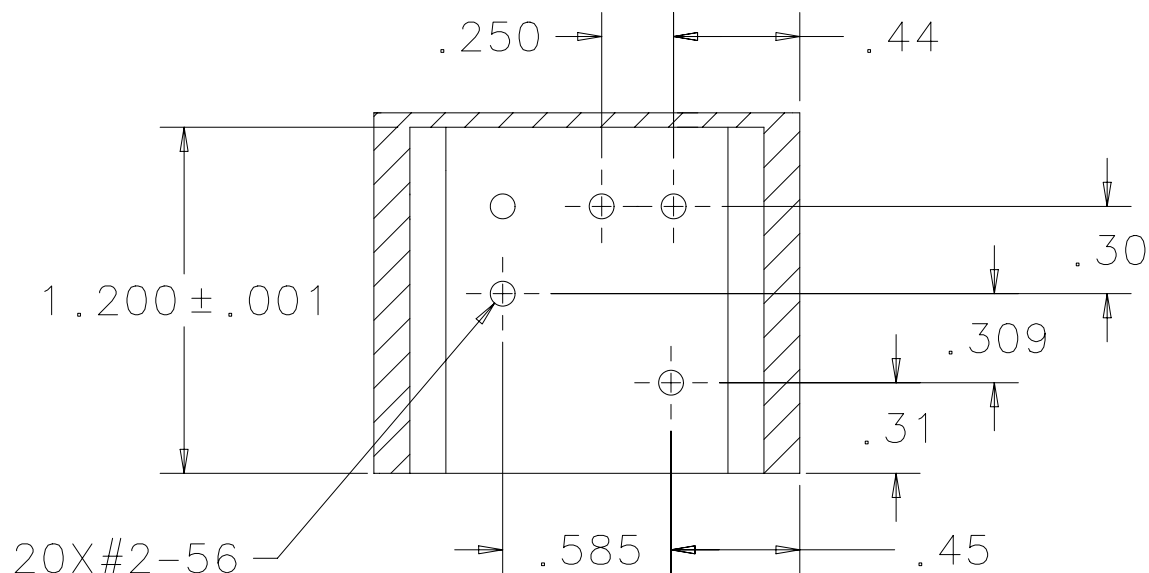
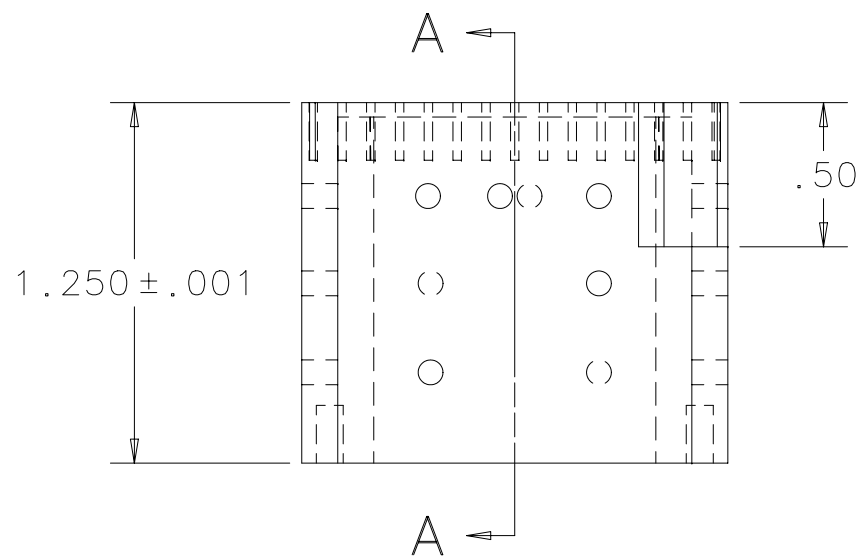
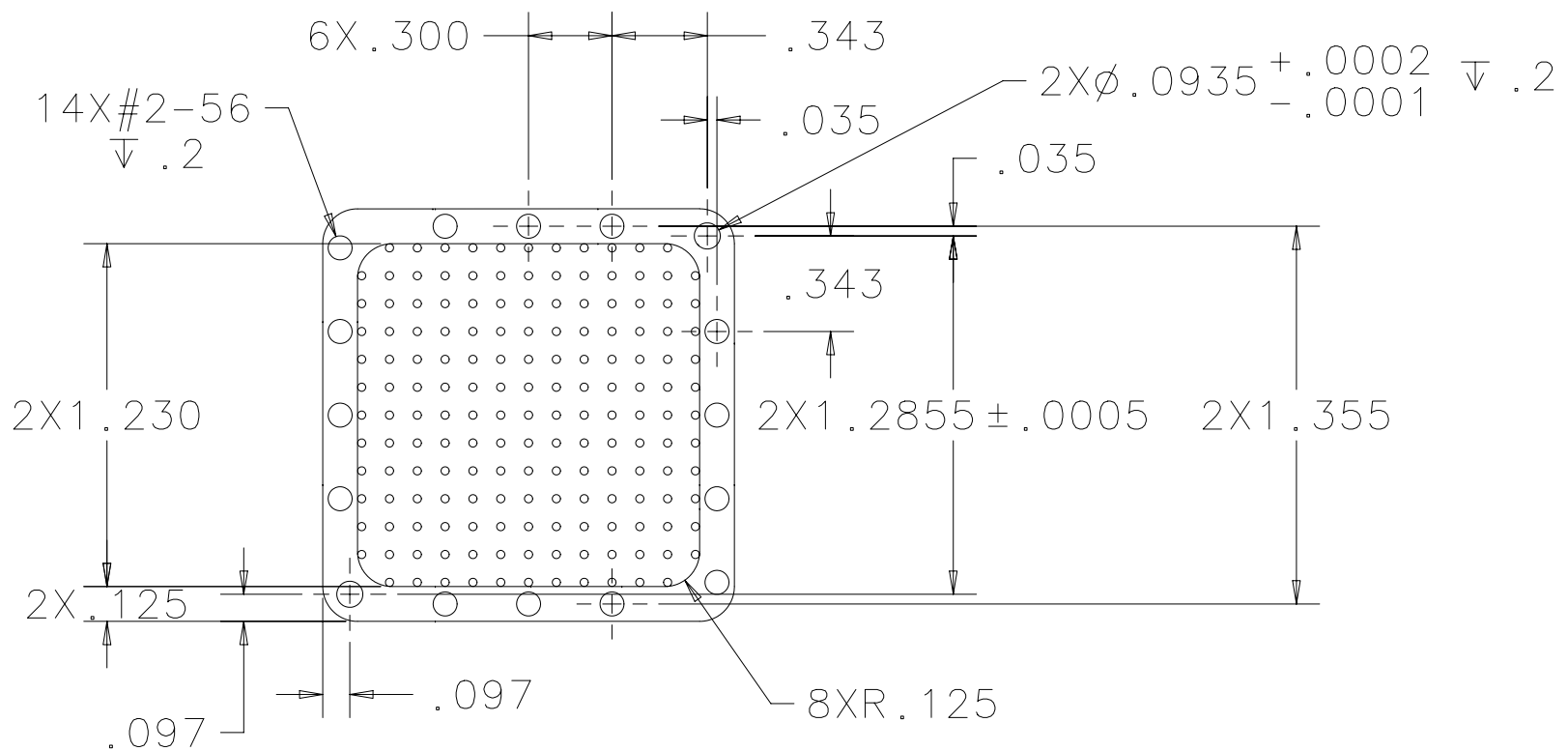
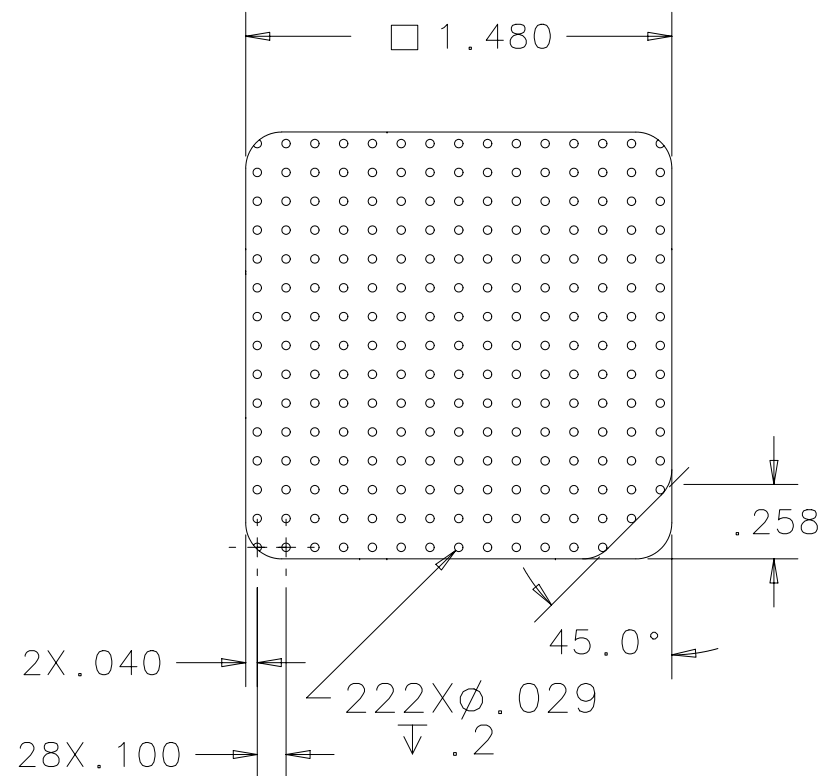


REV.	DESCRIPTION	APPROV.	DATE



20X#2-56  
ON 4 FACES  
SECTION A - A

**NIRES-D85** Infrared Physics  
CALIFORNIA INSTITUTE OF TECHNOLOGY  
Pasadena, California

2. VENT HOLES AT BOTTOM.  
1. MATERIAL: OFHC OXYGEN FREE HIGH  
CONDUCTIVITY COPPER CDA10100.

UNLESS OTHERWISE SPECIFIED DIMENSIONS ARE IN INCHES .005/.010 EDGE BROKEN THREADS PER MIL-S-7742 MACHINED SURFACE 63 MAX MACHINED INSIDE CORNER R.005 MAX TOLERANCE .XX: ±.01 X/XX: ±1/64 .XXX: ±.005 ANG: ±.5	SIGNATURE		DATE	TITLE	DETECTOR COLD FINGER	
	DWN BY	SEAN LIN	9 24 06	DRAWING NUMBER	118019	REV. N/C
	CHK BY			DWG SIZE <b>B</b>	SCALE 3/2	SHEET 1 OF 1
	APPR BY					

NEXT ASSEMBLY 011005

NOTE: