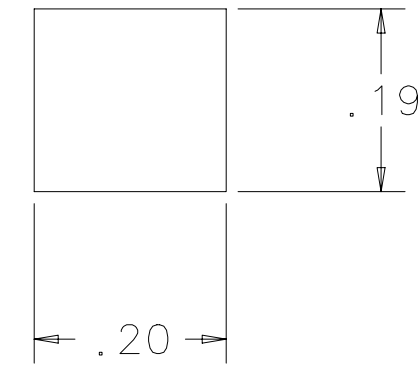
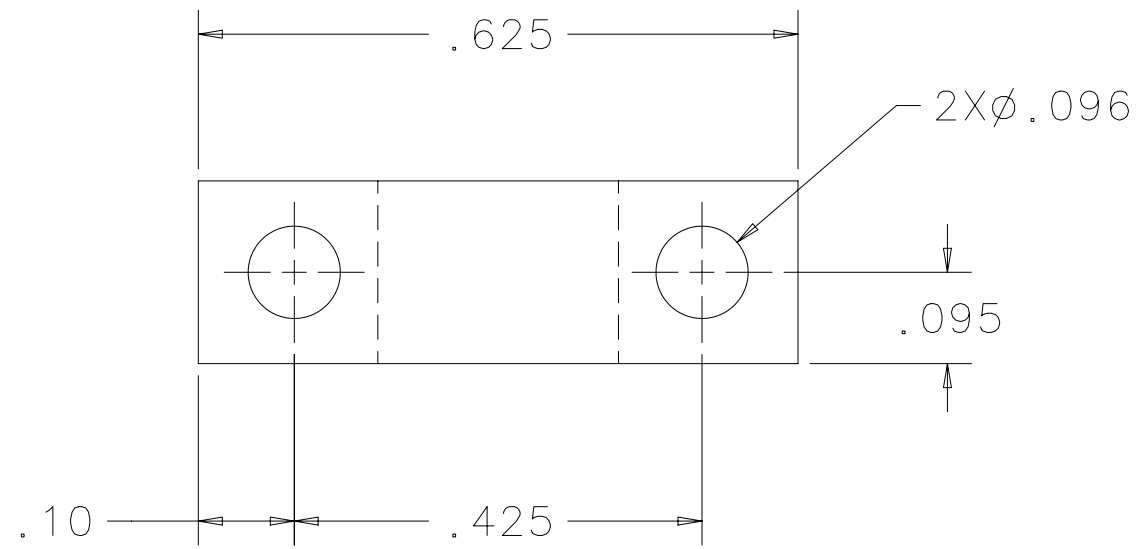
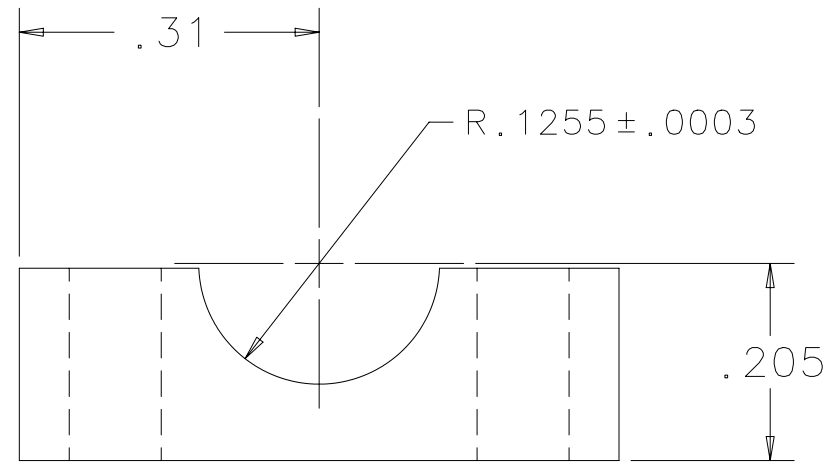


REV.	DESCRIPTION	APPROV.	DATE



1. MATERIAL: ALUMINUM ALLOY 6061-T651.

NOTE:

NEXT ASSEMBLY 011005

NIRES-D85		Infrared Physics CALIFORNIA INSTITUTE OF TECHNOLOGY Pasadena, California					
		SIGNATURE		DATE	TITLE	CLAMP FLEX PIVET	
<small>UNLESS OTHERWISE SPECIFIED DIMENSIONS ARE IN INCHES .005/.010 EDGE BROKEN THREADS PER MIL-S-7742 MACHINED SURFACE 63 MAX MACHINED INSIDE CORNER R.005 MAX TOLERANCE .XX: ±.01 X/X: ±1/64 .XXX: ±.005 ANG: ±.5</small>		DWN BY	SEAN LIN	7.24 06	DRAWING NUMBER	160414	REV. N/C
		CHK BY			DWG SIZE B	SCALE 5/1	SHEET 1 OF 1
		APPR BY					