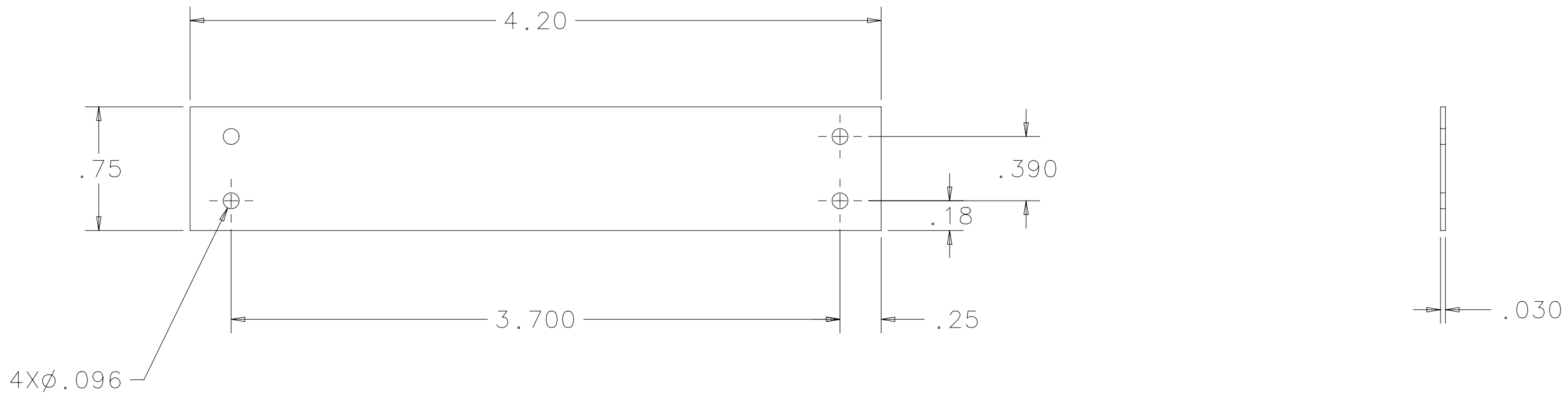


REV.	DESCRIPTION	APPROV.	DATE



1. MATERIAL: EPOXY GLASS CLOTH LAMINATE
PER NEMA GRADE G-10CR.

NOTE:

NEXT ASSEMBLY 011005

NIRES-D85		Infrared Physics CALIFORNIA INSTITUTE OF TECHNOLOGY Pasadena, California									
		UNLESS OTHERWISE SPECIFIED DIMENSIONS ARE IN INCHES .005/.010 EDGE BROKEN THREADS PER MIL-S-7742 MACHINED SURFACE 63 MAX MACHINED INSIDE CORNER R.005 MAX TOLERANCE .XX: ±.01 X/X: ±1/64 .XXX: ±.005 ANG: ±.5		SIGNATURE		DATE		TITLE		INSULATION/DEFINING BLADE	
DWN BY		SEAN LIN		7 24 06		DRAWING NUMBER		440014		REV. N/C	
CHK BY						DWG SIZE B		SCALE 3/2		SHEET 1 OF 1	
APPR BY											