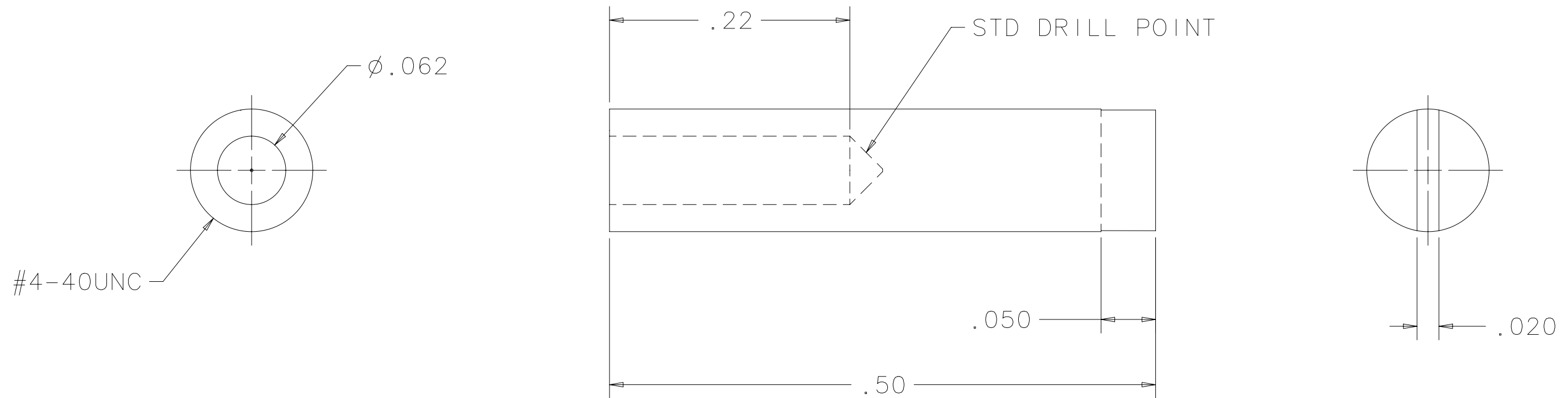


REV.	DESCRIPTION	APPROV.	DATE



NIRES-D85

Infrared Physics
 CALIFORNIA INSTITUTE OF TECHNOLOGY
 Pasadena, California

UNLESS OTHERWISE SPECIFIED
 DIMENSIONS ARE IN INCHES
 .005/.010 EDGE BROKEN
 THREADS PER MIL-S-7742
 MACHINED SURFACE 63 MAX
 MACHINED INSIDE CORNER
 R.005 MAX

TOLERANCE
 .XX: $\pm .01$ X/X: $\pm 1/64$
 .XXX: $\pm .005$ ANG: $\pm .5$

SIGNATURE

DATE

TITLE

ADJUSTING SCREW

DWN BY

SEAN
LIN

8 19
06

DRAWING
NUMBER

503010

REV.
N/C

APPR BY

DWG SIZE **B**

SCALE 10/1

SHEET 1 OF 1

NEXT ASSEMBLY 011005

1. MATERIAL: AISI TYPE 303 STAINLESS STEEL.

NOTE: