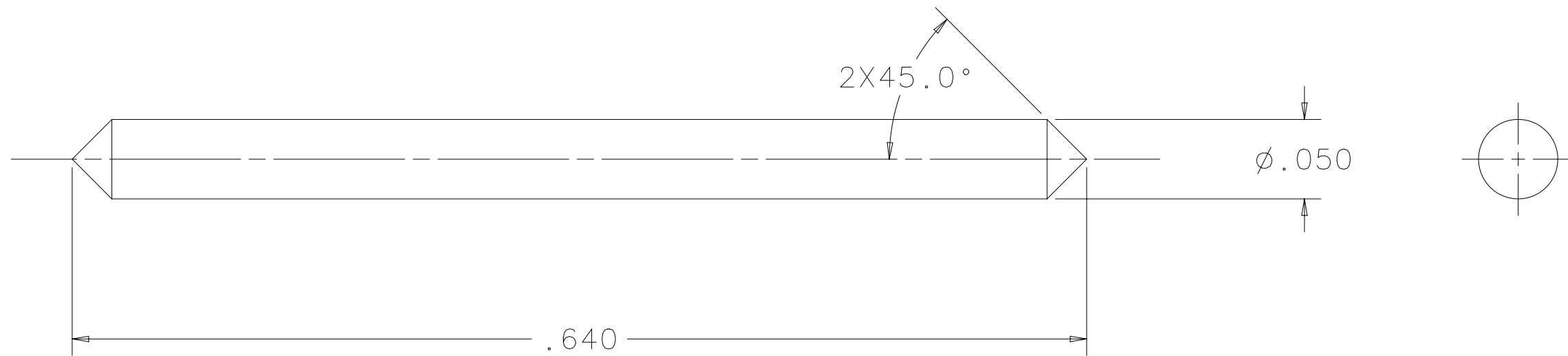


REV.	DESCRIPTION	APPROV.	DATE



NIRES-D85

Infrared Physics
 CALIFORNIA INSTITUTE OF TECHNOLOGY
 Pasadena, California

UNLESS OTHERWISE SPECIFIED
 DIMENSIONS ARE IN INCHES
 .005/.010 EDGE BROKEN
 THREADS PER MIL-S-7742
 MACHINED SURFACE 63 MAX
 MACHINED INSIDE CORNER
 R.005 MAX
 TOLERANCE
 .XX: $\pm .01$ X/X: $\pm 1/64$
 .XXX: $\pm .005$ ANG: $\pm .5$

SIGNATURE		DATE
DWN BY	SEAN LIN	7 27 06
CHK BY		
APPR BY		

TITLE	PUSH PIN	
DRAWING NUMBER	653011	REV. N/C
DWG SIZE B	SCALE 12/1	SHEET 1 OF 1

1. MATERIAL: AISI TYPE 303 STAINLESS STEEL.

NOTE:

NEXT ASSEMBLY 011005