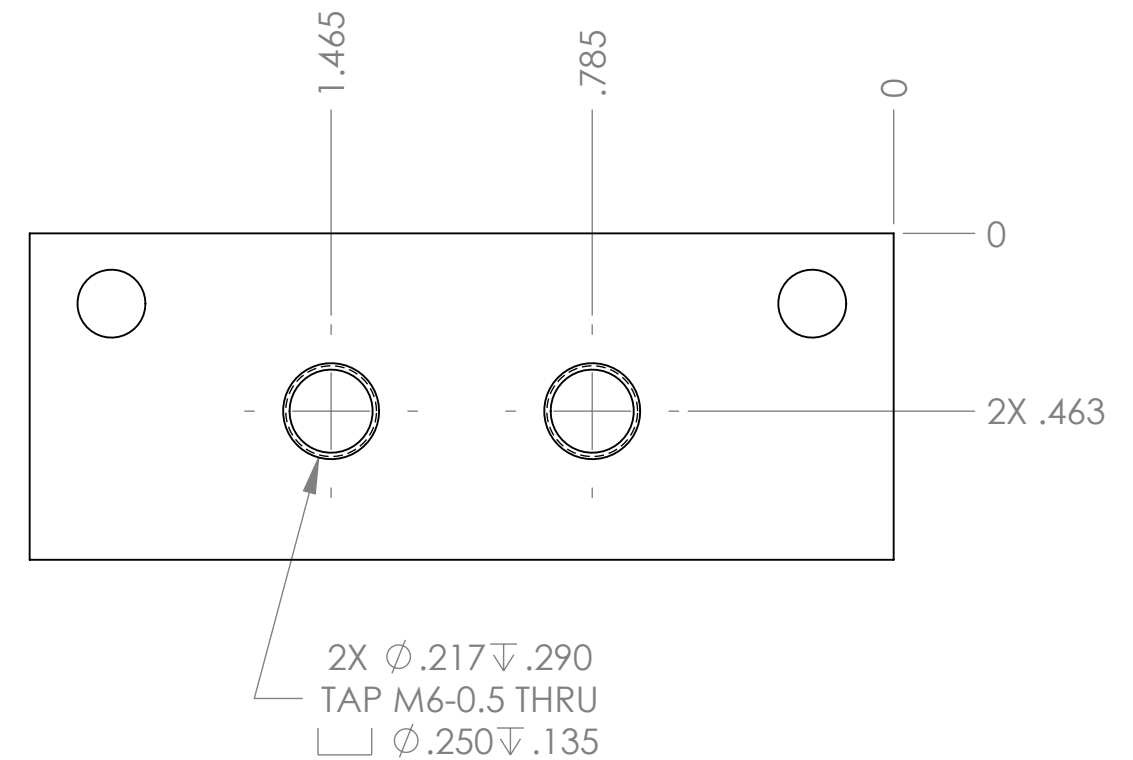
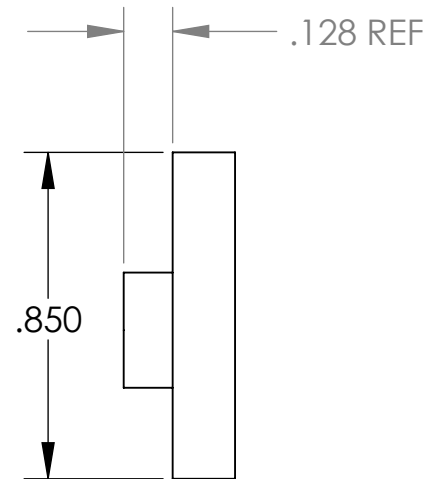
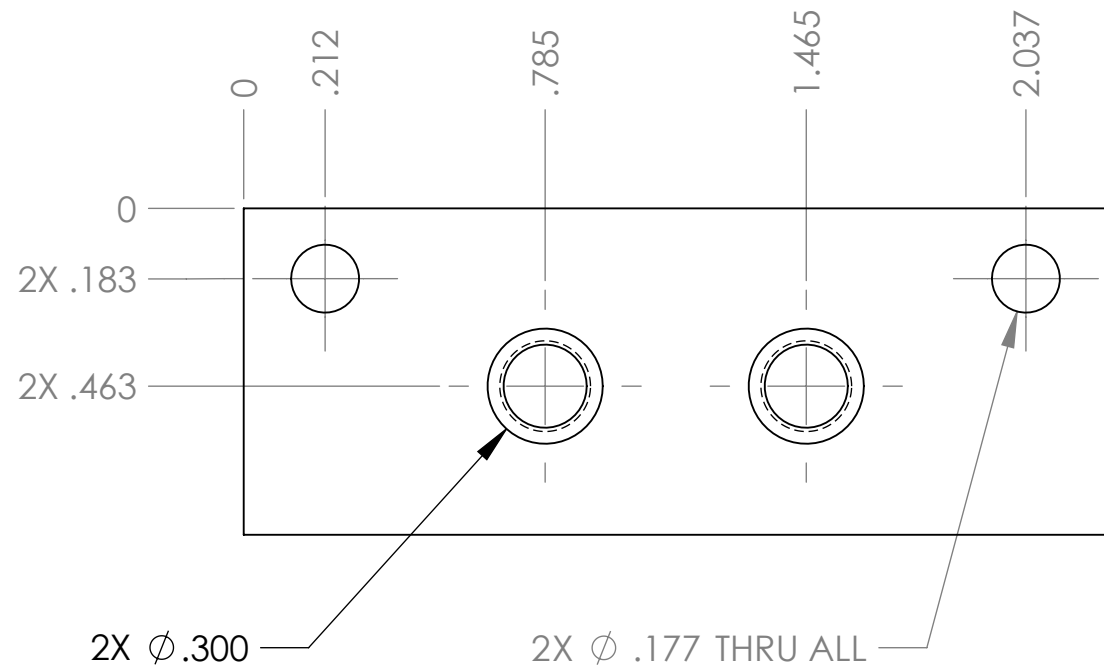
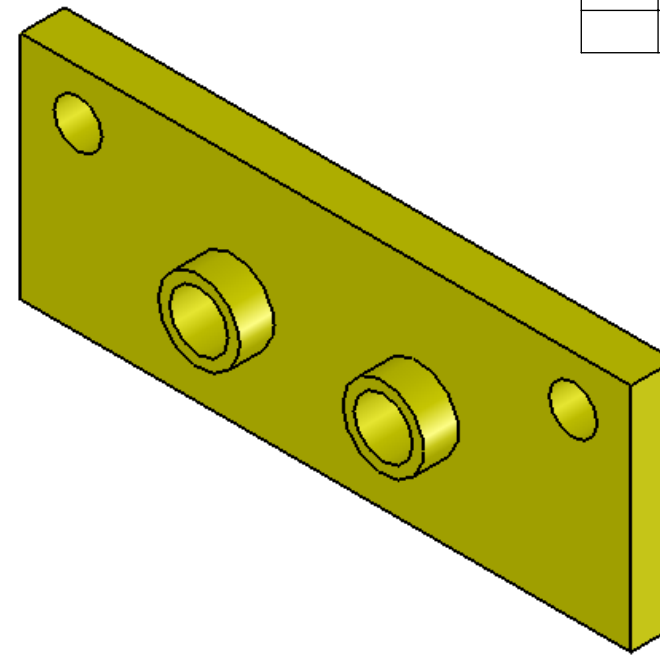
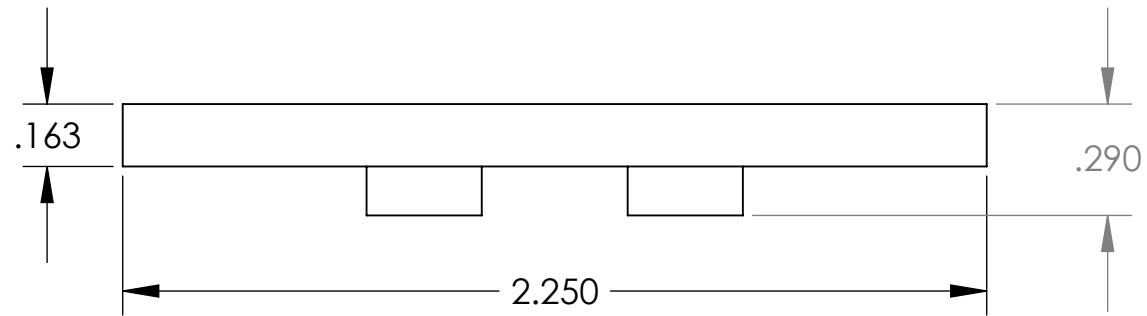


REVISIONS				
ZONE	REV.	DESCRIPTION	DATE	APPROVED
	0	INITIAL RELEASE.	05/XX/07	CH



UNLESS OTHERWISE SPECIFIED DIMENSIONS ARE IN INCHES, REMOVE BURS AND BREAK SHARP EDGES 0.005-0.010
 TOLERANCES: .XX±.010 .XXX±.005
 ANGLES ±0.5° UNLESS NOTED,
 ALL SURFACES 64 UNLESS NOTED

MATERIAL: 6061-T6 ALUM
 QTY: 1



NAME: INIT. DATE: 08/27/07
 DRAWN: SCP
 CHECKED:
 APPROVED:
 FABRICATED:

TRIPLESPEC

Cornell University
 Center for Radiophysics and Space Research - Ithaca, NY 14853

TITLE: MOUNTING BLOCK, MICROMETER HEAD, TWIN

SIZE: B DRAWING # REV 0

FILE: Mounting Block, Micrometer Head, Twin

SCALE: 2:1 DATE: 9/6/2007 SHEET 1 OF 1