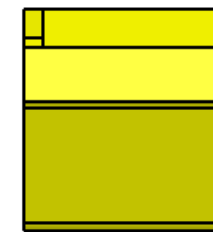
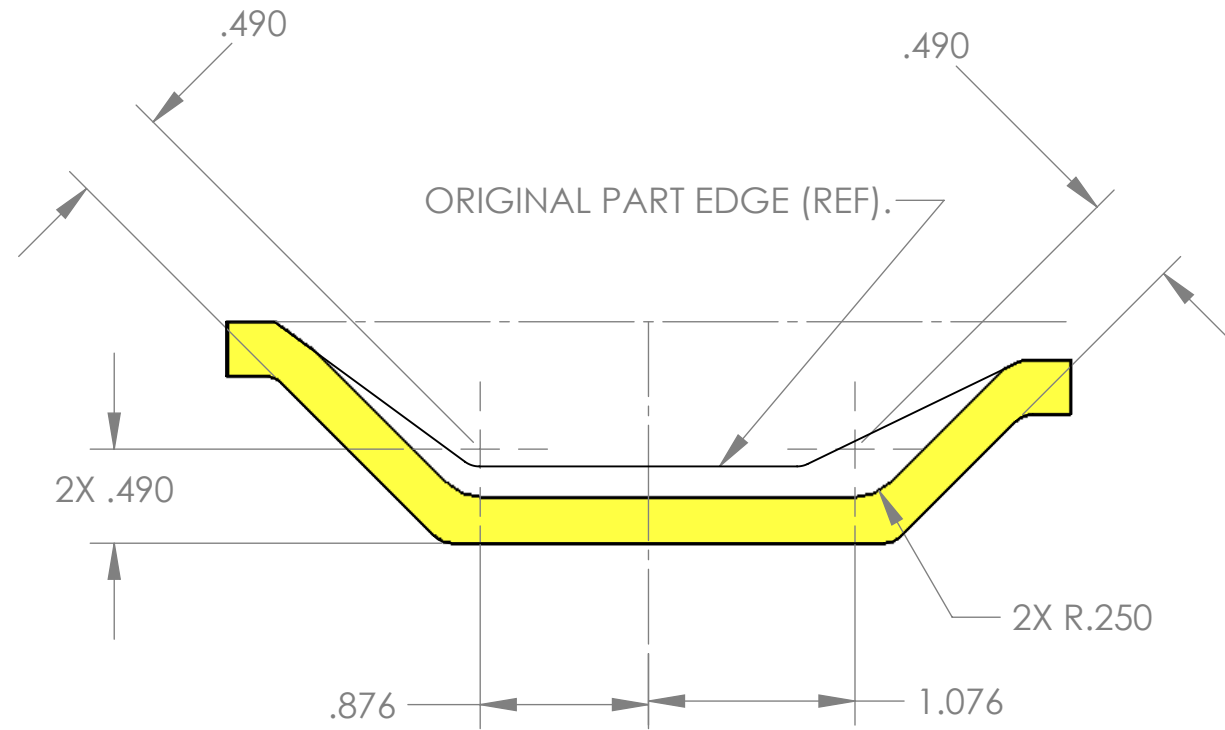
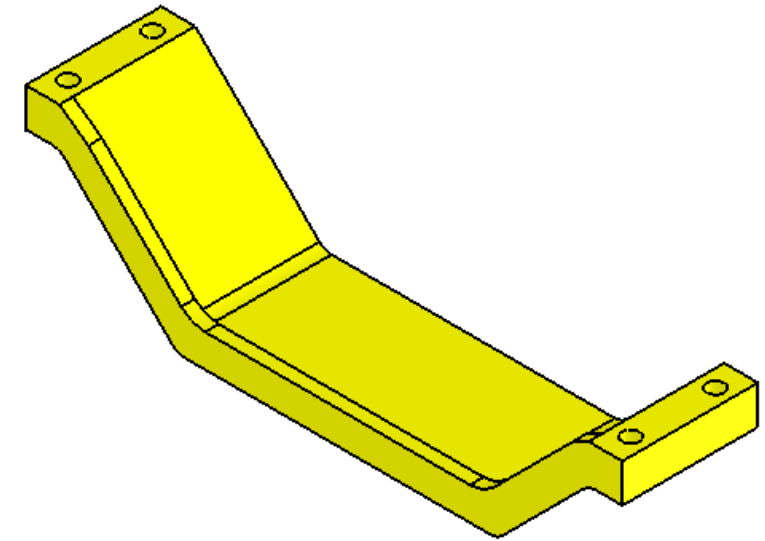
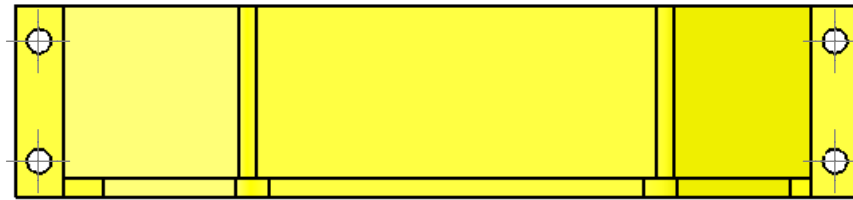


REVISIONS				
ZONE	REV.	DESCRIPTION	DATE	APPROVED
	0	INITIAL RELEASE.	07/03/07	SCP



UNLESS OTHERWISE SPECIFIED DIMENSIONS ARE IN INCHES, REMOVE BURRS AND BREAK SHARP EDGES 0.005-0.010

TOLERANCES: .XX ± .010 .XXX ± .005
 ANGLES ± 0.5° UNLESS NOTED,
 ALL SURFACES 64 UNLESS NOTED

MATERIAL: 6061-T6 ALUM
 QTY: 3

				TRIPLESPEC		Cornell University Center for Radiophysics and Space Research - Ithaca, NY 14853	
NAME:	INIT.	DATE:	TITLE:	INFRASIL PRISM BRACE MODS			
DRAWN:	SCP	07/03/07	SIZE:	B		DRAWING #	REV
CHECKED:	SCP	07/03/07		TRDOP09A			0
APPROVED:			SCALE:	1:1		DATE:	7/3/2007
FABRICATED:			FILE:	TRDOP09A INFASIL PRISM BRACE MODS			SHEET 1 OF 1