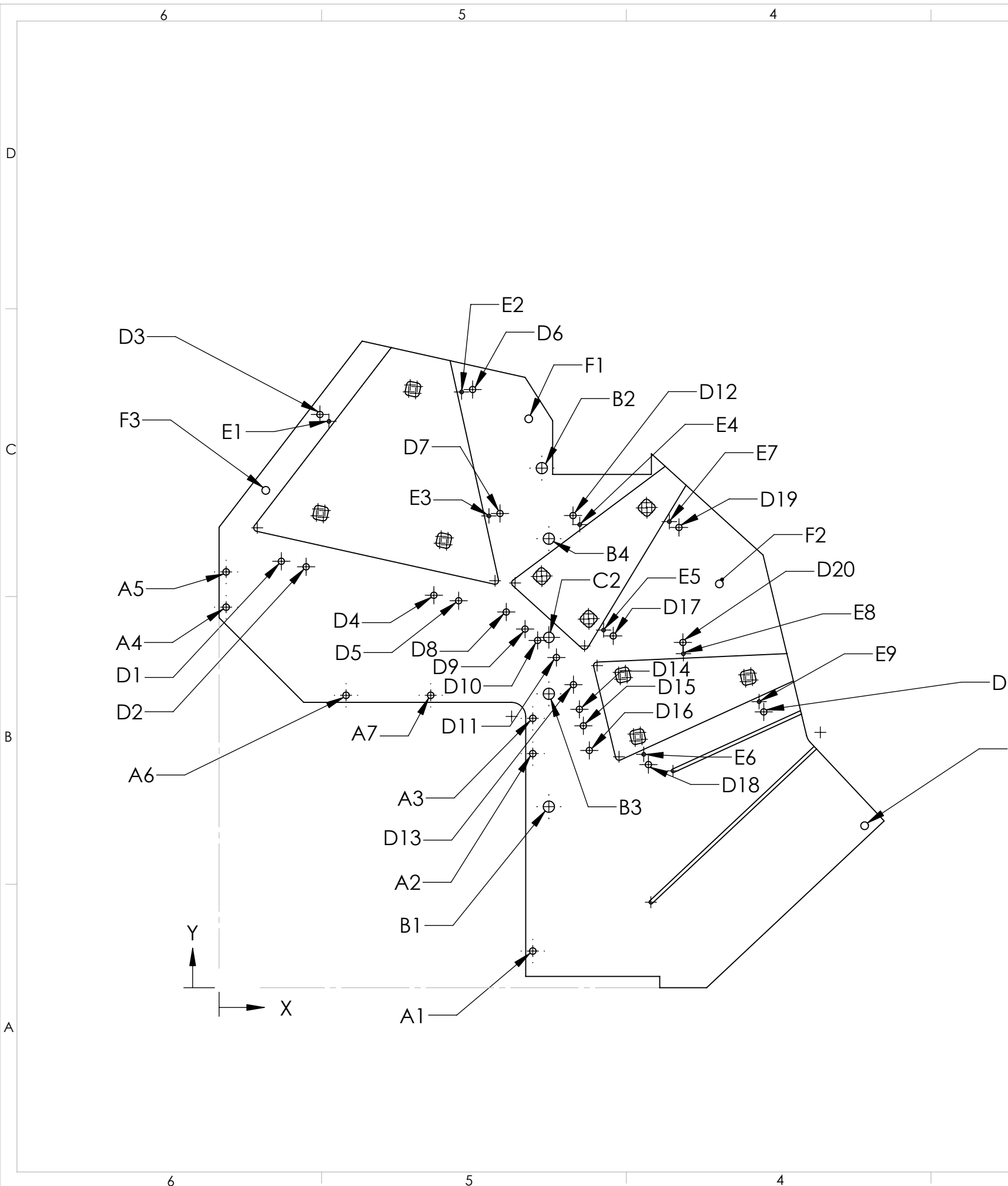


UNLESS OTHERWISE SPECIFIED DIMENSIONS ARE IN INCHES, REMOVE BURS AND BREAK SHARP EDGES 0.005-0.010
 TOLERANCES: .XX±.010 .XXX±.005 ANGLES ±0.5° UNLESS NOTED, ALL SURFACES 64 UNLESS NOTED
 MATERIAL: 6061 T6 ALUMINUM
 QNTY: 3

| | | |
|-------------------------------------|----------|-------|
| NAME: | INIT. BB | DATE: |
| DRAWN: | | |
| CHECKED: | | |
| APPROVED: | | |
| FABRICATED: | | |
| FILE: TRDOP11 PRISM ALIGNMENT PLATE | | |

| | | | | |
|--|------------------|----------------|-----------------------|---------|
| TRIPLESPEC Cornell University Center for Radiophysics and Space Research - Ithaca, NY 14853 | | TITLE: | PRISM ALIGNMENT PLATE | |
| | | SIZE: B | DRAWING # | TRDOP11 |
| SCALE: 1:4 | DATE: 10/16/2006 | SHEET 1 OF 5 | | |



| TAG | X LOC | Y LOC | SIZE |
|-----|--------|--------|--|
| A1 | 5.560 | .649 | Ø .116 THRU Ø .219 Ψ .112 |
| A2 | 5.560 | 4.149 | Ø .116 THRU Ø .219 Ψ .112 |
| A3 | 5.560 | 4.774 | Ø .116 THRU Ø .219 Ψ .112 |
| A4 | .125 | 6.745 | Ø .116 THRU Ø .219 Ψ .112 |
| A5 | .125 | 7.370 | Ø .116 THRU Ø .219 Ψ .112 |
| A6 | 2.250 | 5.183 | Ø .116 THRU Ø .219 Ψ .112 |
| A7 | 3.751 | 5.183 | Ø .116 THRU Ø .219 Ψ .112 |
| B1 | 5.845 | 3.209 | Ø .201 THRU TAP FOR #10-32 HELICOIL Insert = 1.0 * Dia. |
| B3 | 5.845 | 5.209 | Ø .201 THRU TAP FOR #10-32 HELICOIL Insert = 1.0 * Dia. |
| B2 | 5.720 | 9.209 | Ø .201 THRU TAP FOR #10-32 HELICOIL Insert = 1.0 * Dia. |
| B4 | 5.845 | 7.959 | Ø .201 THRU TAP FOR #10-32 HELICOIL Insert = 1.0 * Dia. |
| C2 | 5.845 | 6.209 | Ø SLIP FIT FOR .1875 PIN THRU |
| D1 | 1.103 | 7.558 | Ø .089 THRU 4-40 UNC - 2B THRU |
| D2 | 1.542 | 7.460 | Ø .089 THRU 4-40 UNC - 2B THRU |
| D3 | 1.788 | 10.160 | Ø .089 THRU 4-40 UNC - 2B THRU |
| D4 | 3.807 | 6.956 | Ø .089 THRU 4-40 UNC - 2B THRU |
| D5 | 4.246 | 6.859 | Ø .089 THRU 4-40 UNC - 2B THRU |
| D6 | 4.493 | 10.602 | Ø .089 THRU 4-40 UNC - 2B THRU |
| D7 | 4.979 | 8.406 | Ø .089 THRU 4-40 UNC - 2B THRU |
| D8 | 5.090 | 6.659 | Ø .089 THRU 4-40 UNC - 2B THRU |
| D9 | 5.423 | 6.357 | Ø .089 THRU 4-40 UNC - 2B THRU |
| D10 | 5.646 | 6.155 | Ø .089 THRU 4-40 UNC - 2B THRU |
| D11 | 5.979 | 5.853 | Ø .089 THRU 4-40 UNC - 2B THRU |
| D12 | 6.273 | 8.369 | Ø .089 THRU 4-40 UNC - 2B THRU |
| D13 | 6.281 | 5.372 | Ø .089 THRU 4-40 UNC - 2B THRU |
| D14 | 6.386 | 4.934 | Ø .089 THRU 4-40 UNC - 2B THRU |
| D15 | 6.456 | 4.643 | Ø .089 THRU 4-40 UNC - 2B THRU |
| D16 | 6.562 | 4.205 | Ø .089 THRU 4-40 UNC - 2B THRU |
| D17 | 6.986 | 6.235 | Ø .089 THRU 4-40 UNC - 2B THRU |
| D18 | 7.609 | 3.955 | Ø .089 THRU 4-40 UNC - 2B THRU |
| D19 | 8.151 | 8.157 | Ø .089 THRU 4-40 UNC - 2B THRU |
| D20 | 8.220 | 6.120 | Ø .089 THRU 4-40 UNC - 2B THRU |
| D21 | 9.654 | 4.888 | Ø .089 THRU 4-40 UNC - 2B THRU |
| E1 | 1.946 | 10.038 | Ø .064 Ψ .100 |
| E2 | 4.298 | 10.559 | Ø .064 Ψ .100 |
| E3 | 4.783 | 8.362 | Ø .064 Ψ .100 |
| E4 | 6.393 | 8.209 | Ø .064 Ψ .100 |
| E5 | 6.815 | 6.339 | Ø .064 Ψ .100 |
| E6 | 7.526 | 4.137 | Ø .064 Ψ .100 |
| E7 | 7.980 | 8.261 | Ø .064 Ψ .100 |
| E8 | 8.229 | 5.920 | Ø .064 Ψ .100 |
| E9 | 9.571 | 5.070 | Ø .064 Ψ .100 |
| F1 | 5.488 | 10.083 | Ø .107 THRU 6-32 UNC THRU |
| F2 | 8.867 | 7.157 | Ø .107 THRU 6-32 UNC THRU |
| F3 | .827 | 8.815 | Ø .107 THRU 6-32 UNC THRU |
| F4 | 11.441 | 2.871 | Ø .107 THRU 6-32 UNC THRU |

UNLESS OTHERWISE SPECIFIED DIMENSIONS ARE IN INCHES, REMOVE BURRS AND BREAK SHARP EDGES 0.005-0.010

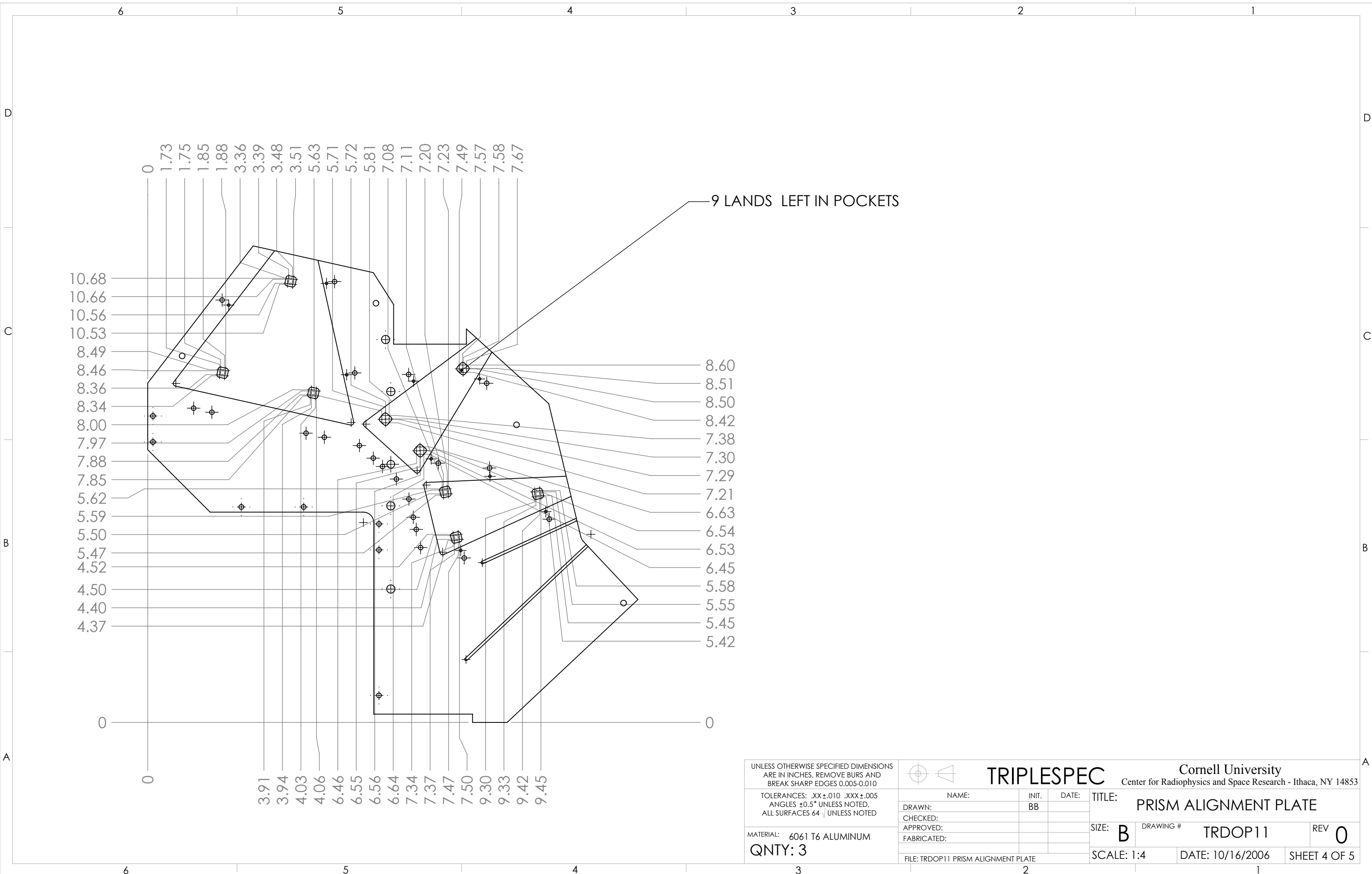
TOLERANCES: .XX±.010 .XXX±.005 ANGLES ±0.5° UNLESS NOTED, ALL SURFACES 64 UNLESS NOTED

MATERIAL: 6061 T6 ALUMINUM
QNTY: 3

TRIPLESPEC Cornell University
Center for Radiophysics and Space Research - Ithaca, NY 14853

| | | | |
|-------------|-------|-------|--|
| NAME: | INIT: | DATE: | TITLE: PRISM ALIGNMENT PLATE |
| DRAWN: | BB | | SIZE: B DRAWING # TRDOP11 REV 0 |
| CHECKED: | | | SCALE: 1:4 DATE: 10/16/2006 SHEET 3 OF 5 |
| APPROVED: | | | |
| FABRICATED: | | | |

FILE: TRDOP11 PRISM ALIGNMENT PLATE



UNLESS OTHERWISE SPECIFIED DIMENSIONS
 ARE IN INCHES, REMOVE BURS AND
 BREAK SHARP EDGES 0.005-0.010

TOLERANCES: .XX±.010 .XXX±.005
 ANGLES ±0.5° UNLESS NOTED,
 ALL SURFACES 64 UNLESS NOTED

MATERIAL: 6061 T6 ALUMINUM
QNTY: 3

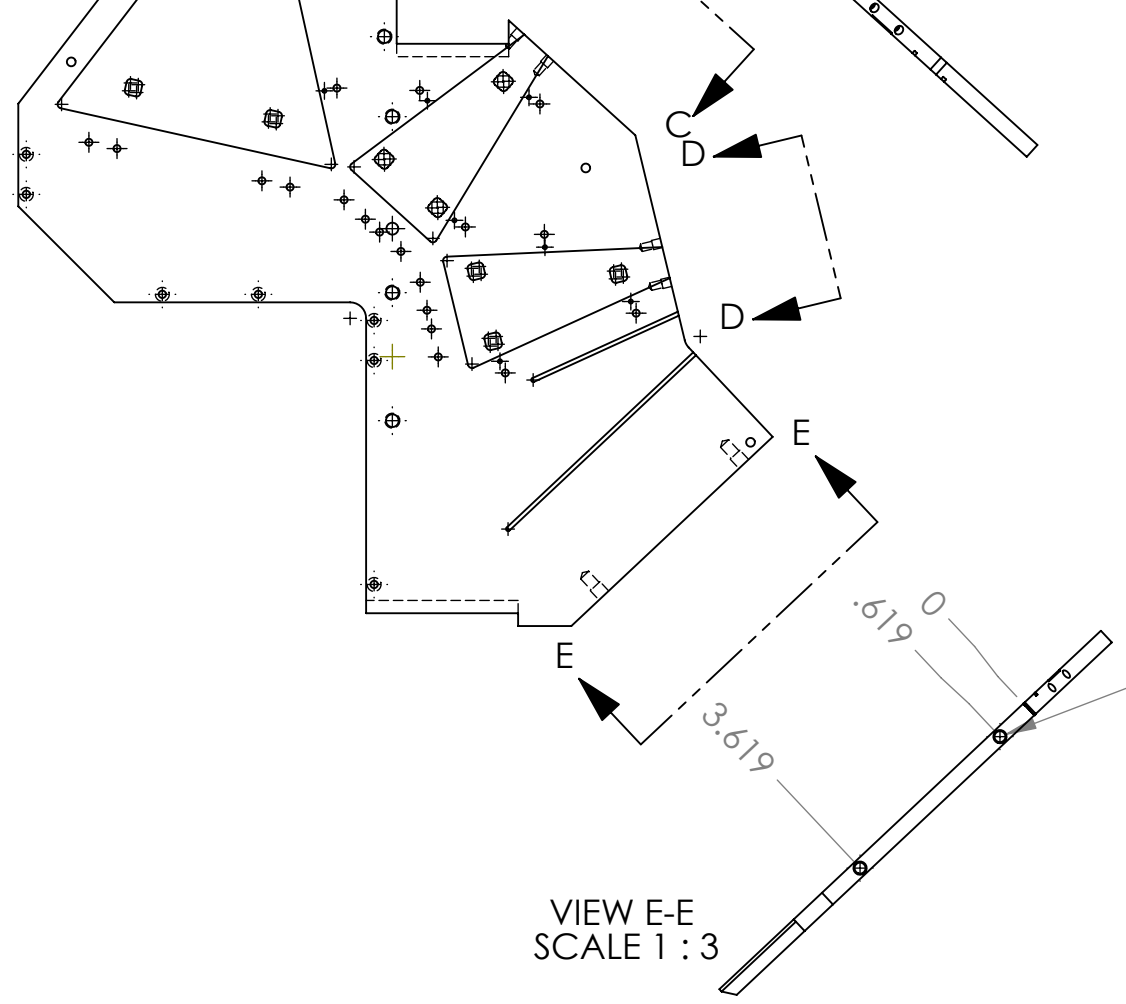
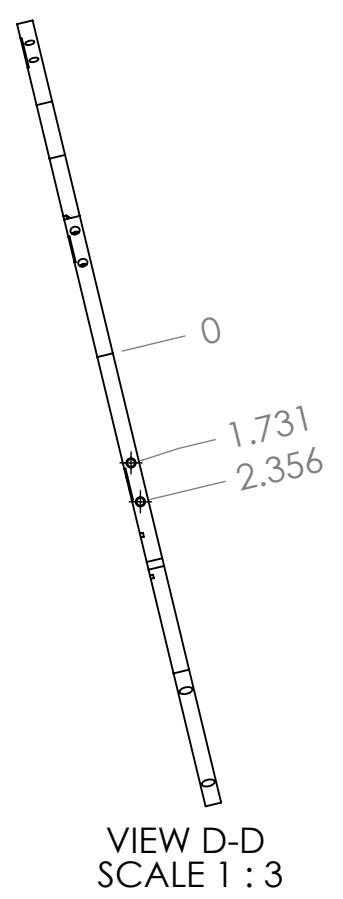
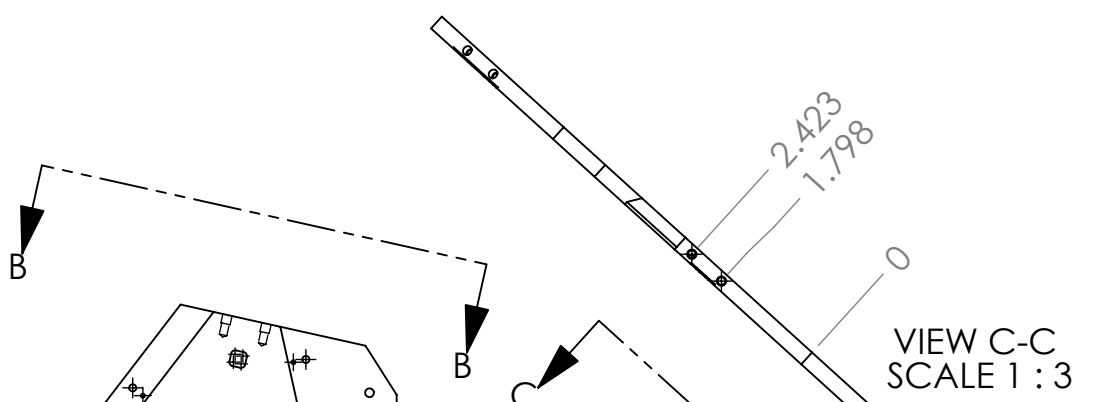
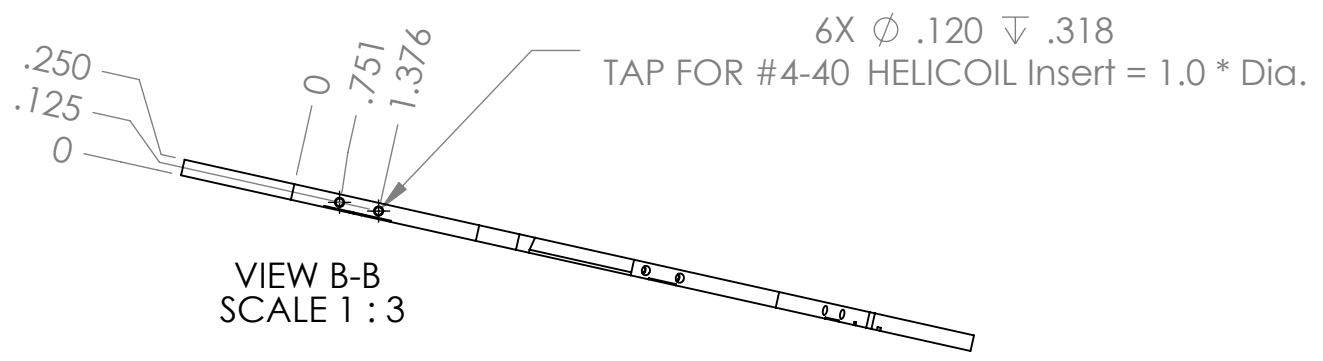


TRIPLESPEC

Cornell University
 Center for Radiophysics and Space Research - Ithaca, NY 14853

| | | |
|-------------------------------------|-------|-------|
| NAME: | INIT. | DATE: |
| DRAWN: | BB | |
| CHECKED: | | |
| APPROVED: | | |
| FABRICATED: | | |
| FILE: TRDOP11 PRISM ALIGNMENT PLATE | | |

| | | | |
|----------------|-----------------------|--------------|--------------|
| TITLE: | PRISM ALIGNMENT PLATE | | |
| SIZE: B | DRAWING # | TRDOP11 | REV 0 |
| SCALE: 1:4 | DATE: 10/16/2006 | SHEET 4 OF 5 | |



2X Ø .173 ∇ .438
TAP FOR #8-32 HELICOIL Insert = 1.0 * Dia.

UNLESS OTHERWISE SPECIFIED DIMENSIONS ARE IN INCHES, REMOVE BURS AND BREAK SHARP EDGES 0.005-0.010
TOLERANCES: .XX±.010 .XXX±.005 ANGLES ±0.5° UNLESS NOTED, ALL SURFACES 64 ∇ UNLESS NOTED
MATERIAL: 6061 T6 ALUMINUM
QNTY: 3

| | | |
|-------------------------------------|----------|-------|
| NAME: | INIT. BB | DATE: |
| DRAWN: | | |
| CHECKED: | | |
| APPROVED: | | |
| FABRICATED: | | |
| FILE: TRDOP11 PRISM ALIGNMENT PLATE | | |

| | | | |
|-------------------|-----------------------|---|--------------|
| TRIPLESPEC | | Cornell University Center for Radiophysics and Space Research - Ithaca, NY 14853 | |
| TITLE: | PRISM ALIGNMENT PLATE | | |
| SIZE: B | DRAWING # | TRDOP11 | REV 0 |
| SCALE: 1:4 | DATE: 10/16/2006 | SHEET 5 OF 5 | |