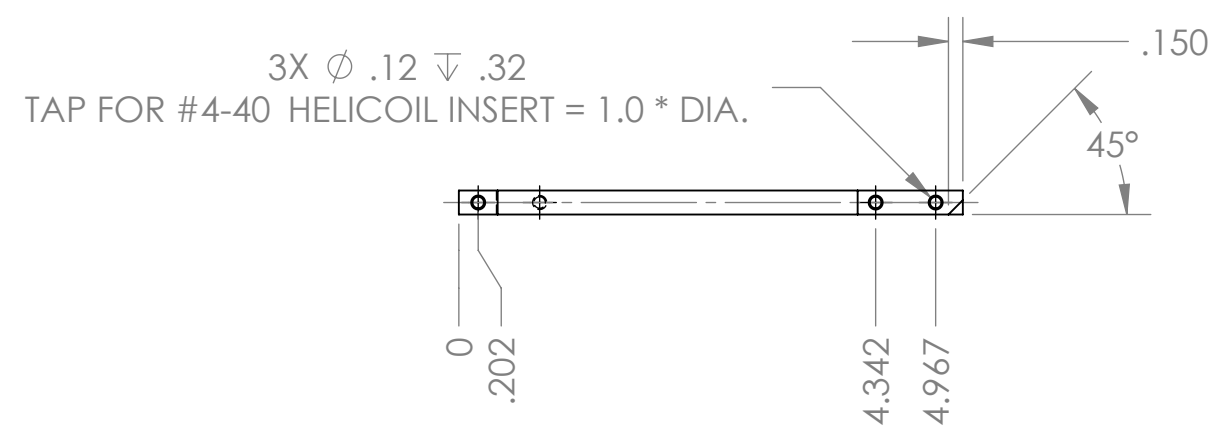
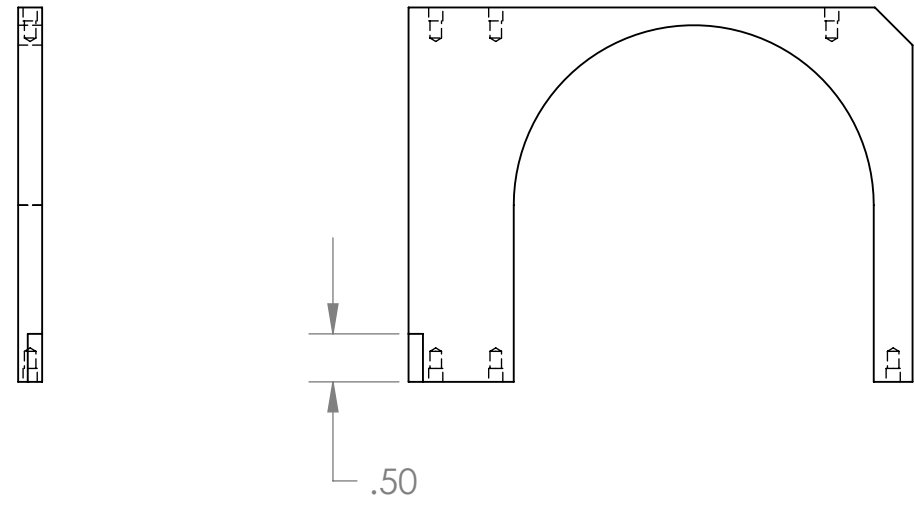
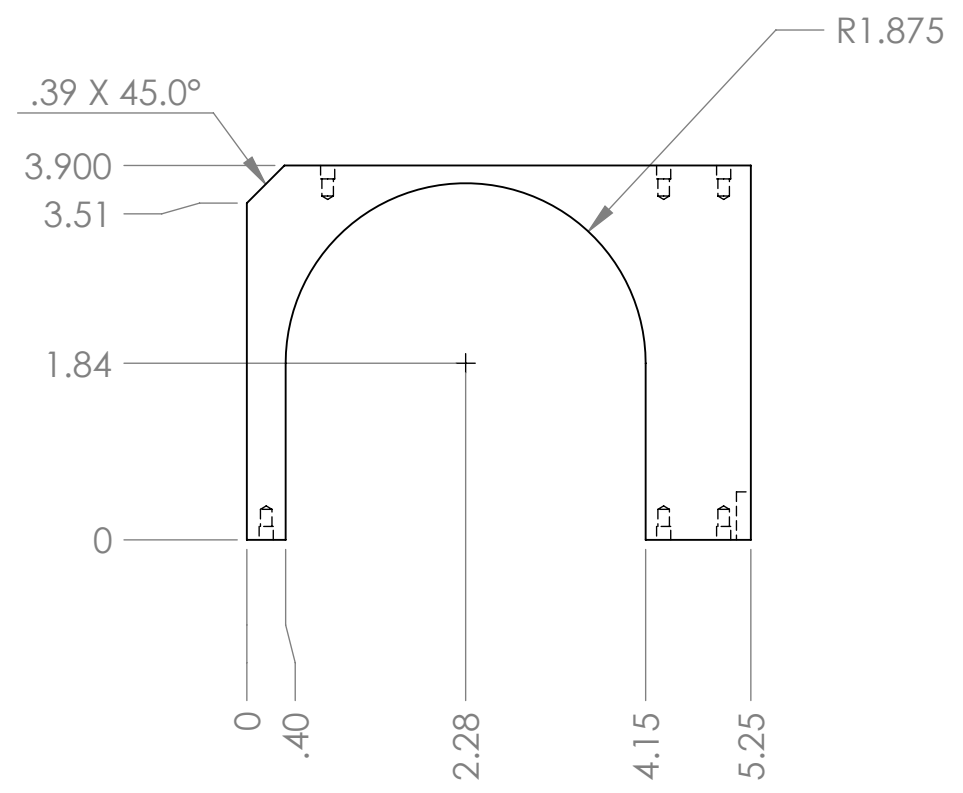
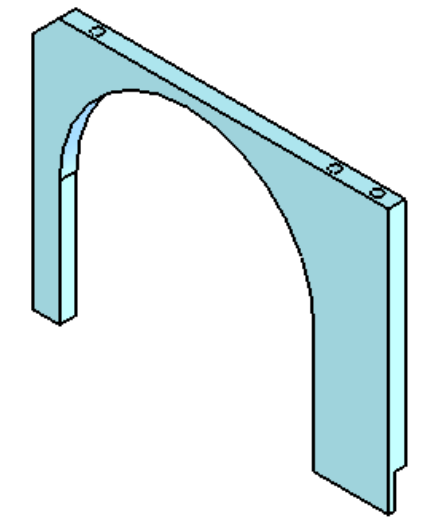
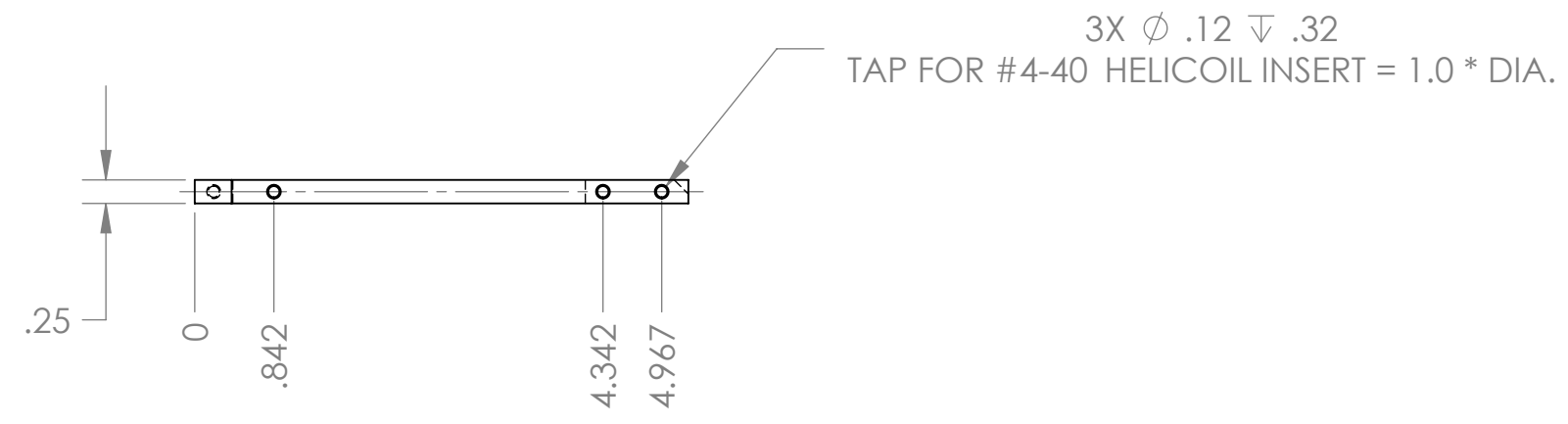


REVISIONS				
ZONE	REV.	DESCRIPTION	DATE	APPROVED
	0	INITIAL RELEASE.	08/18/06	CH
B3/A4	1	ADDED PARTIAL CHAMFER.	03/06/07	CH



UNLESS OTHERWISE SPECIFIED DIMENSIONS ARE IN INCHES, REMOVE BURS AND BREAK SHARP EDGES 0.005-0.010

TOLERANCES: .XX±.010 .XXX±.005 ANGLES ±0.5° UNLESS NOTED, ALL SURFACES 64 UNLESS NOTED

MATERIAL: 6061 Aluminum QNTY: 3

FILE: TRDOP39 Prism Box Brace

TRIPLESPEC

Cornell University
Center for Radiophysics and Space Research - Ithaca, NY 14853

NAME:	INIT.:	DATE:	TITLE:
DRAWN:	SCP	03/06/07	PRISM BOX BRACE
CHECKED:	CH	03/06/07	
APPROVED:			
FABRICATED:			

SIZE: B	DRAWING # TRDOP39	REV 1
SCALE: 1:2	DATE: 3/6/2007	SHEET 1 OF 1