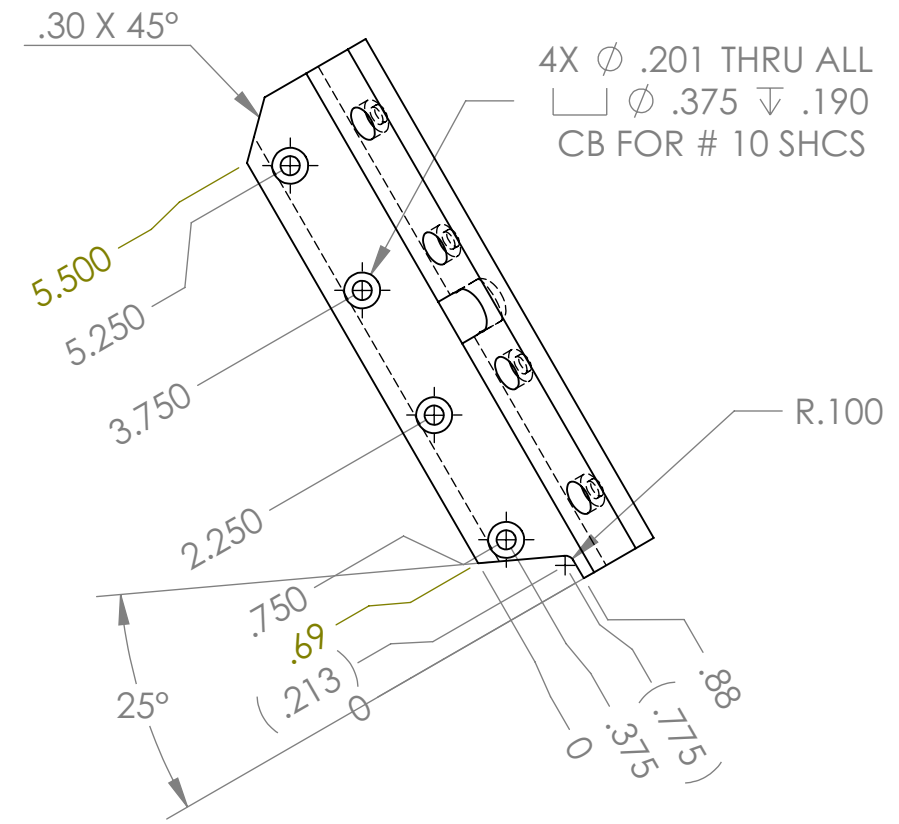
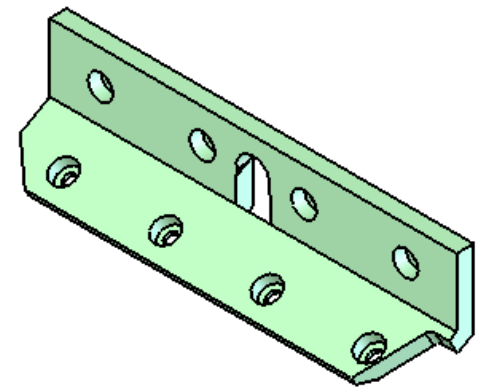
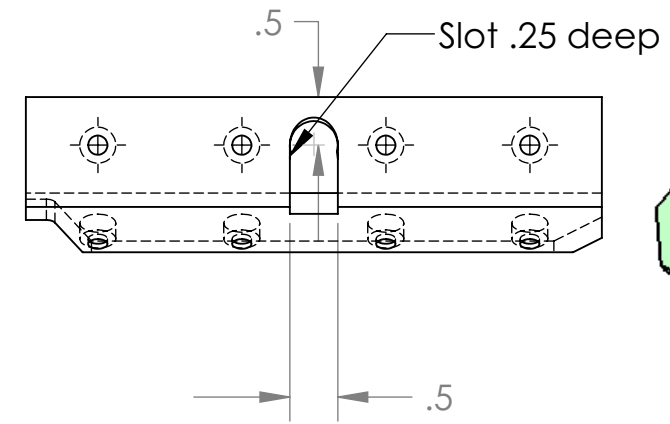
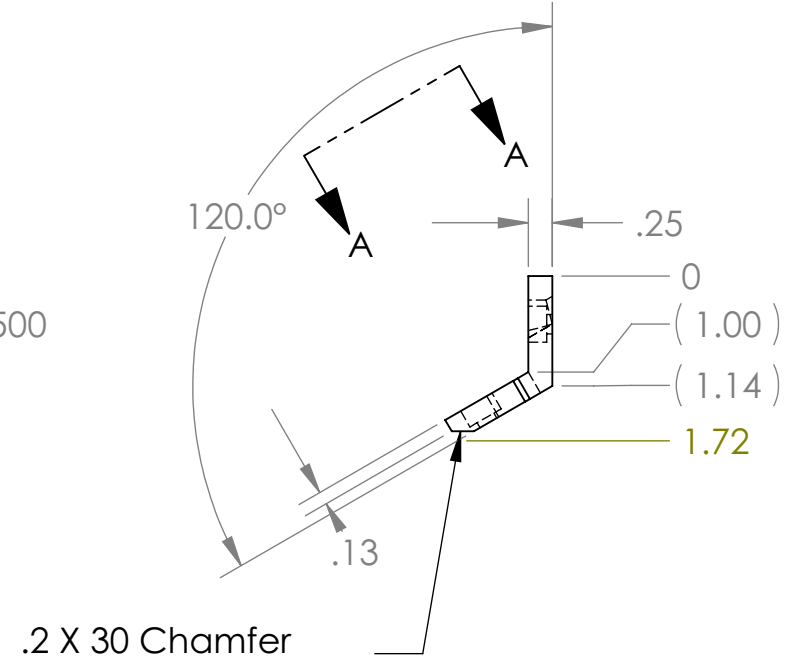
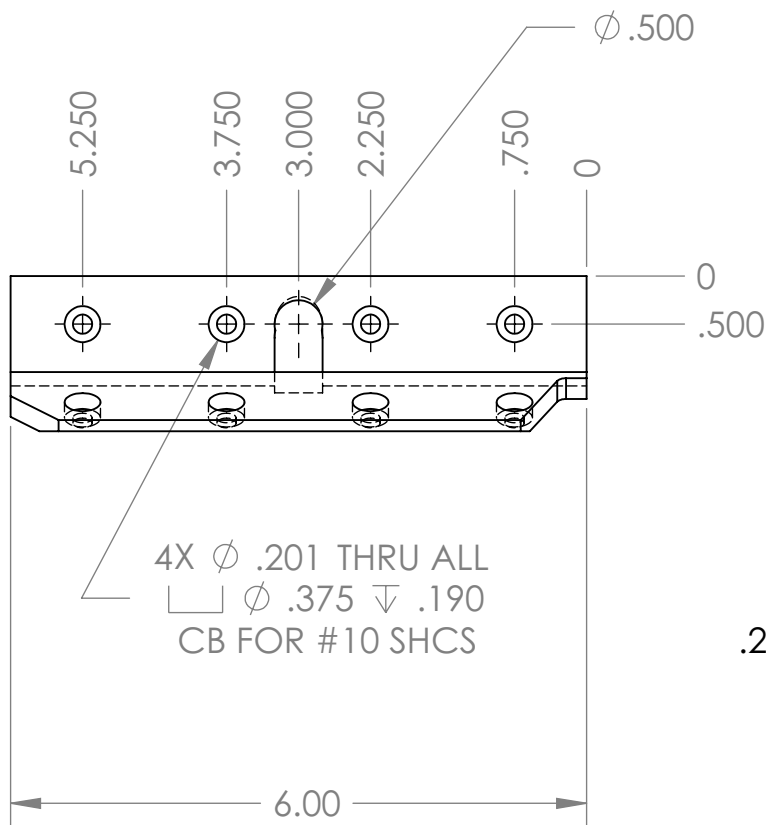


REVISIONS				
ZONE	REV.	DESCRIPTION	DATE	APPROVED
3D 2D	1	Chamfer and Slot	5NOV07	



VIEW A-A

UNLESS OTHERWISE SPECIFIED DIMENSIONS ARE IN INCHES, REMOVE BURS AND BREAK SHARP EDGES 0.005-0.010

TOLERANCES: .XX ± .010 .XXX ± .005
 ANGLES ± 0.5° UNLESS NOTED,
 ALL SURFACES 64 UNLESS NOTED

MATERIAL: 6061-T6 AL
 QTY: 3

TRIPLESPEC

Cornell University
 Center for Radiophysics and Space Research - Ithaca, NY 14853

NAME:	INIT.:	DATE:	TITLE:
DRAWN: SCP	INIT.:	DATE: 10/31/06	L PRISM BOX ANGLE
CHECKED: CH	INIT.:	DATE: 11/03/06	SIZE: B
APPROVED:	INIT.:	DATE:	DRAWING # TRDOP43
FABRICATED:	INIT.:	DATE:	REV 1

FILE: TRDOP43 L Prism Box Angle

SCALE: 1:2

DATE: 11/5/2007

SHEET 1 OF 1