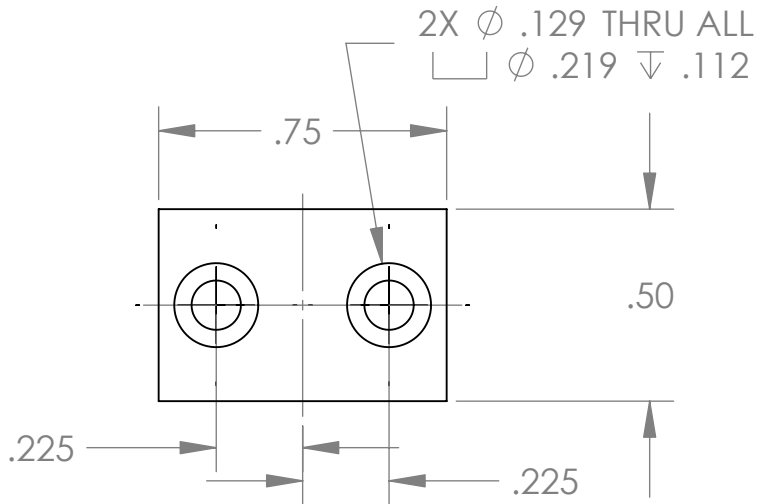
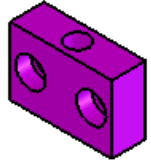
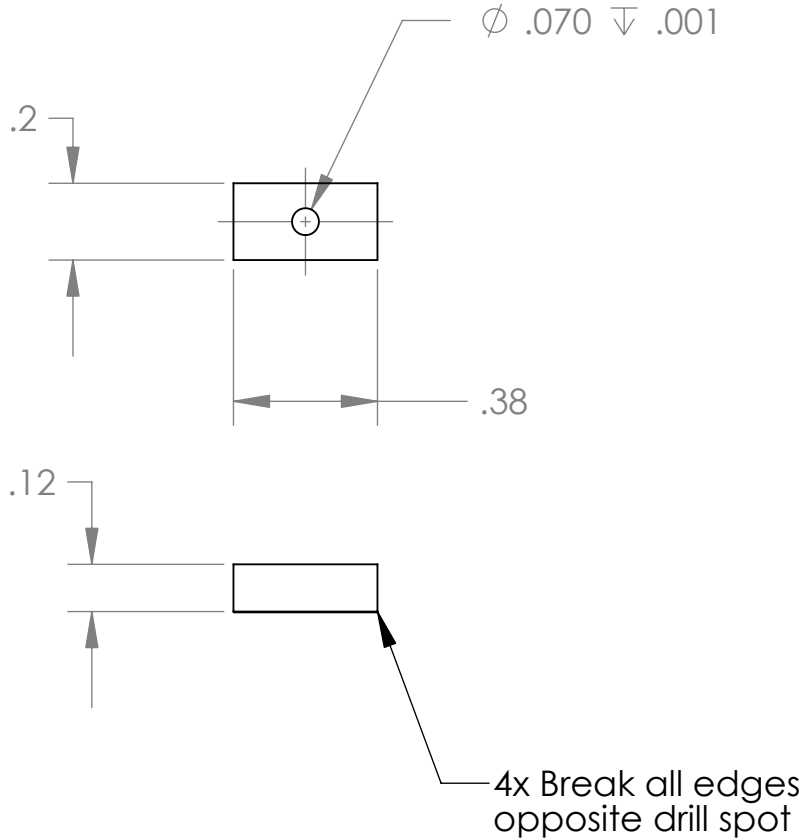


REVISIONS				
REV.	ZONE	DESCRIPTION	DATE	APPROVED
0		Initial Release.	8/31/2004	



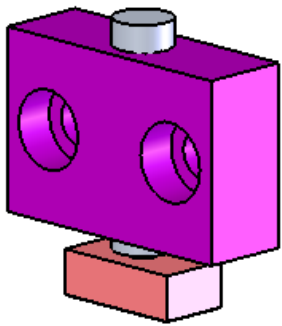
TRDOP75 8-32 BLOCK

Qty: 18



TRDOP76 8-32 PAD

Qty: 45



TRDOPA1 Prism Pusher

Qty: 18

UNLESS OTHERWISE SPECIFIED DIMENSIONS ARE IN INCHES, REMOVE BURRS AND BREAK SHARP EDGES 0.005-0.010  
 TOLERANCES: .XX ± .010 .XXX ± .005  
 ANGLES ± 0.5° UNLESS NOTED, ALL SURFACES 64 UNLESS NOTED

MATERIAL: 6061 Aluminum



**TRIPLESPEC**

Cornell University  
 Center for Radiophysics and Space Research - Ithaca, NY 14853

NAME:	INIT.	DATE:
DRAWN:	CH	
CHECKED:		
APPROVED:		
FABRICATED:		

TITLE:	Prism Pusher + Pads		
SIZE:	B	DRAWING #	TRDOP75-76
SCALE:	2:1	DATE:	10/17/2006
		SHEET	1 OF 1

REV 0

FILE: TRDOPA1X Prism Pusher