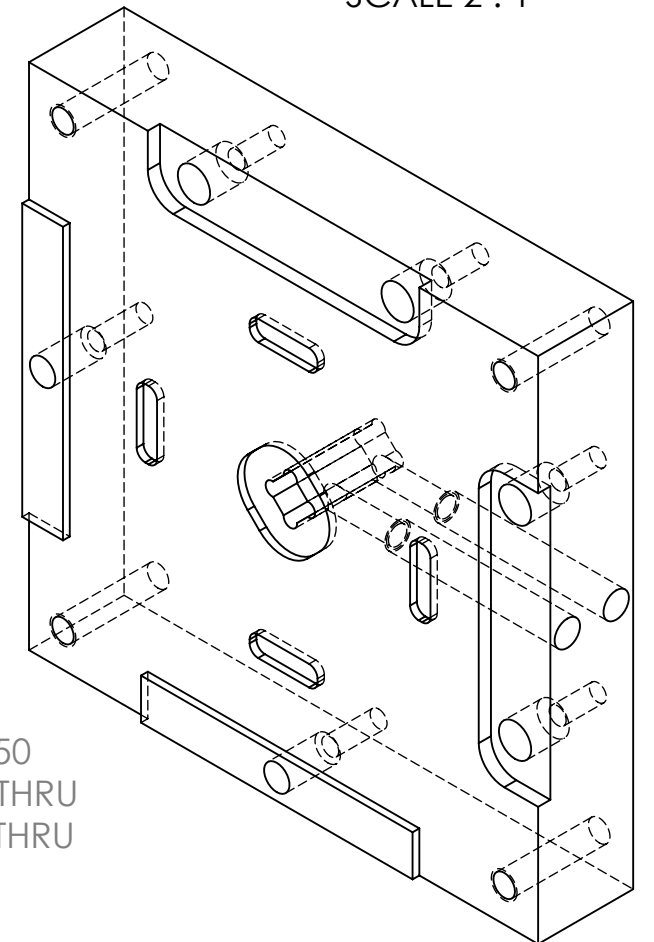
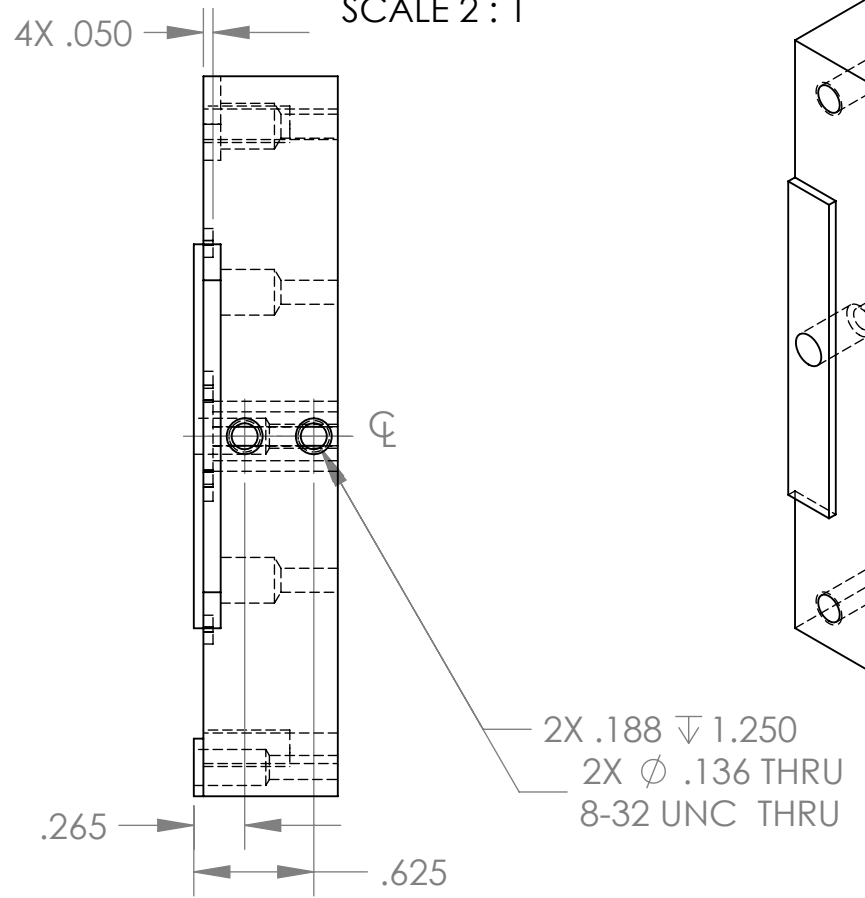
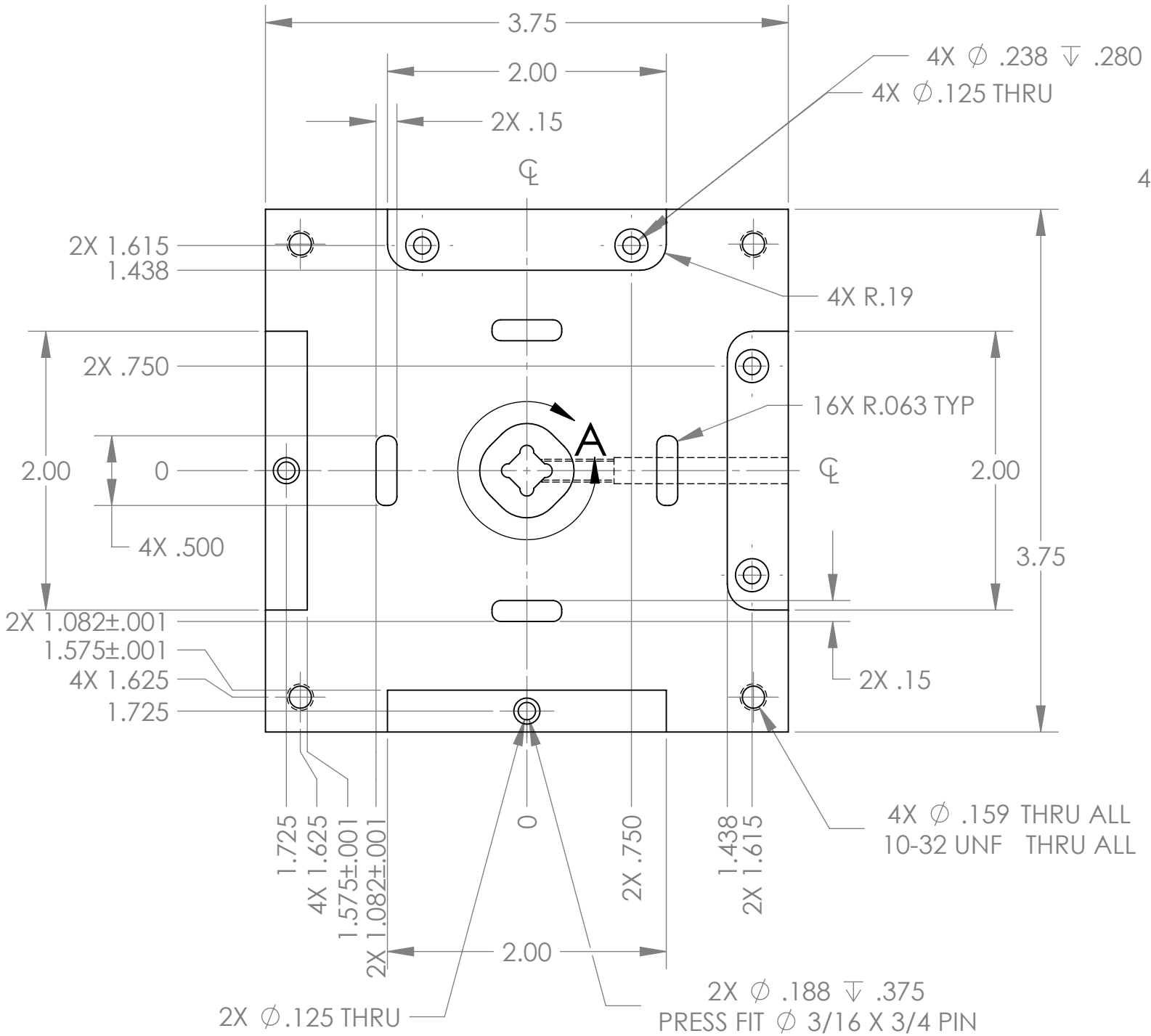
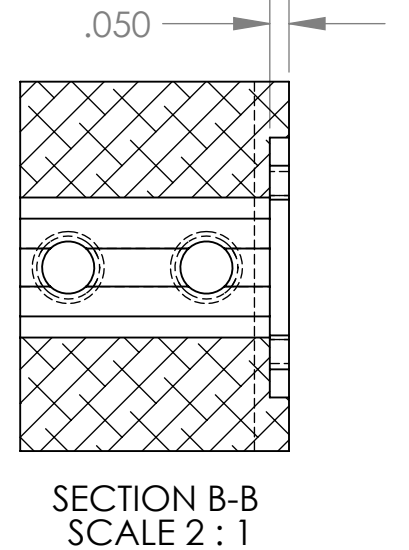
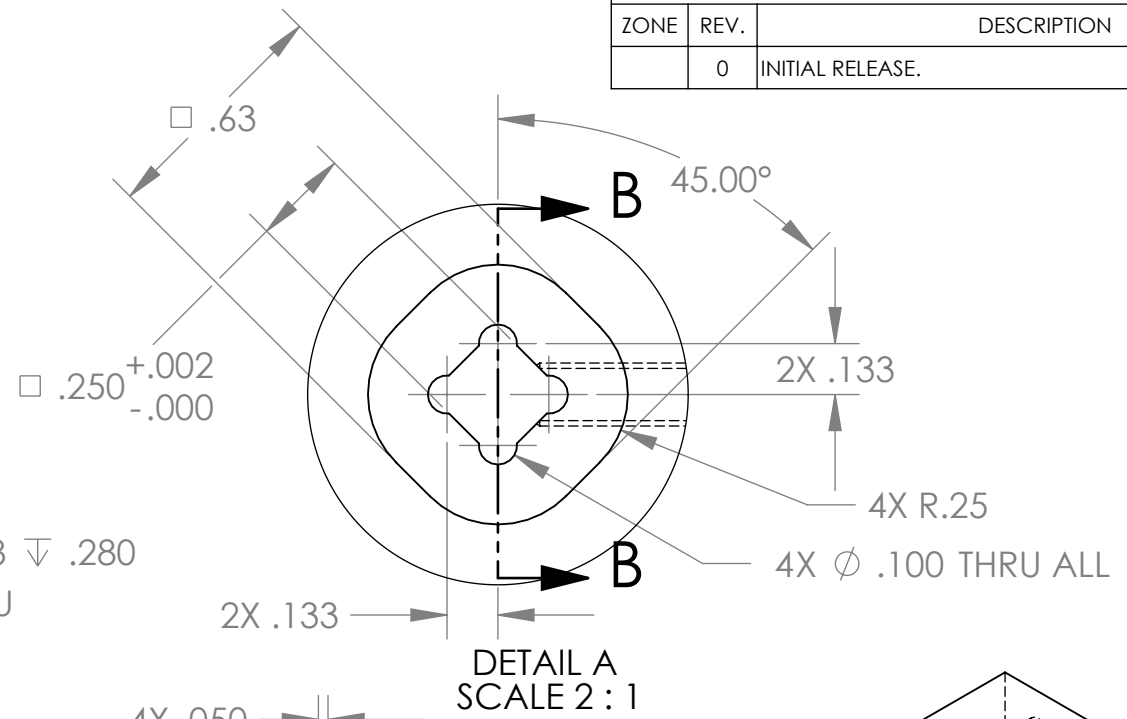
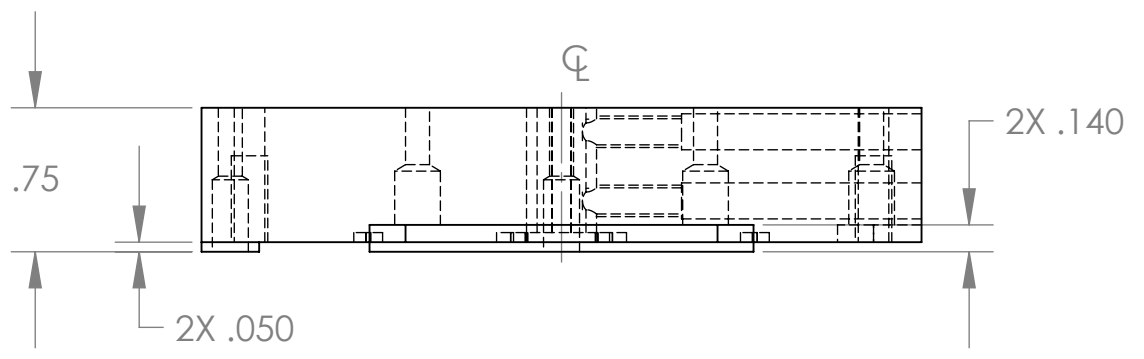


REVISIONS				
ZONE	REV.	DESCRIPTION	DATE	APPROVED
	0	INITIAL RELEASE.	05/31/07	JCW



UNLESS OTHERWISE SPECIFIED DIMENSIONS ARE IN INCHES, REMOVE BURS AND BREAK SHARP EDGES 0.005-0.010		TOLERANCES: .XX \pm .010 .XXX \pm .005		ANGLES \pm 0.5° UNLESS NOTED, ALL SURFACES 64 UNLESS NOTED		MATERIAL: 6061-T6 ALUM		QTY: 1	
DRAWN: SCP		INIT: JCW		DATE: 05/24/07		DATE: 05/31/07		TITLE: SLIT SHAFT GLUING JIG, BASE	
CHECKED:		APPROVED:		FABRICATED:		SIZE: B		DRAWING #	
FILE: Slit shaft gluing jig, base		SCALE: 1:1		DATE: 5/31/2007		SHEET 1 OF 1		REV 0	

TRIPLESPEC Cornell University
Center for Radiophysics and Space Research - Ithaca, NY 14853