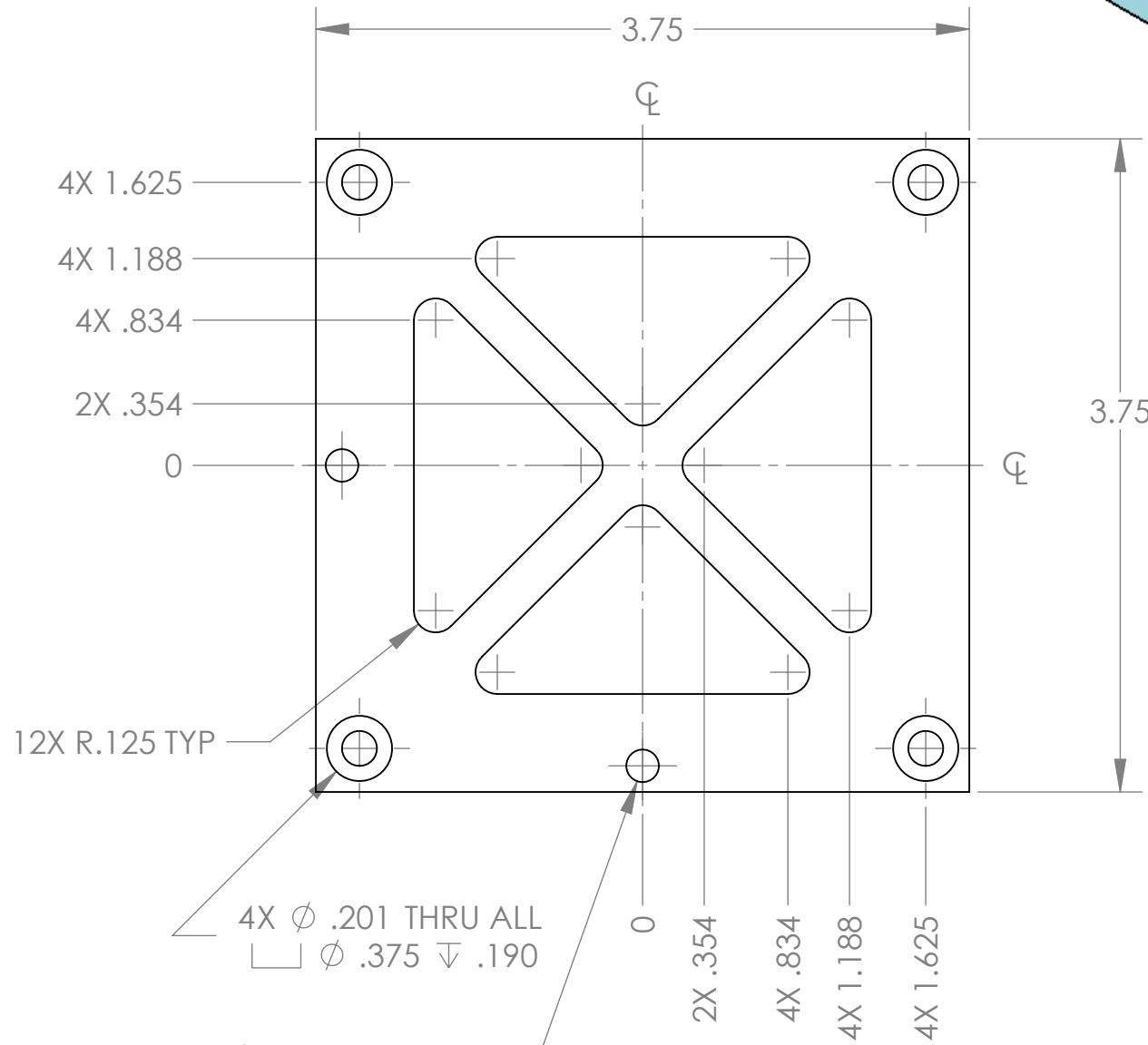
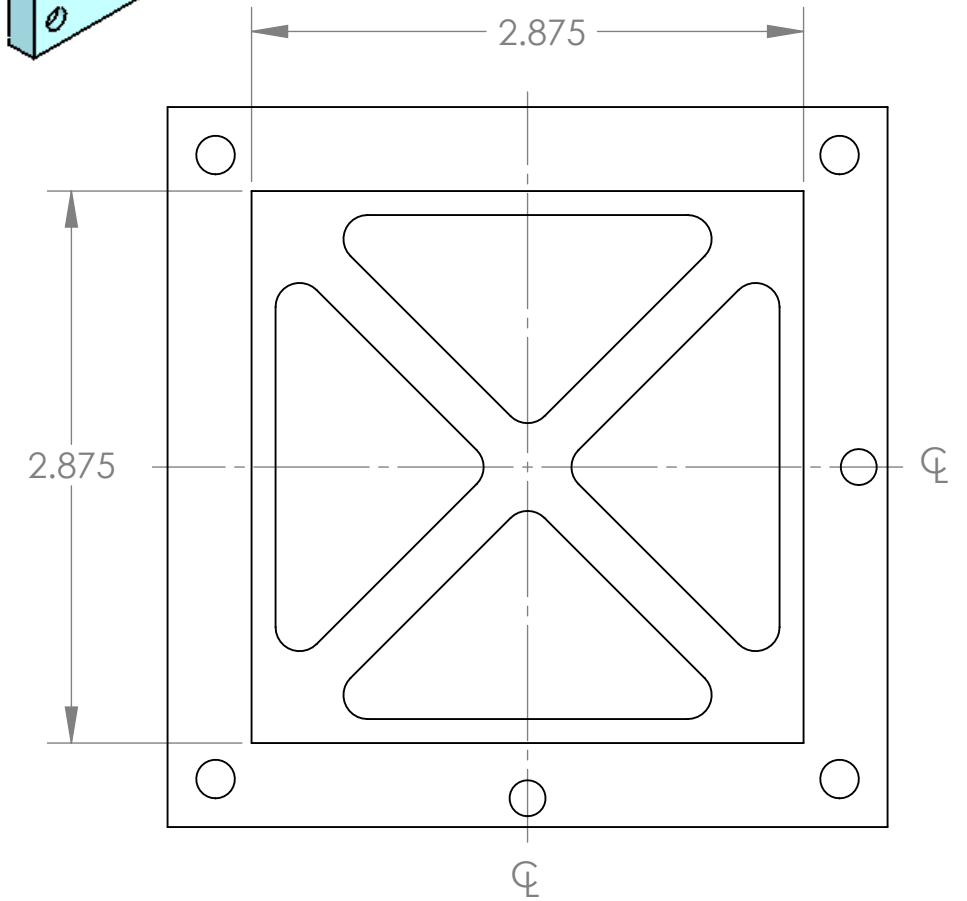
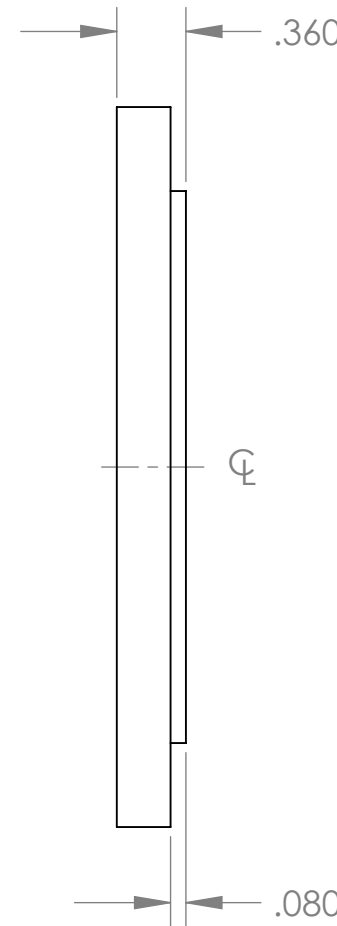
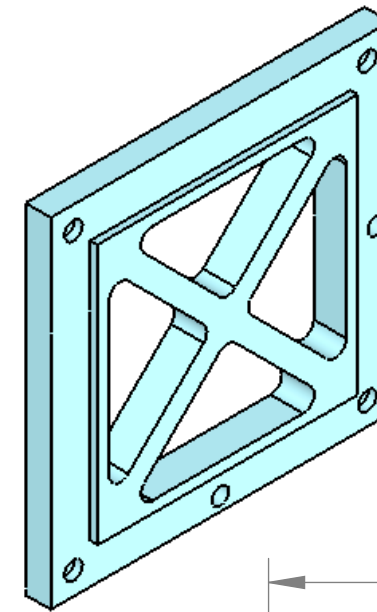
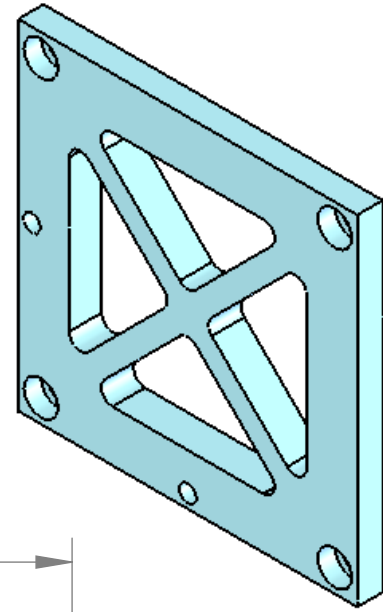


REVISIONS				
ZONE	REV.	DESCRIPTION	DATE	APPROVED
	0	INITIAL RELEASE.	05/31/07	JCW



UNLESS OTHERWISE SPECIFIED DIMENSIONS ARE IN INCHES, REMOVE BURRS AND BREAK SHARP EDGES 0.005-0.010
TOLERANCES: .XX \pm .010 .XXX \pm .005
ANGLES \pm 0.5 $^\circ$ UNLESS NOTED, ALL SURFACES 64 UNLESS NOTED
MATERIAL: 6061-T6 ALUM
QTY: 1

NAME: TRIPLESPEC
INIT. DATE: SCP 05/24/07
DRAWN: JCW 05/31/07
CHECKED: JCW 05/31/07
APPROVED:
FABRICATED:
FILE: Slit shaft gluing jig, clamp

Cornell University
Center for Radiophysics and Space Research - Ithaca, NY 14853
TITLE: SLIT SHAFT GLUING JIG, CLAMP
SIZE: B DRAWING #
REV 0
SCALE: 1:1 DATE: 5/31/2007 SHEET 1 OF 1