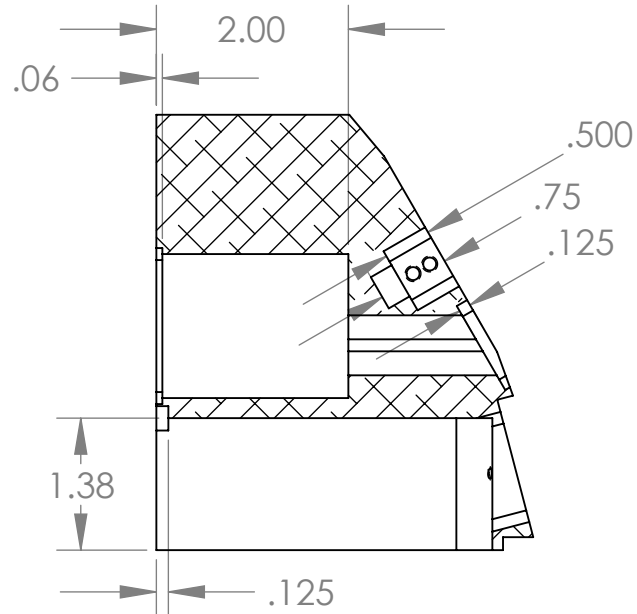
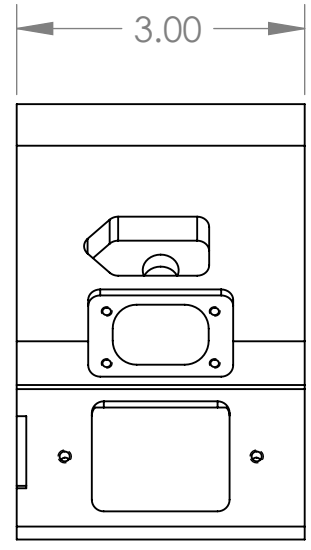
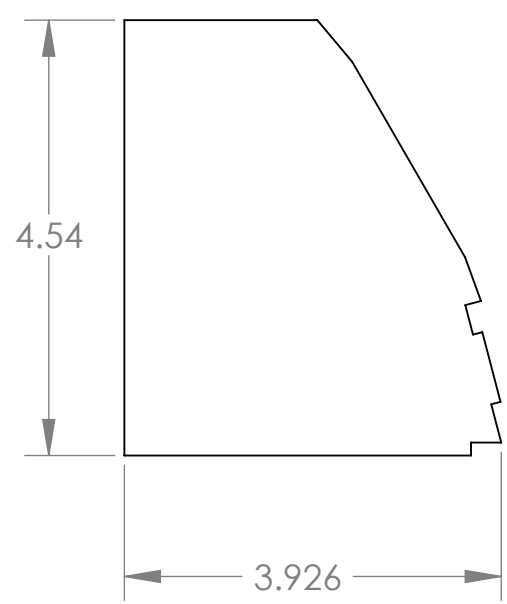
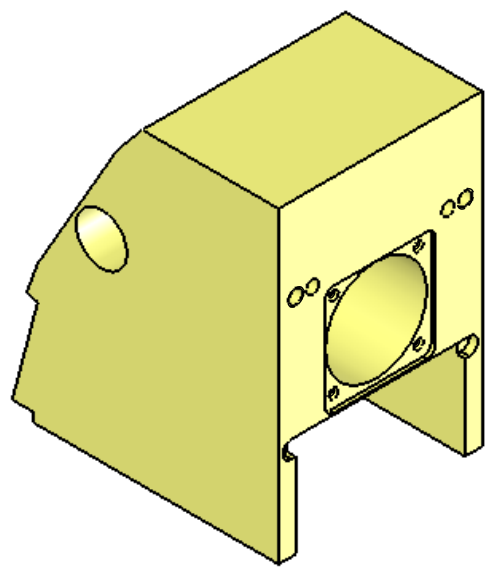
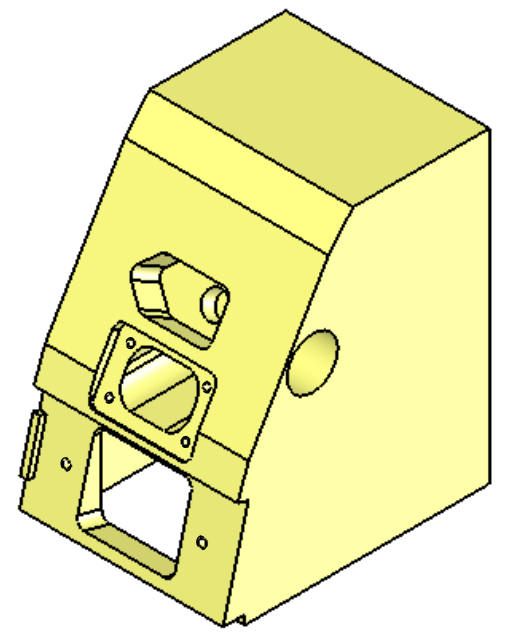


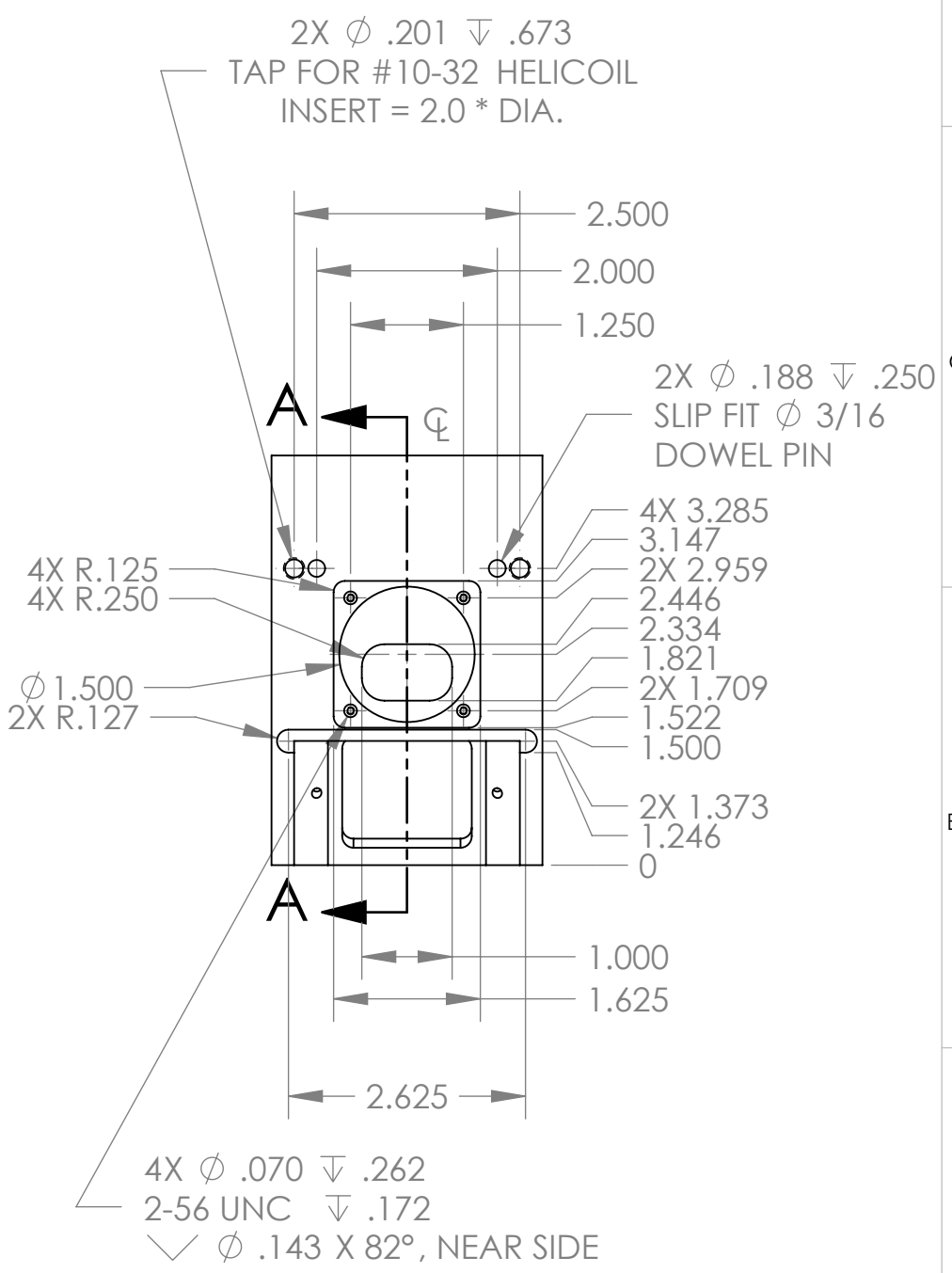
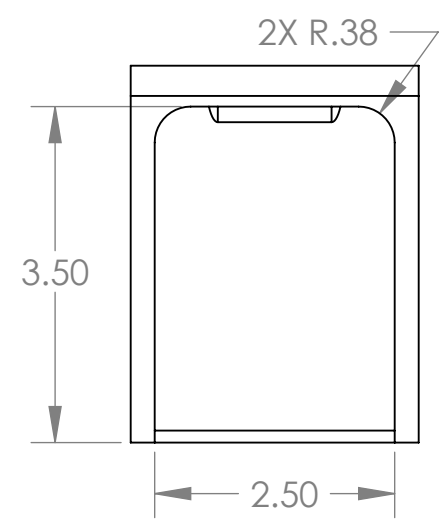
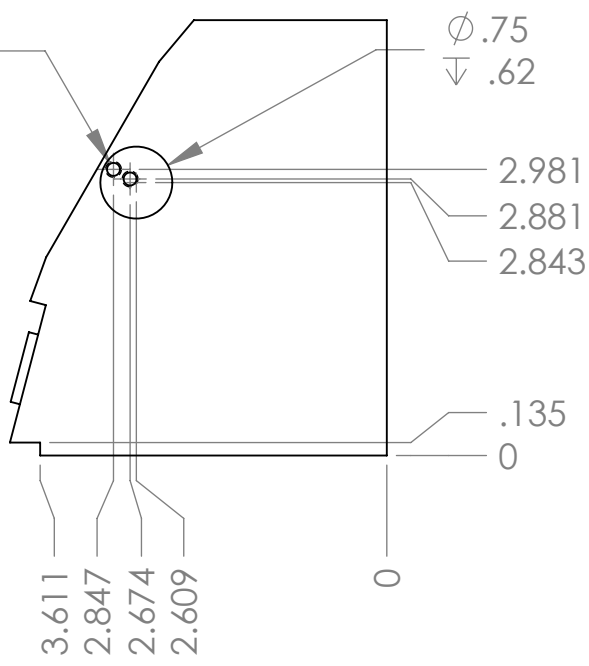
REVISIONS				
ZONE	REV.	DESCRIPTION	DATE	APPROVED
	0	INITIAL RELEASE.	05/08/07	CH



SECTION A-A



2X ϕ .136 THRU
8-32 UNC ∇ .370



UNLESS OTHERWISE SPECIFIED DIMENSIONS ARE IN INCHES, REMOVE BURRS AND BREAK SHARP EDGES 0.005-0.010

TOLERANCES: .XX \pm .010 .XXX \pm .005
ANGLES \pm 0.5° UNLESS NOTED,
ALL SURFACES 64 ∇ UNLESS NOTED

MATERIAL: 6061-T6 ALUM
QTY: 1

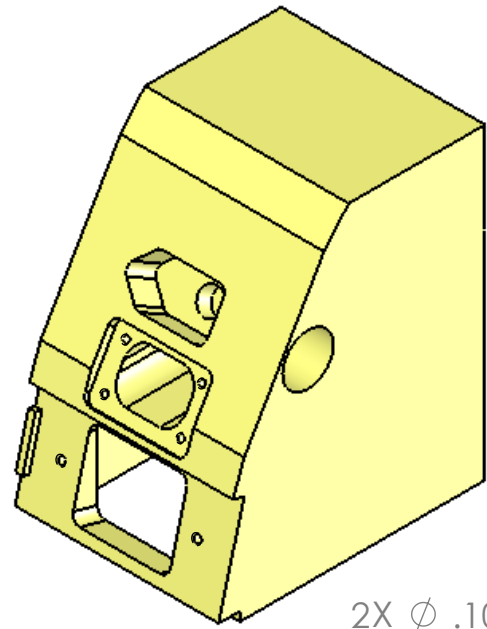
TRIPLESPEC
Cornell University
Center for Radiophysics and Space Research - Ithaca, NY 14853

NAME:	INIT:	DATE:	TITLE:
DRAWN:	SCP	05/08/07	SLIT BLOCK, Keck
CHECKED:	CH	05/15/07	
APPROVED:			
FABRICATED:			

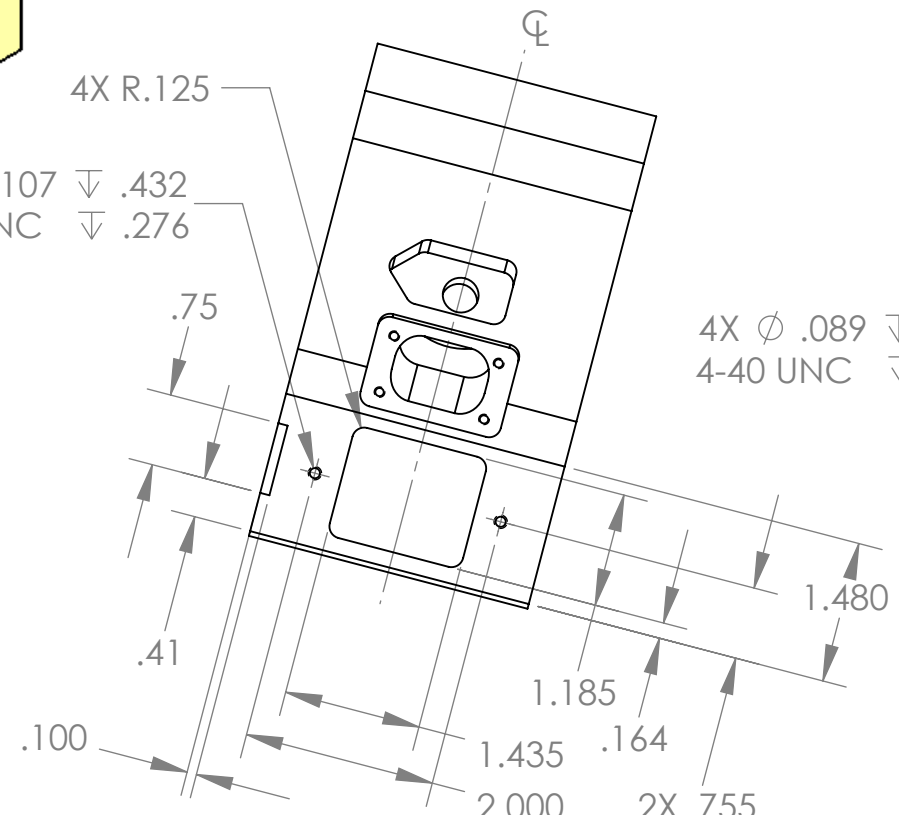
FILE: TRDOP17B SLIT BLOCK, KECK

SIZE: B DRAWING # TRDOP17B REV 0

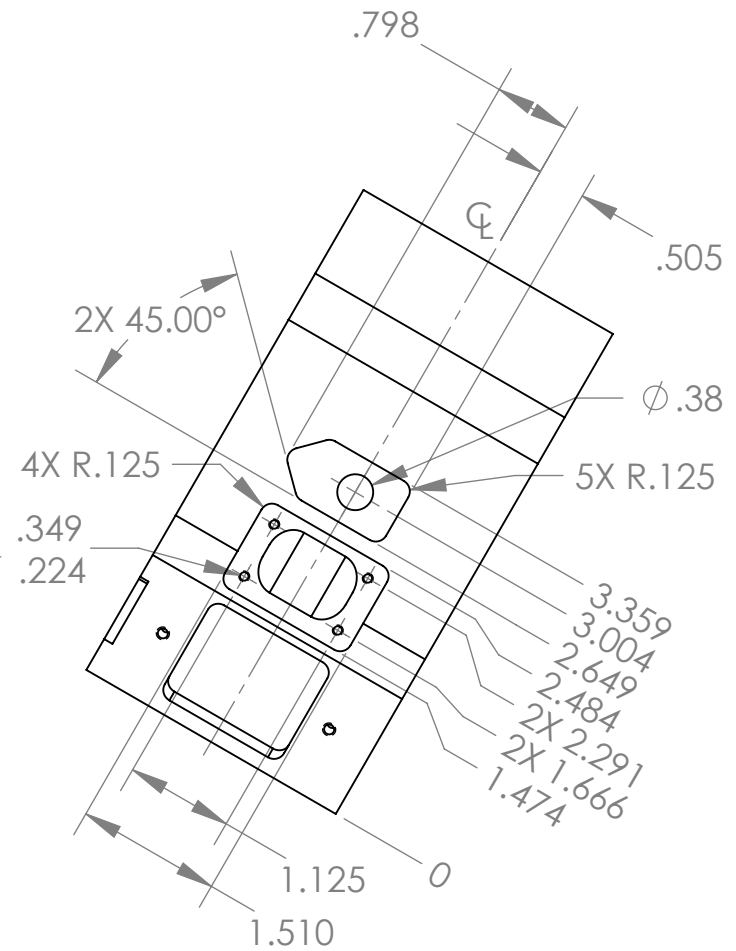
SCALE: 1:2 DATE: 5/15/2007 SHEET 1 OF 2



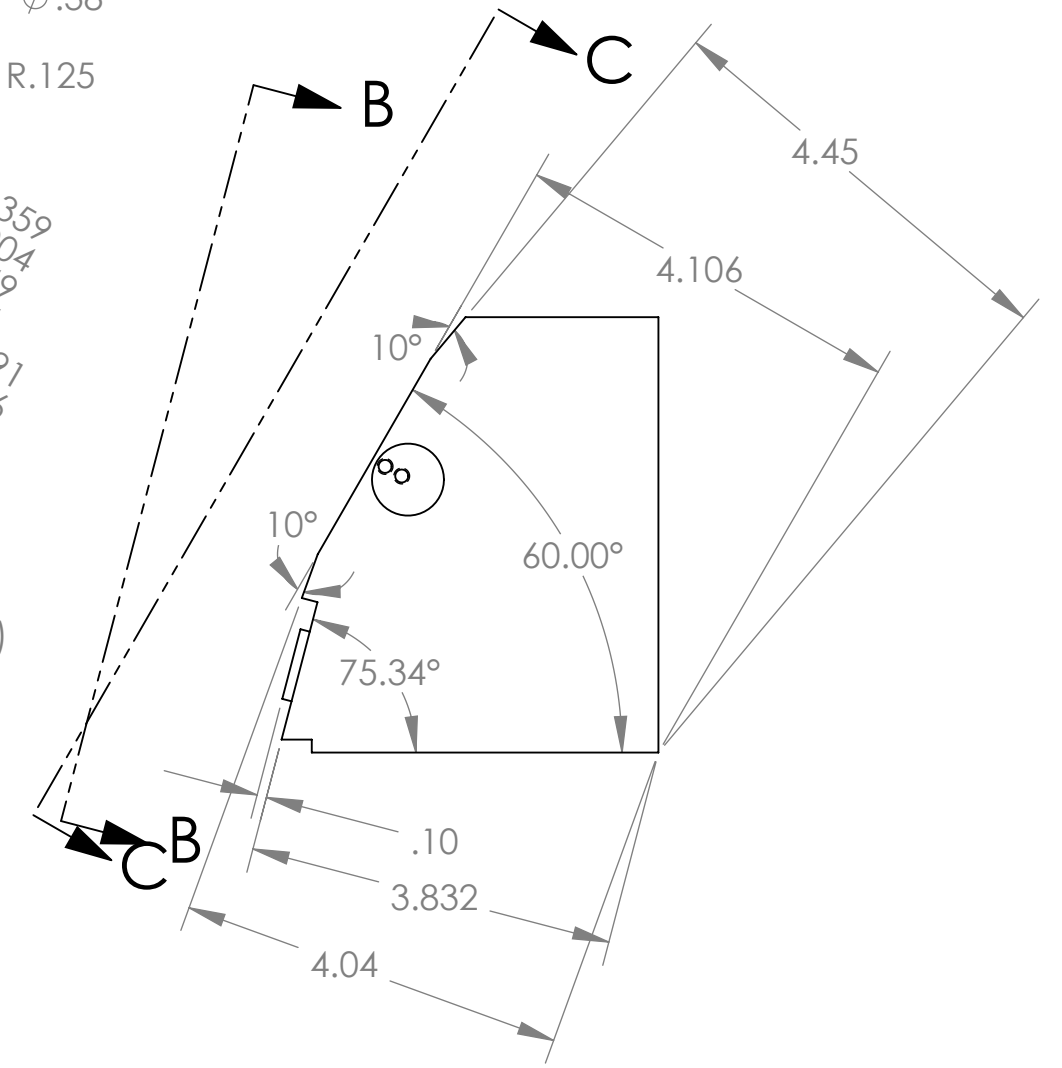
2X ϕ .107 ∇ .432
6-32 UNC ∇ .276



VIEW B-B



VIEW C-C
(SEE SECTION A-A FOR POCKET DEPTHS.)



UNLESS OTHERWISE SPECIFIED DIMENSIONS ARE IN INCHES, REMOVE BURS AND BREAK SHARP EDGES 0.005-0.010

TOLERANCES: .XX±.010 .XXX±.005
ANGLES ±0.5° UNLESS NOTED,
ALL SURFACES 64 ∇ UNLESS NOTED

MATERIAL: 6061-T6 ALUM
QTY: 1

NAME:	INIT.	DATE:
DRAWN:	SCP	05/08/07
CHECKED:	CH	05/15/07
APPROVED:		
FABRICATED:		
FILE: TRDOP17B SLIT BLOCK, KECK		

TRIPLESPEC		Cornell University Center for Radiophysics and Space Research - Ithaca, NY 14853	
TITLE:	SLIT BLOCK, Keck		
SIZE:	B	DRAWING #	TRDOP17B
SCALE:	1:2	DATE:	5/15/2007
		SHEET	2 OF 2
		REV	0