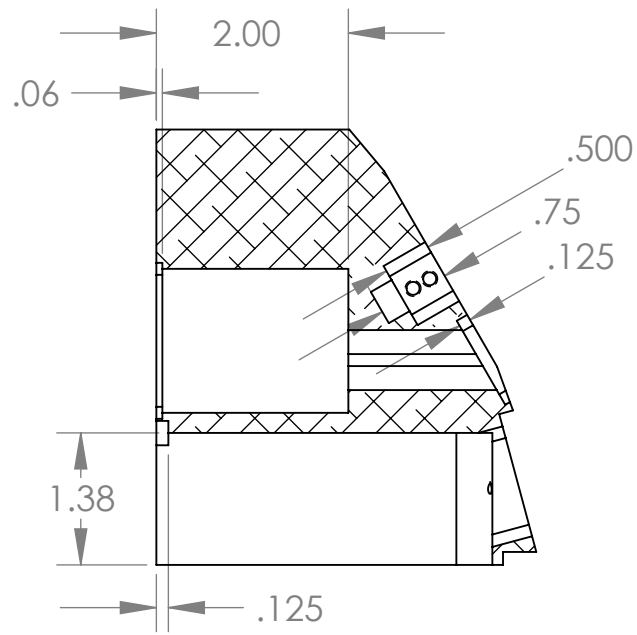
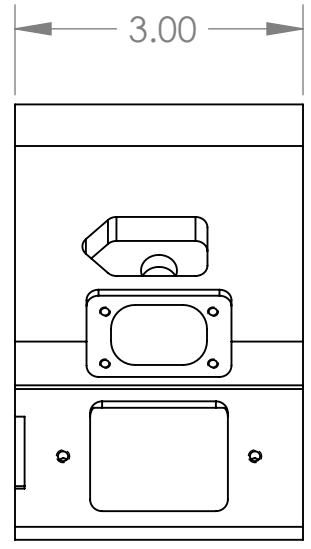
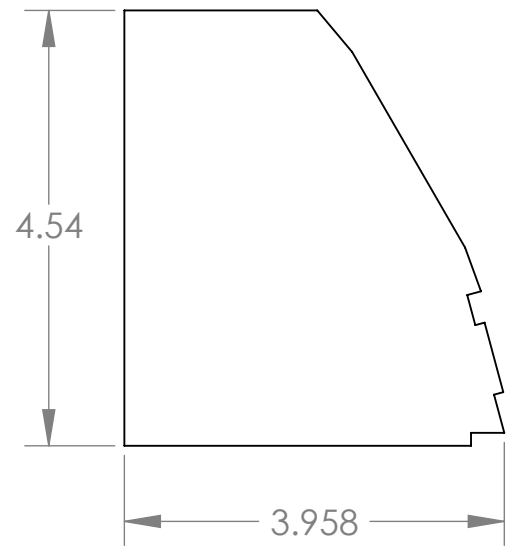
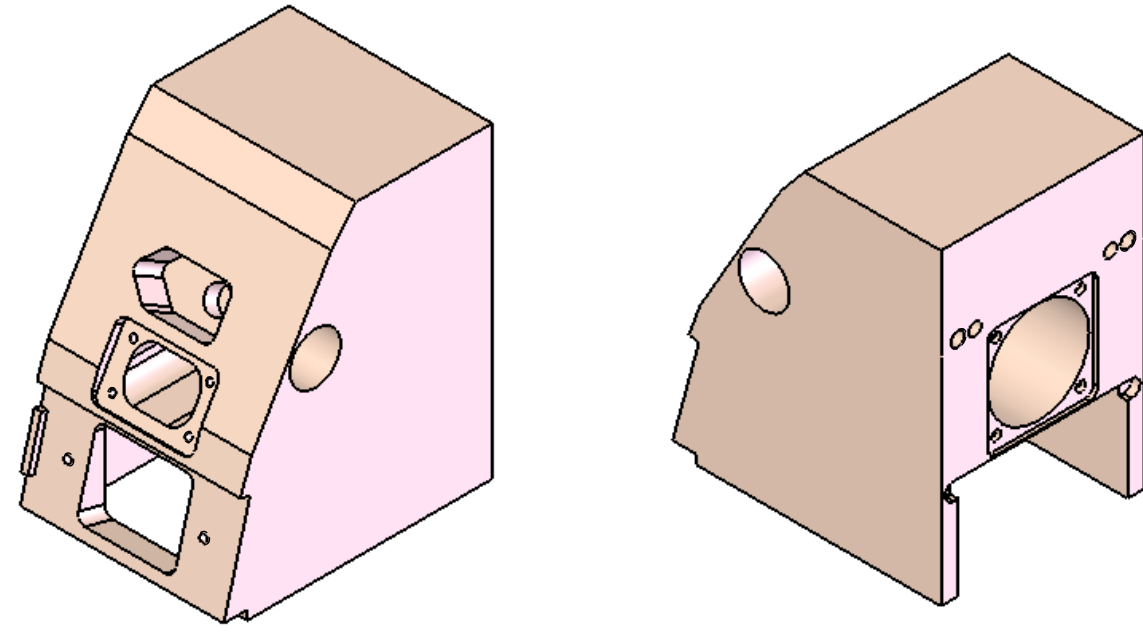


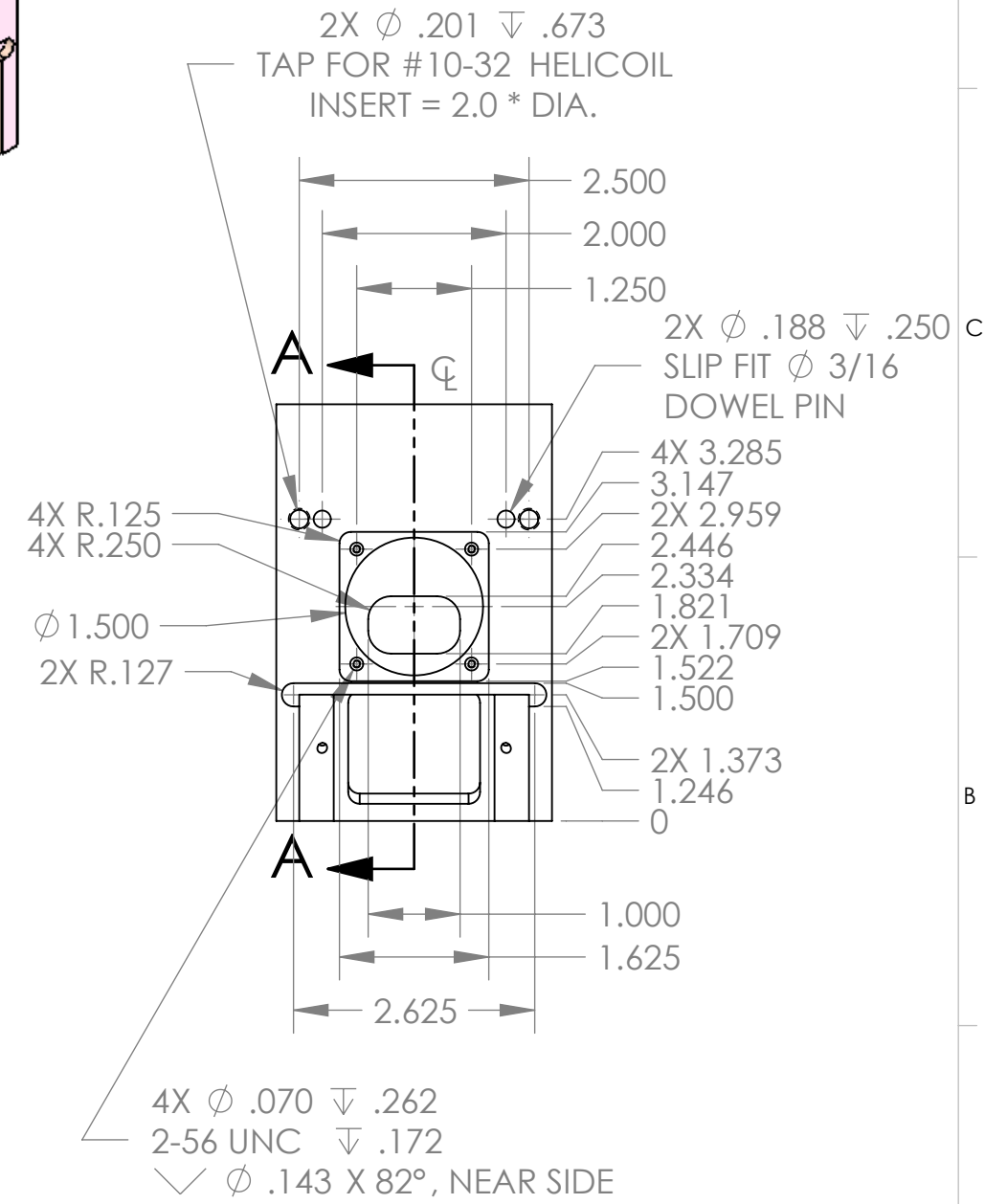
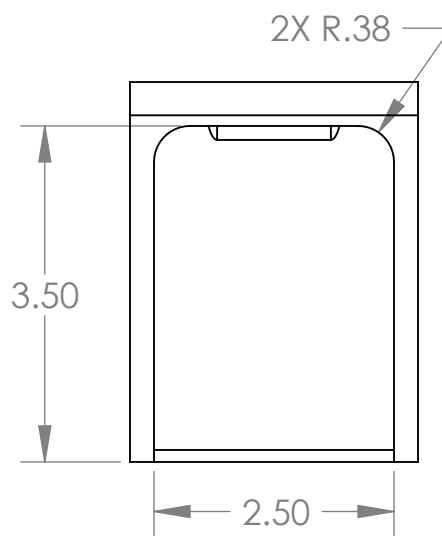
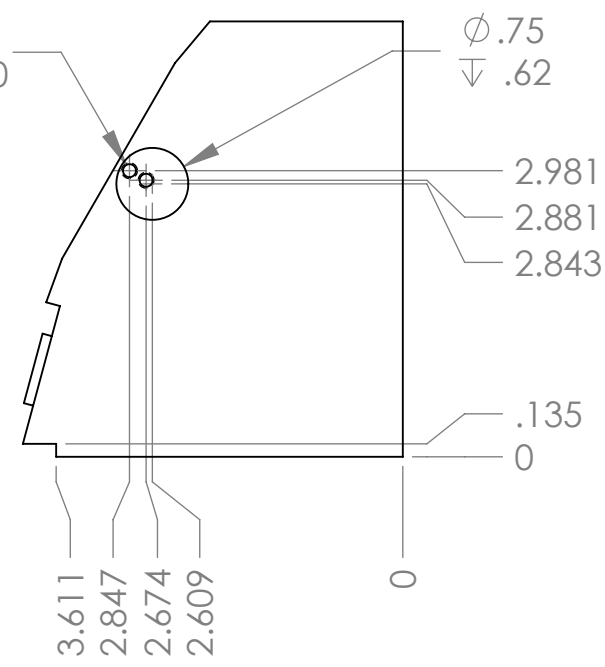
REVISIONS				
ZONE	REV.	DESCRIPTION	DATE	APPROVED
	0	INITIAL RELEASE.	05/08/07	CH



SECTION A-A



2X ϕ .136 THRU
8-32 UNC ∇ .370



UNLESS OTHERWISE SPECIFIED DIMENSIONS ARE IN INCHES, REMOVE BURRS AND BREAK SHARP EDGES 0.005-0.010

TOLERANCES: .XX \pm .010 .XXX \pm .005
 ANGLES \pm 0.5° UNLESS NOTED,
 ALL SURFACES 64 ∇ UNLESS NOTED

MATERIAL: 6061-T6 ALUM
 QTY: 1

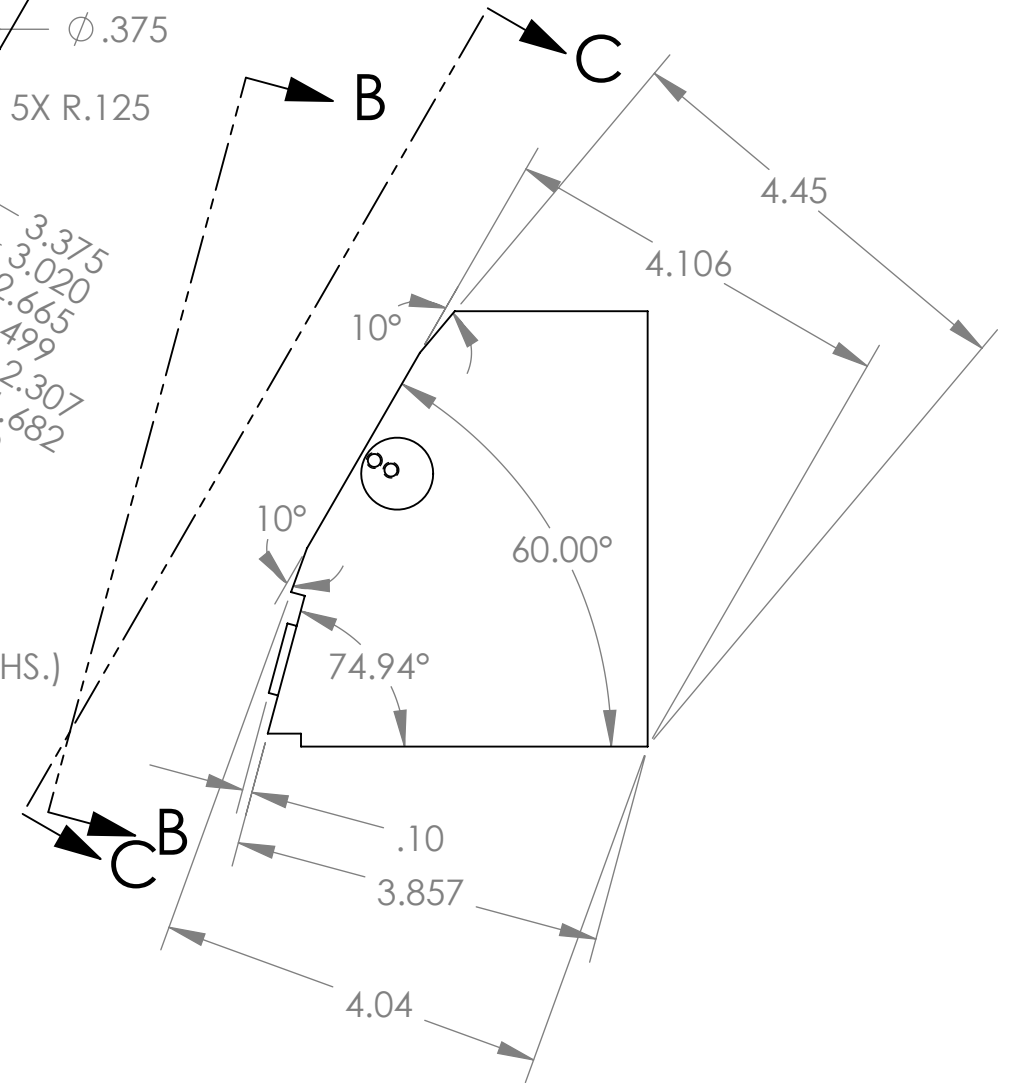
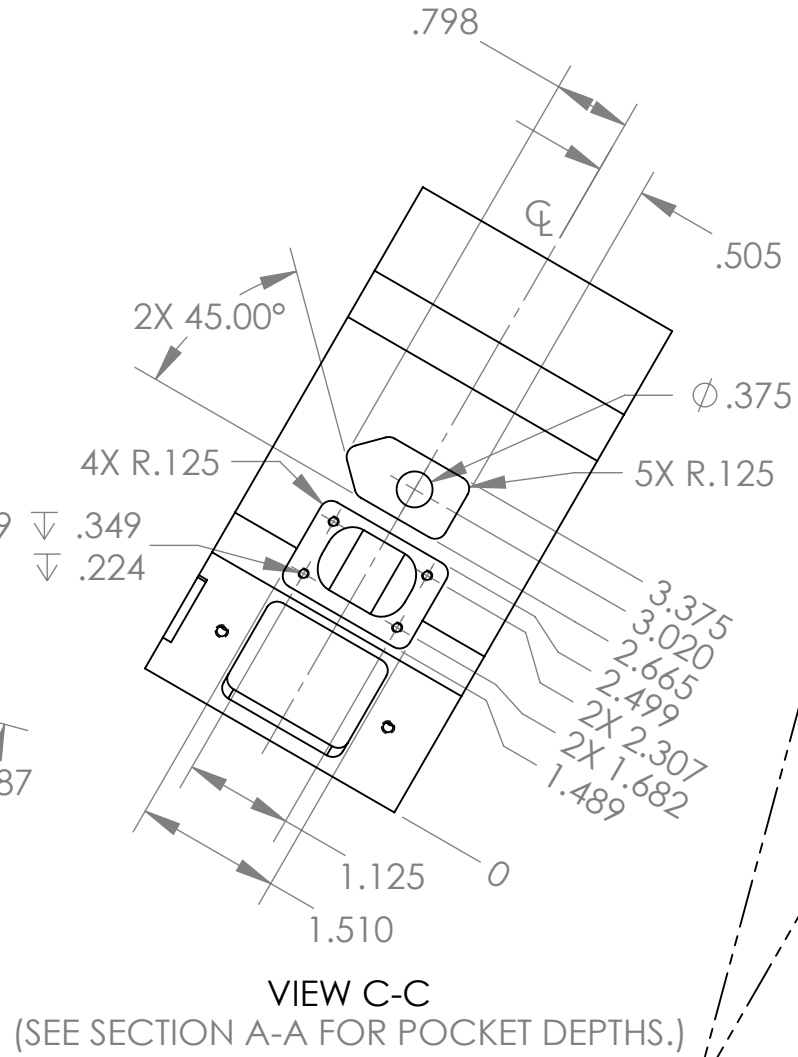
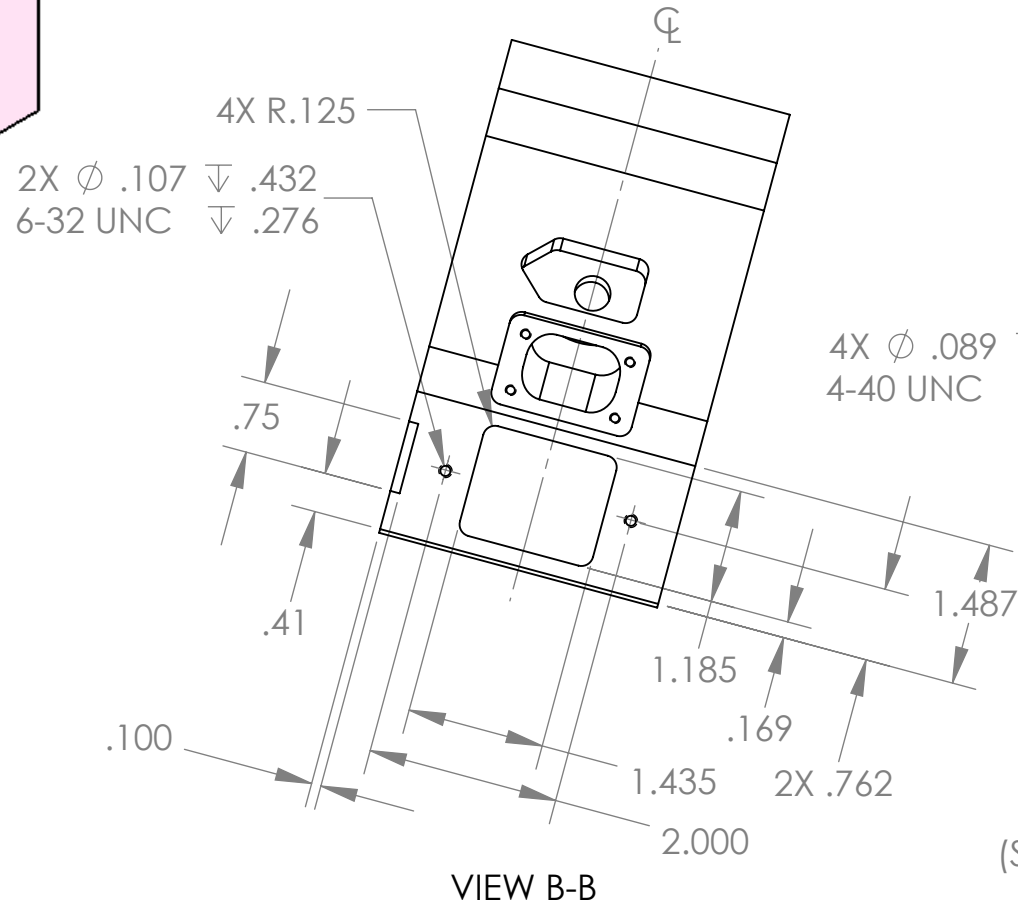
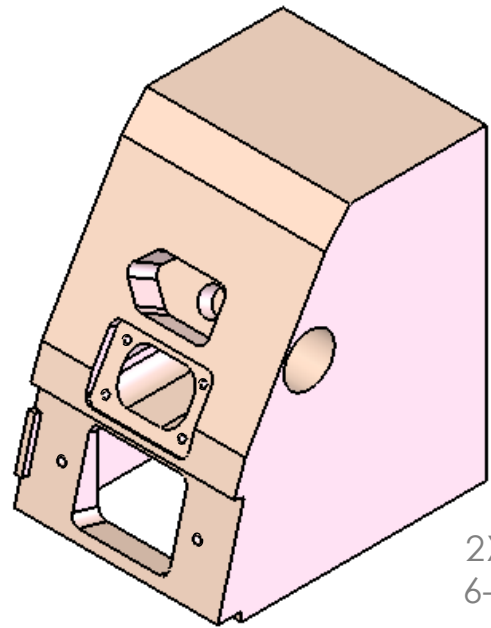
TRIPLESPEC
 Cornell University
 Center for Radiophysics and Space Research - Ithaca, NY 14853

NAME:	INIT.	DATE:	TITLE:
DRAWN:	SCP	05/08/07	SLIT BLOCK, Palomar
CHECKED:	CH	05/15/07	
APPROVED:			
FABRICATED:			

FILE: TRDOP17C SLIT BLOCK, PALOMAR

SIZE: B DRAWING # TRDOP17C REV 0

SCALE: 1:2 DATE: 5/15/2007 SHEET 1 OF 2



UNLESS OTHERWISE SPECIFIED DIMENSIONS
 ARE IN INCHES, REMOVE BURRS AND
 BREAK SHARP EDGES 0.005-0.010
 TOLERANCES: .XX \pm .010 .XXX \pm .005
 ANGLES \pm 0.5° UNLESS NOTED,
 ALL SURFACES 64 UNLESS NOTED

MATERIAL: 6061-T6 ALUM
 QTY: 1



NAME:
 DRAWN: SCP
 CHECKED: CH
 APPROVED:
 FABRICATED:

TRIPLESPEC

Cornell University
 Center for Radiophysics and Space Research - Ithaca, NY 14853

DATE: 05/08/07
 DATE: 05/15/07
 TITLE: SLIT BLOCK, Palomar

SIZE: B DRAWING # TRDOP17C REV 0

FILE: TRDOP17C SLIT BLOCK, PALOMAR

SCALE: 1:2 DATE: 5/15/2007 SHEET 2 OF 2