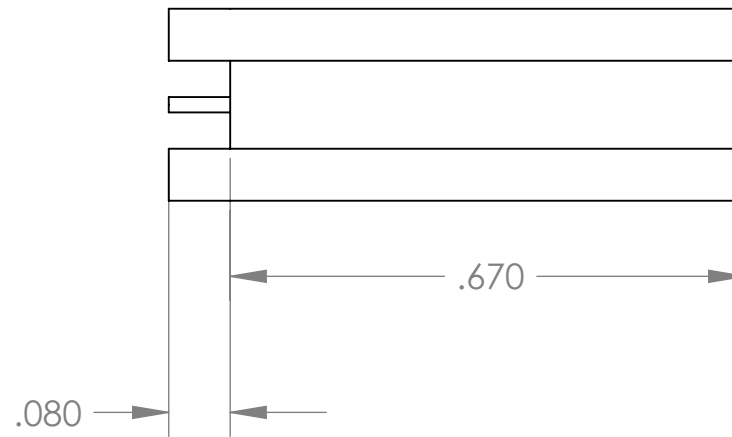
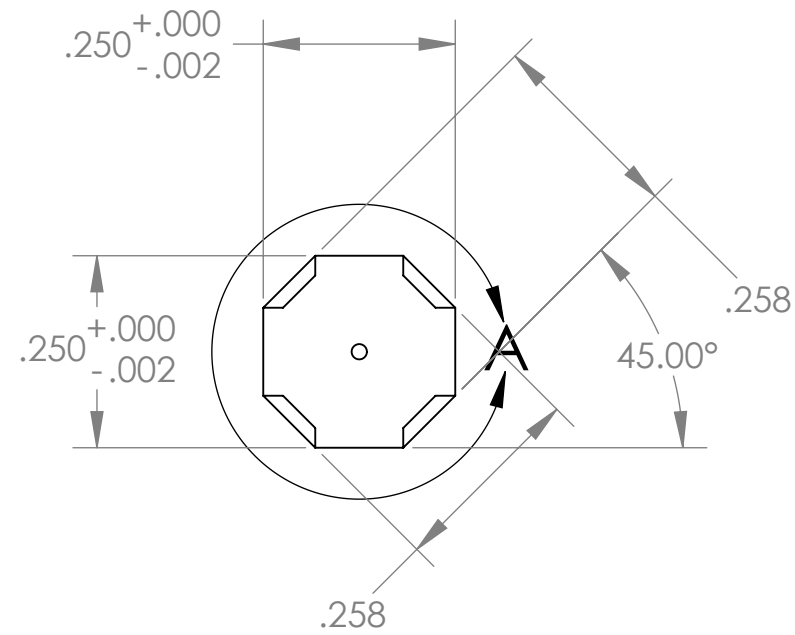
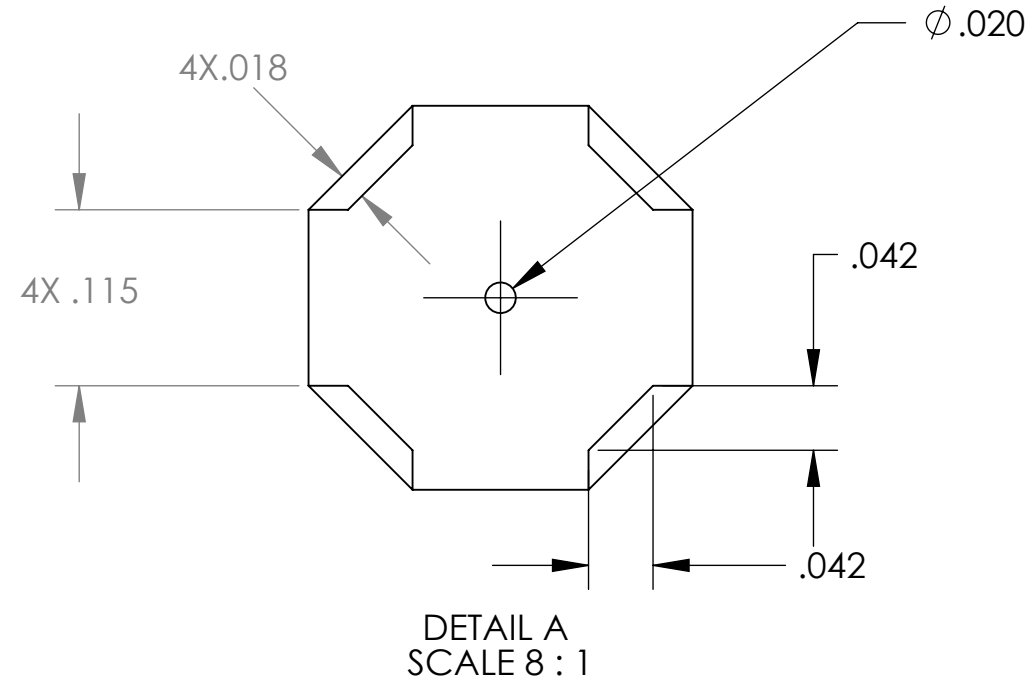
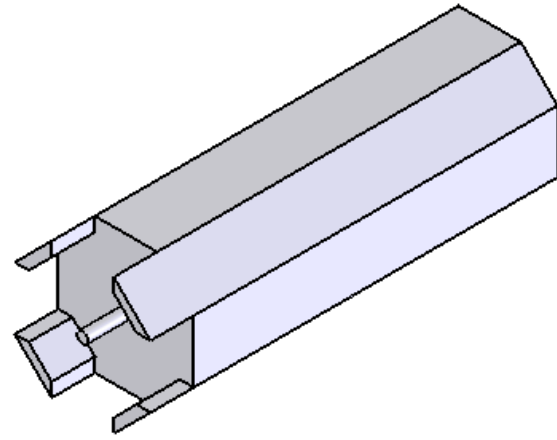


REVISIONS				
ZONE	REV.	DESCRIPTION	DATE	APPROVED
	0	INITIAL RELEASE.	05/XX/07	CH



UNLESS OTHERWISE SPECIFIED DIMENSIONS ARE IN INCHES, REMOVE BURS AND BREAK SHARP EDGES 0.005-0.010  
TOLERANCES: .XX±.010 .XXX±.005  
ANGLES ±0.5° UNLESS NOTED, ALL SURFACES 64 UNLESS NOTED

MATERIAL: 1020 Low Carbon Steel  
QTY: 6



NAME:	INIT.	DATE:
DRAWN:	SCP	05/22/07
CHECKED:	CH	05/23/07
APPROVED:		
FABRICATED:		

FILE: TRDOP38 Silicon Slit Shaft

TRIPLESPEC

Cornell University  
Center for Radiophysics and Space Research - Ithaca, NY 14853

TITLE: SLIT SHAFT

SIZE: B DRAWING # TRDOP38

REV 0

SCALE: 4:1 DATE: 5/23/2007 SHEET 1 OF 1