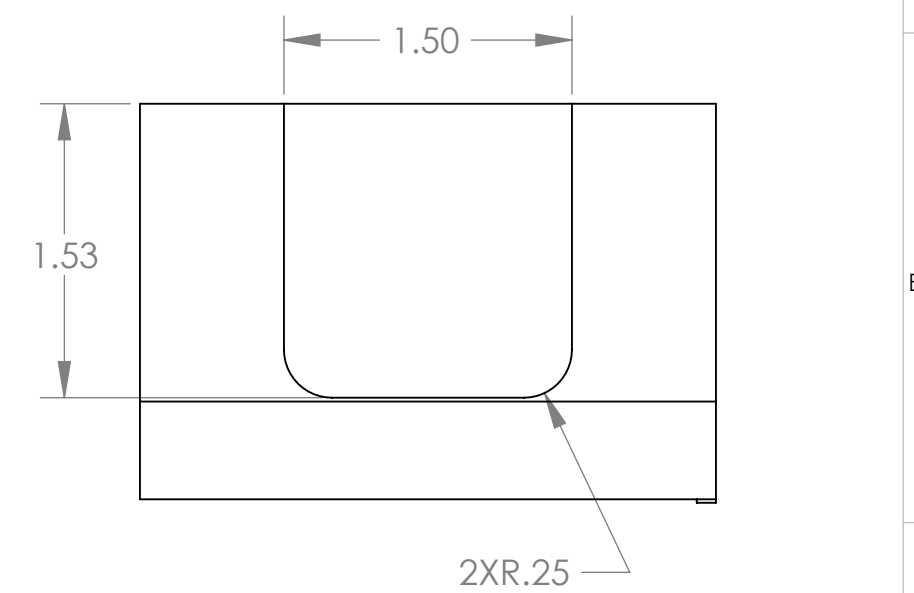
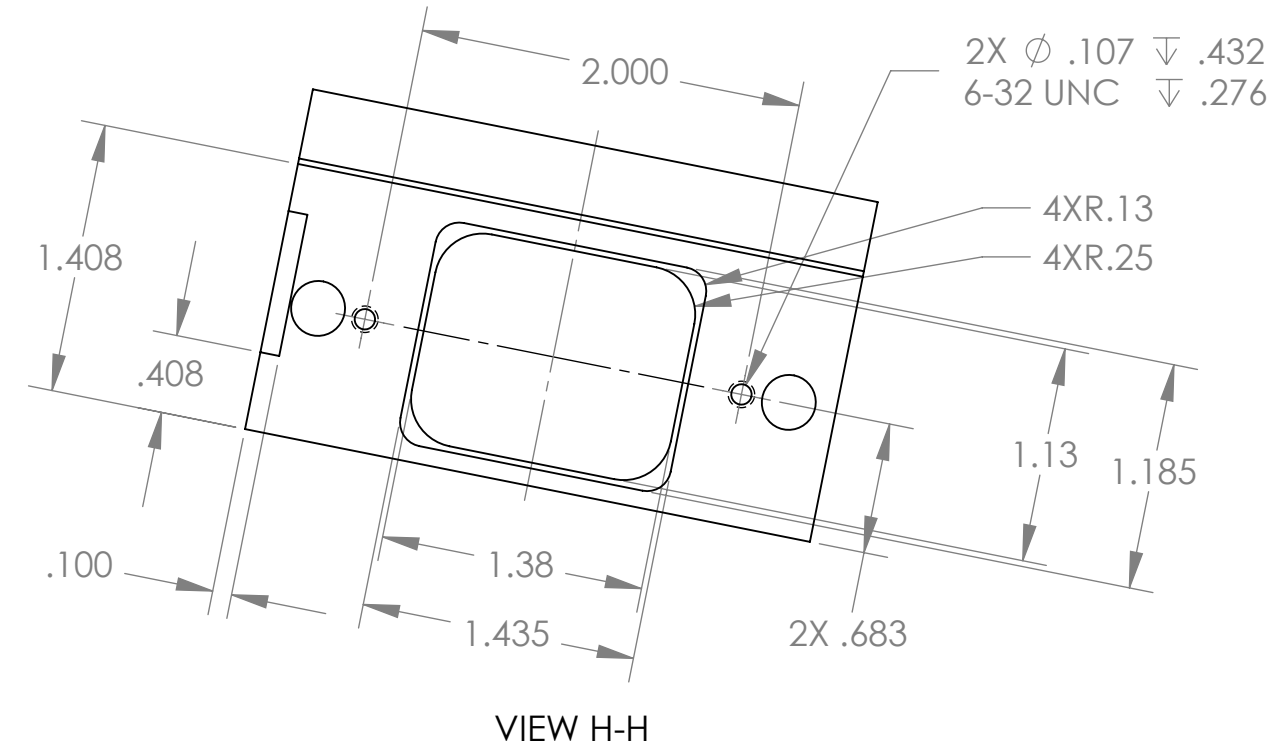
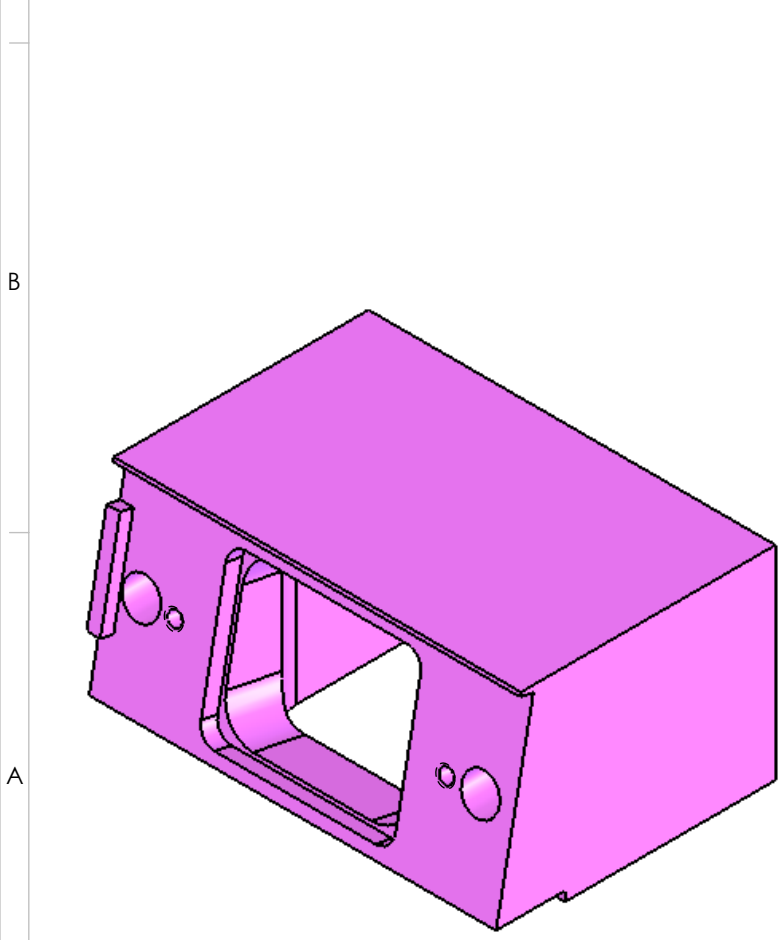
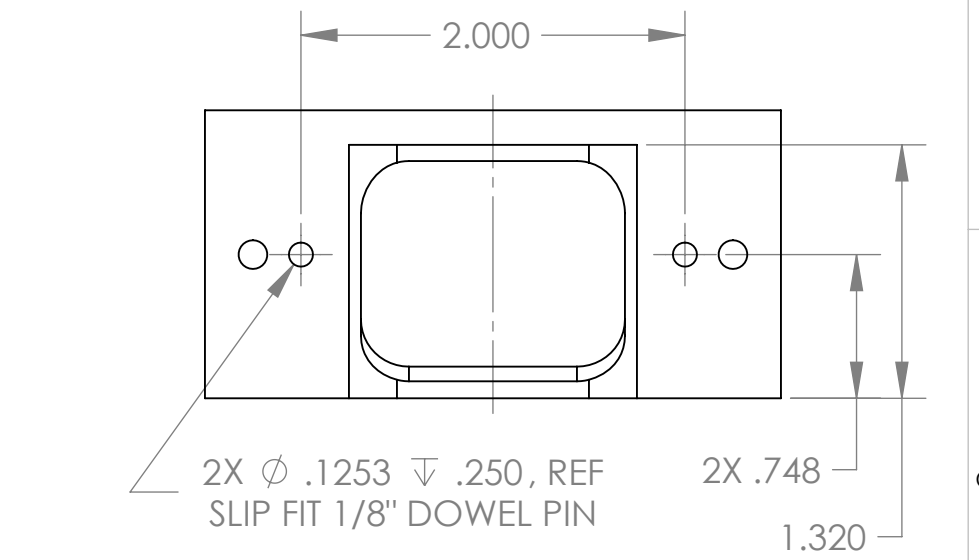
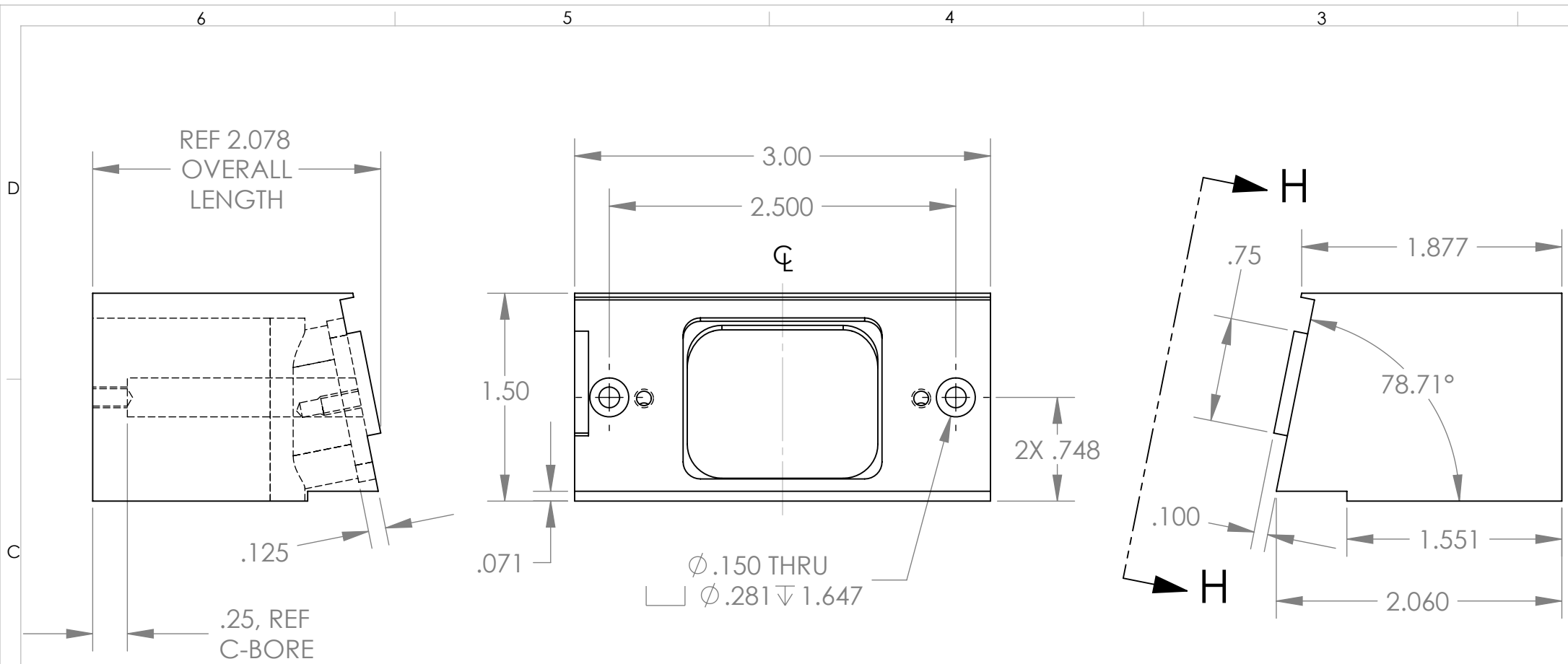


REVISIONS				
ZONE	REV.	DESCRIPTION	DATE	APPROVED
	0	INITIAL RELEASE.	04/02/07	JCW
	1	INCREASED OVERALL LENGTH, REDUCED OVERALL HEIGHT, ADDED PIN HOLES, INTERNAL CUTS.	05/10/07	SCP



UNLESS OTHERWISE SPECIFIED DIMENSIONS ARE IN INCHES, REMOVE BURS AND BREAK SHARP EDGES 0.005-0.010

TOLERANCES: .XX±.010 .XXX±.005
 ANGLES ±0.5° UNLESS NOTED,
 ALL SURFACES 64 UNLESS NOTED

MATERIAL: **6061-T6 ALUM**
QTY: 1

NAME:	INIT.	DATE:	TITLE:
DRAWN: CH	CH	05/10/07	APO LS STAND
CHECKED: SCP	SCP	05/14/07	SIZE: B
APPROVED:			DRAWING # TRDOP84
FABRICATED:			REV 1

FILE: TRDOP84 APO LS Stand

SCALE: 1:1 DATE: 5/14/2007 SHEET 1 OF 1

6 5 4 3 2 1

D

C

B

A

6 5 4 3 2 1

6 5 4 3 2 1