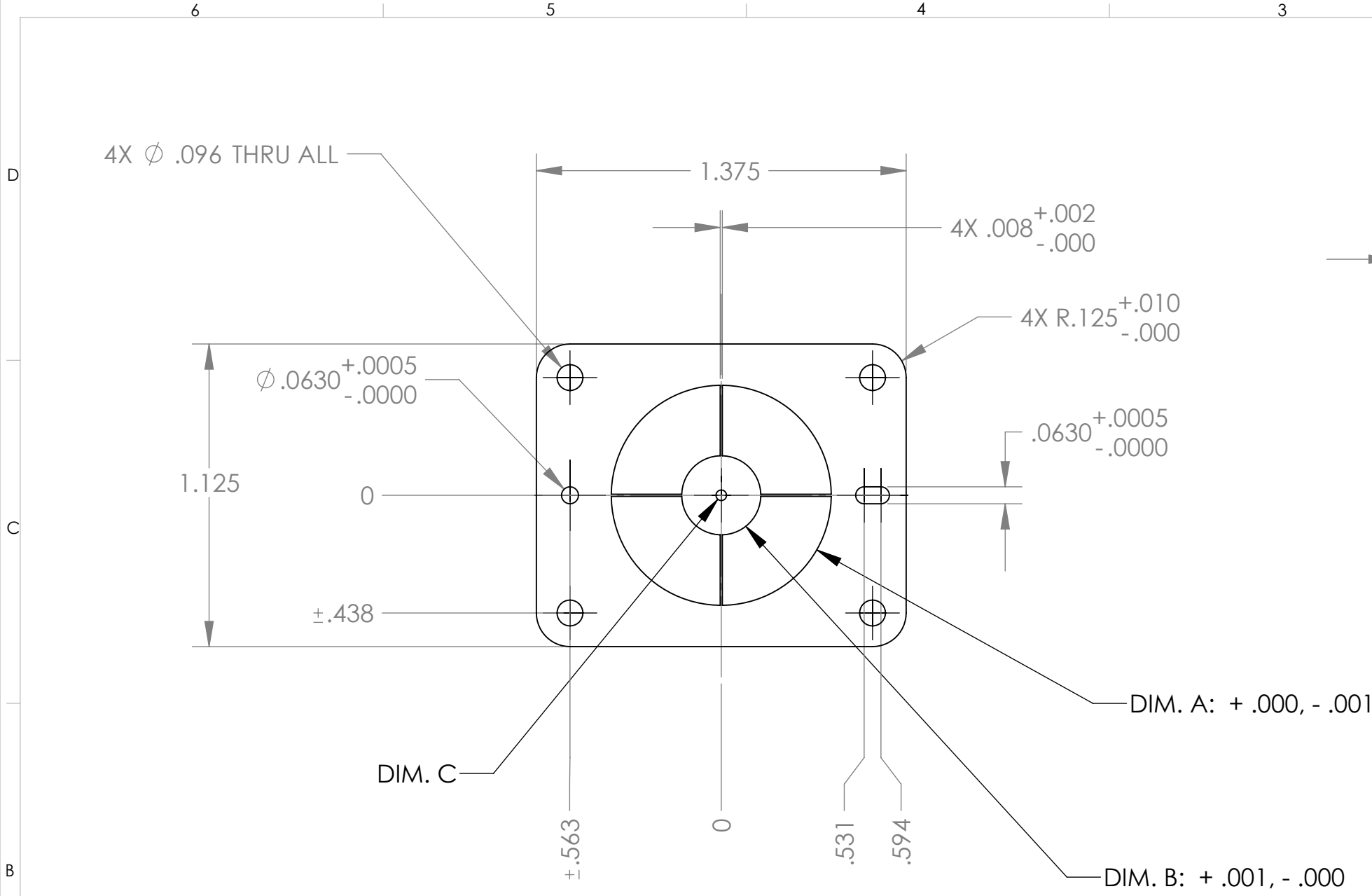
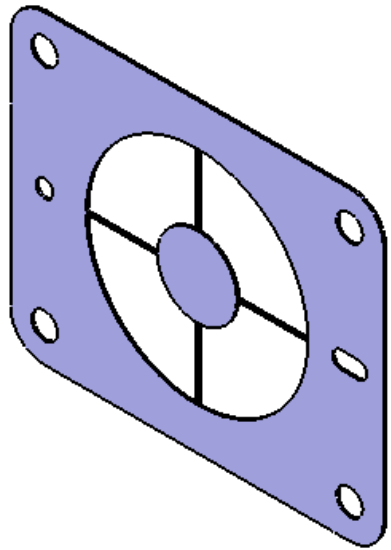


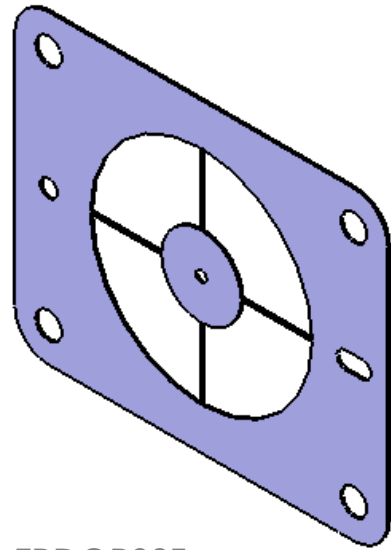
REVISIONS				
REV.	ZONE	DESCRIPTION	DATE	APPROVED
0		INITIAL RELEASE.	01/24/07	CH
1		ADDED DESIGN TABLE. ADDED TOLERANCE TO SHEET THICKNESS, SPIDER LEGS, AND DIM A AND B.	04/02/07	JCW
2		ADDED F, G, H, J & K VERSIONS TO TABLE. CHANGED MATERIAL THICKNESS FROM .010 TO .008	04/24/07	SCP
3		REDUCED OVERALL SIZE FROM 1.500 X 1.250 TO 1.375 X 1.125.	08/07/07	SCP



.008±.001



TRDOP92A



TRDOP92F

DESIGN TABLE				
PART NUMBER	DIM. A	DIM. B	DIM. C	DESCRIPTION
TRDOP92A	.818	.294	NOT USED	PALOMAR: NOMINAL
TRDOP92B	.777	.309	NOT USED	PALOMAR: STOP 95%, OBSC 105%
TRDOP92C	.777	.233	NOT USED	KECK: NOMINAL
TRDOP92D	.830	.220	NOT USED	APO: NOMINAL
TRDOP92E	.788	.231	NOT USED	APO: STOP 95%, OBSC 105%
TRDOP92F	.818	.294	.039	PALOMAR: NOMINAL
TRDOP92G	.777	.309	.039	PALOMAR: STOP 95%, OBSC 105%
TRDOP92H	.777	.233	.039	KECK: NOMINAL
TRDOP92J	.830	.220	.039	APO: NOMINAL
TRDOP92K	.788	.231	.039	APO: STOP 95%, OBSC 105%

UNLESS OTHERWISE SPECIFIED DIMENSIONS ARE IN INCHES, REMOVE BURS AND BREAK SHARP EDGES 0.005-0.010
 TOLERANCES: .XX±.010 .XXX±.005 ANGLES ±0.5° UNLESS NOTED, ALL SURFACES 64 UNLESS NOTED
 MATERIAL: 300 SERIES STAINLESS STEEL



TRIPLESPEC Cornell University
 Center for Radiophysics and Space Research - Ithaca, NY 14853

NAME: _____ INIT: SCP DATE: 08/07/07
 DRAWN: _____ CHECKED: SCP
 APPROVED: _____ FABRICATED: _____

TITLE: LYOT STOP
 SIZE: B DRAWING #: TRDOP92A-K REV 3
 SCALE: 2:1 DATE: 8/7/2007 SHEET 1 OF 1

FILE: TRDOP92 Lyot Stop