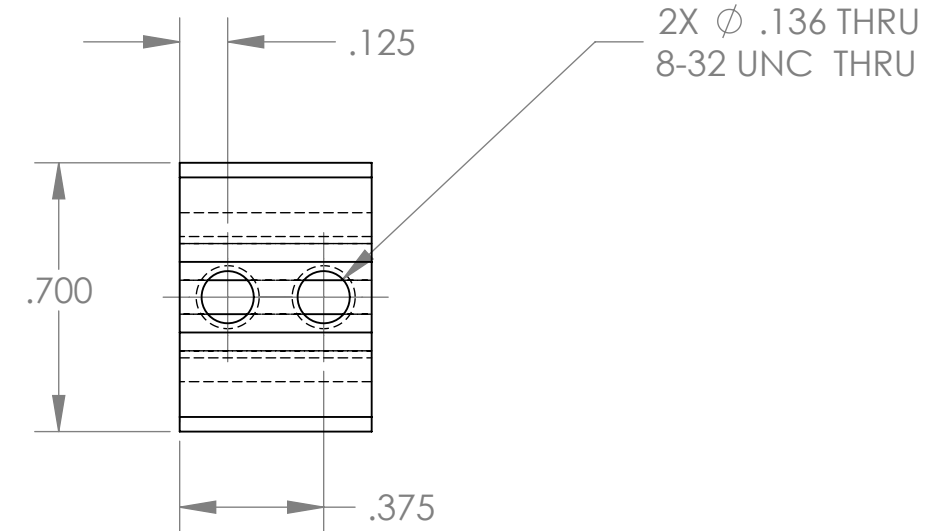
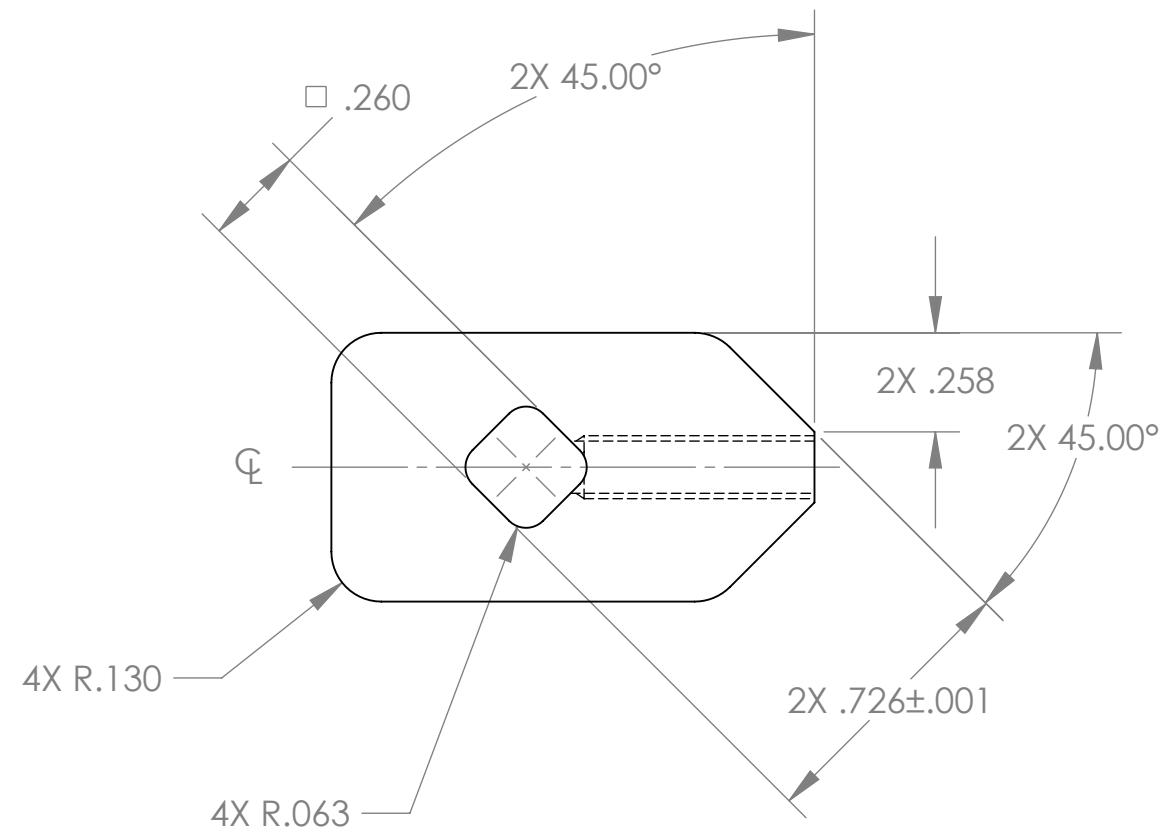
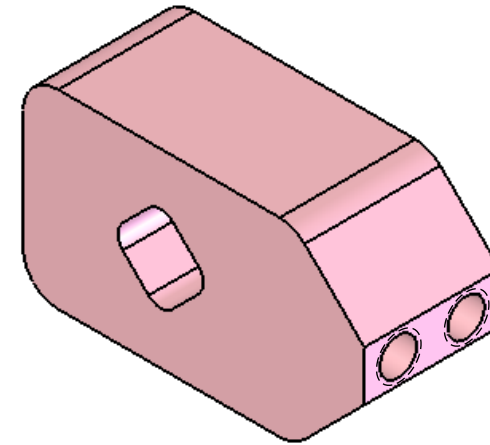
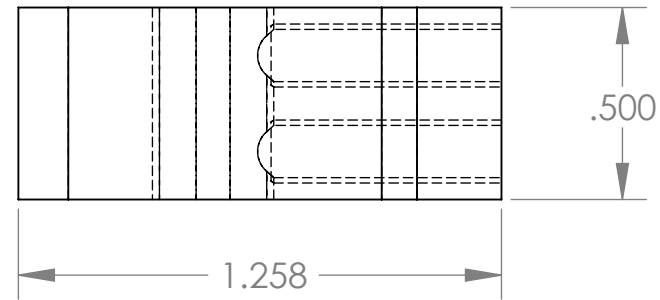


| REVISIONS | | | | |
|-----------|------|------------------|----------|----------|
| ZONE | REV. | DESCRIPTION | DATE | APPROVED |
| | 0 | INITIAL RELEASE. | 05/31/07 | JCW |



UNLESS OTHERWISE SPECIFIED DIMENSIONS ARE IN INCHES, REMOVE BURS AND BREAK SHARP EDGES 0.005-0.010

TOLERANCES: .XX ± .010 .XXX ± .005
 ANGLES ± 0.5° UNLESS NOTED,
 ALL SURFACES 64 UNLESS NOTED

MATERIAL: 6061-T6 ALUM
 QTY: 3

| | | |
|--|-------|----------|
| NAME: | INIT. | DATE: |
| DRAWN: | SCP | 05/29/07 |
| CHECKED: | JCW | 05/31/07 |
| APPROVED: | | |
| FABRICATED: | | |
| FILE: TRDOP94 Slit Shaft Holder, Default | | |

TRIPLESPEC Cornell University
 Center for Radiophysics and Space Research - Ithaca, NY 14853

TITLE: SLIT SHAFT HOLDER, Default

SIZE: B DRAWING # TRDOP94 REV 0

SCALE: 2:1 DATE: 5/31/2007 SHEET 1 OF 1