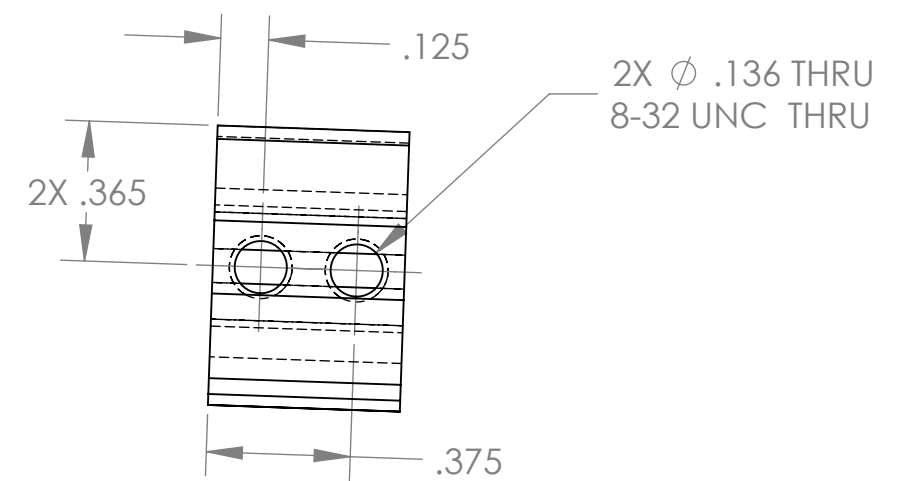
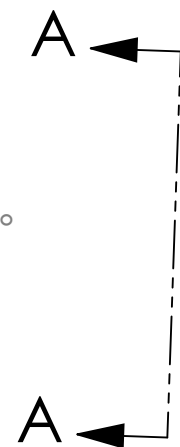
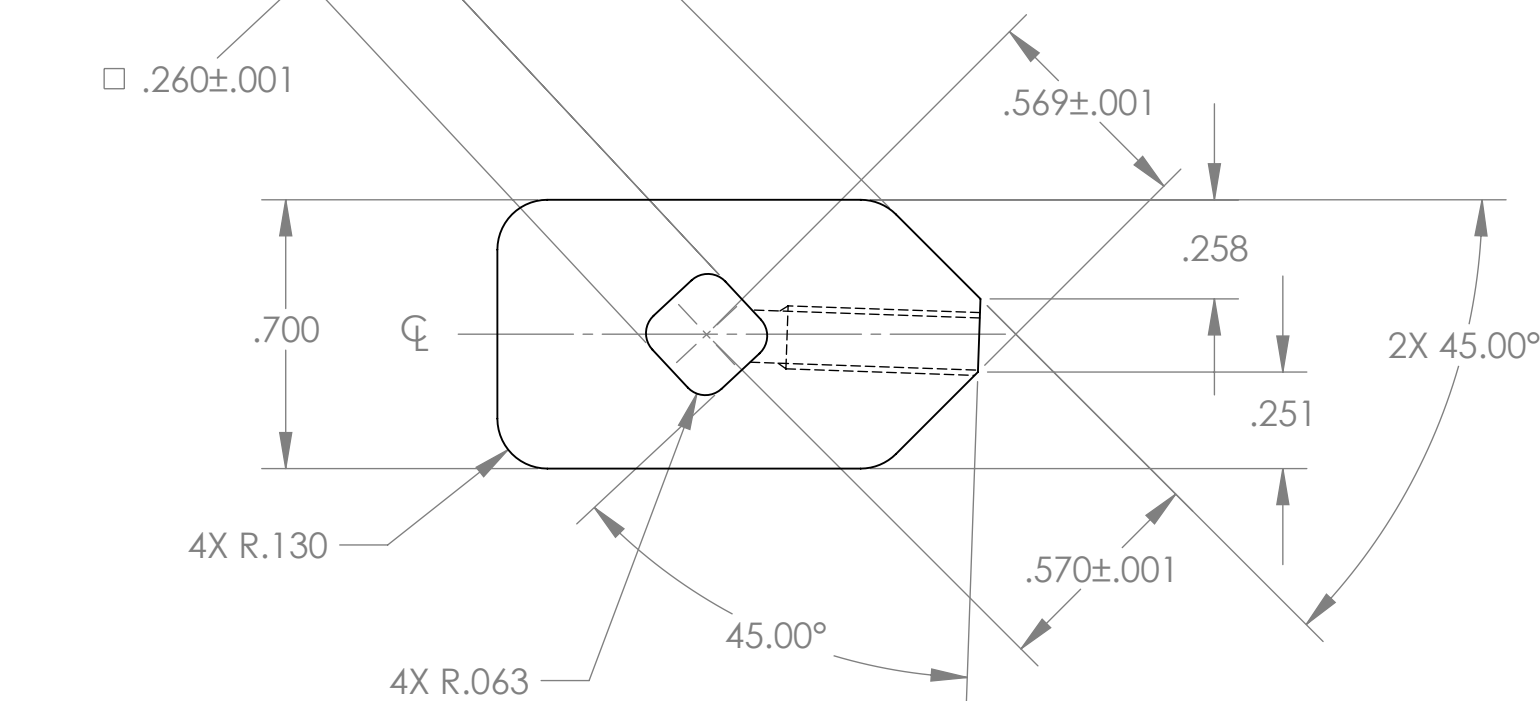
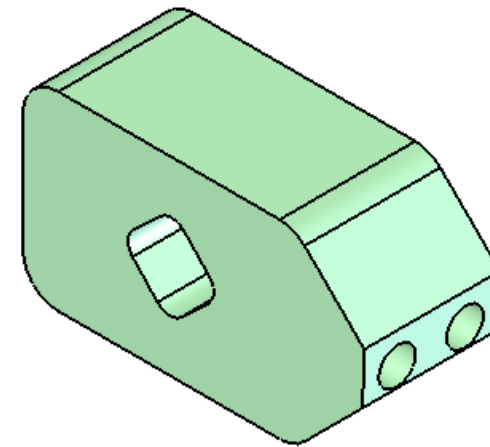
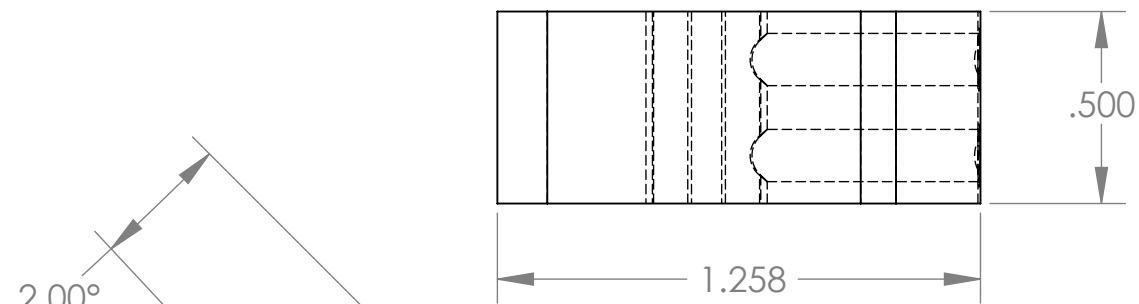


REVISIONS				
ZONE	REV.	DESCRIPTION	DATE	APPROVED
	0	INITIAL RELEASE.	05/31/07	JCW



VIEW A-A

UNLESS OTHERWISE SPECIFIED DIMENSIONS ARE IN INCHES, REMOVE BURS AND BREAK SHARP EDGES 0.005-0.010
 TOLERANCES: .XX±.010 .XXX±.005
 ANGLES ±0.5° UNLESS NOTED, ALL SURFACES 64 UNLESS NOTED
 MATERIAL: 6061-T6 ALUM
 QTY: 3

NAME: _____ INIT: _____ DATE: _____
 DRAWN: _____ SCP 05/29/07
 CHECKED: _____ JCW 05/31/07
 APPROVED: _____
 FABRICATED: _____
 FILE: TRDOP94A Slit Shaft Holder, 2deg tilt

TRIPLESPEC

Cornell University
 Center for Radiophysics and Space Research - Ithaca, NY 14853

TITLE: SLIT SHAFT HOLDER, 2deg Tilt

SIZE: B DRAWING # TRDOP94A REV 0

SCALE: 2:1 DATE: 5/31/2007 SHEET 1 OF 1