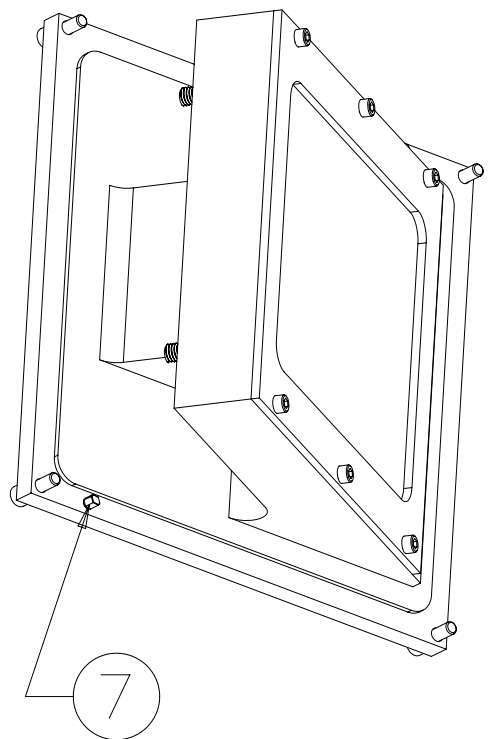
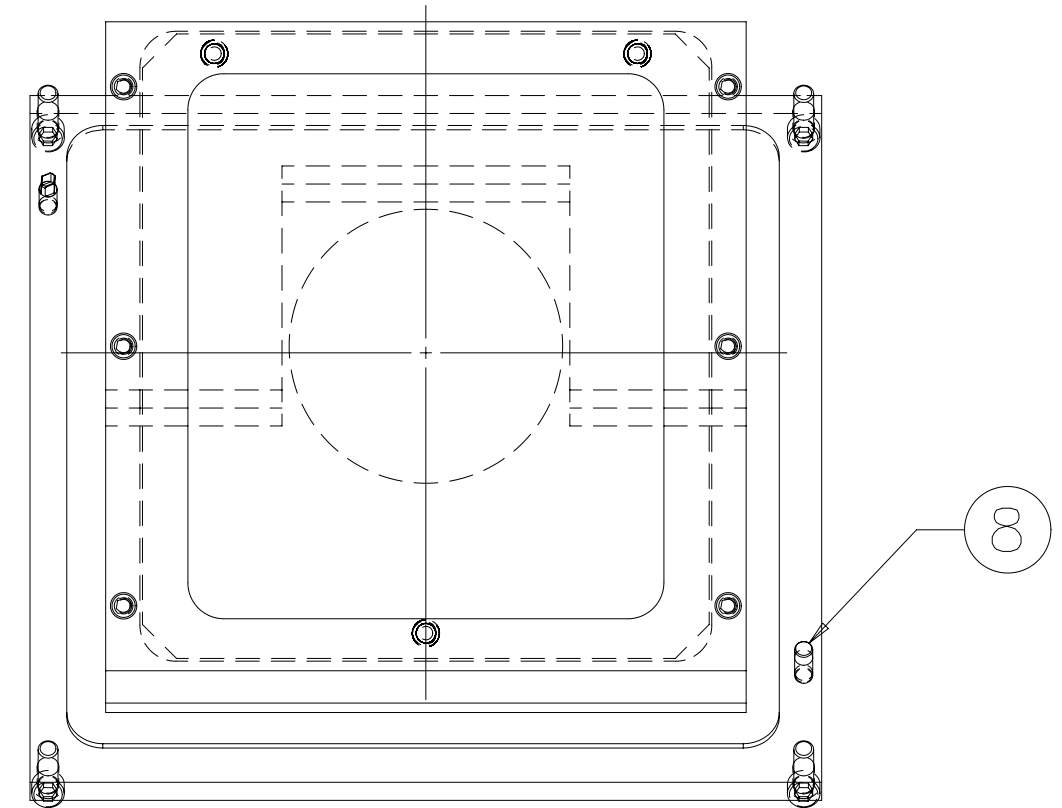
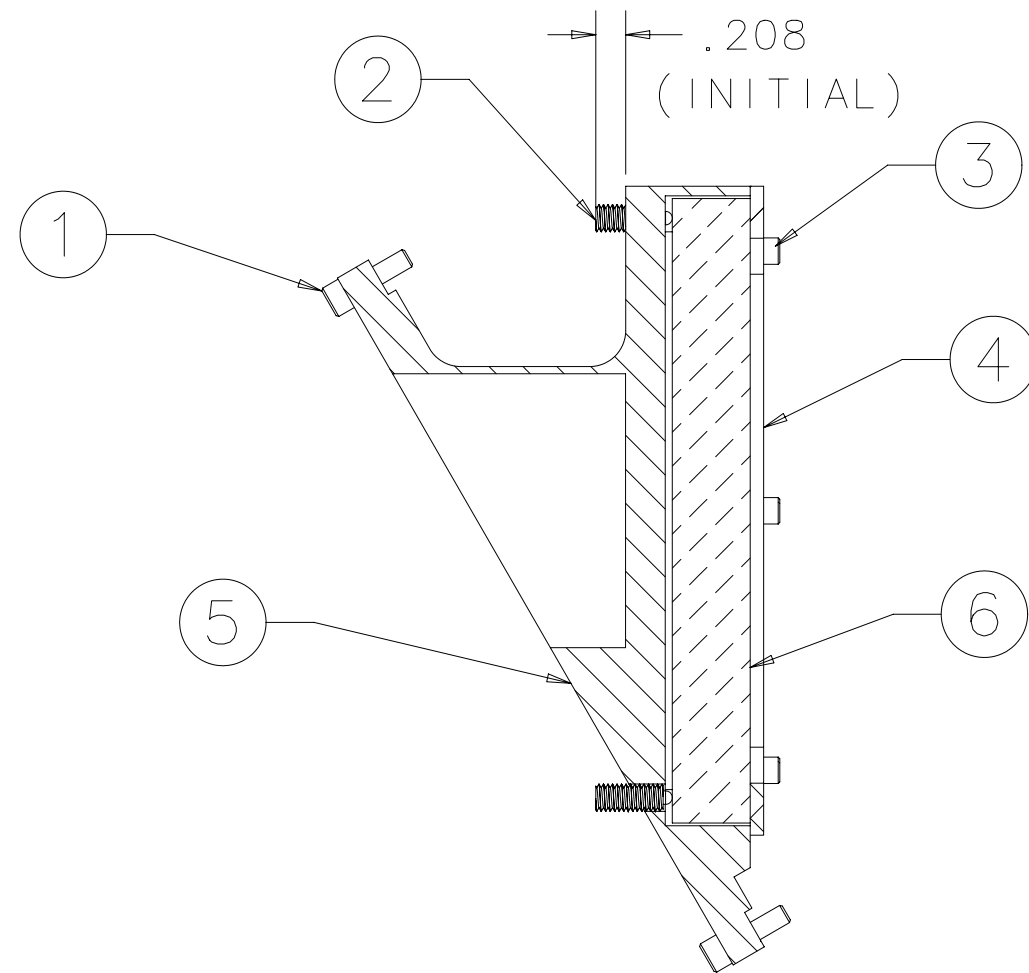


REV.	DESCRIPTION	APPROV.	DATE



8		DOWEL PIN .1251X3/8	1	S. S. 416	0.00
7	650002	DIAMOND PIN .1251X3/8	1	S. S. 416	0.00
6	030024	3RD FOLD MIRROR	1	QUARTZ	0.72
5	052022	3RD FOLD MIRROR HOLDER	1	ALUMINUM 6061-T6	1.48
4	051028	3RD FOLD MIRROR COVER	1	ALUMINUM 6061-T6	0.07
3		SCREW H.S. HEAD #4-40X3/8	6	S. S. 303	0.00
2		STUBBY PLUNGER DELRIN NOSE	3	REID LNK-2SN	
1		SCREW H.S. HEAD #6-32X1/2	4	S. S. 303	0.00
ITEM	PART NO	DESCRIPTION	QTY	MATERIAL	WEIGHT(LB)

NIRES-D85

Infrared Physics
CALIFORNIA INSTITUTE OF TECHNOLOGY
Pasadena, California

UNLESS OTHERWISE SPECIFIED
DIMENSIONS ARE IN INCHES
.005/.010 EDGE BROKEN
THREADS PER MIL-S-7742
MACHINED SURFACE 63 MAX
MACHINED INSIDE CORNER
R.005 MAX
TOLERANCE
.XX: ±.01 X/XX: ±1/64
.XXX: ±.005 ANG:±.5

SIGNATURE		DATE
DWN BY	SEAN LIN	1 13 07
CHK BY		
APPR BY		

TITLE	3RD FOLD MIRROR ASSEMBLY	
DRAWING NUMBER	005010	REV. N/C
DWG SIZE	B	SCALE 3/4 SHEET 1 OF 1

NEXT ASSEMBLY

NOTE :