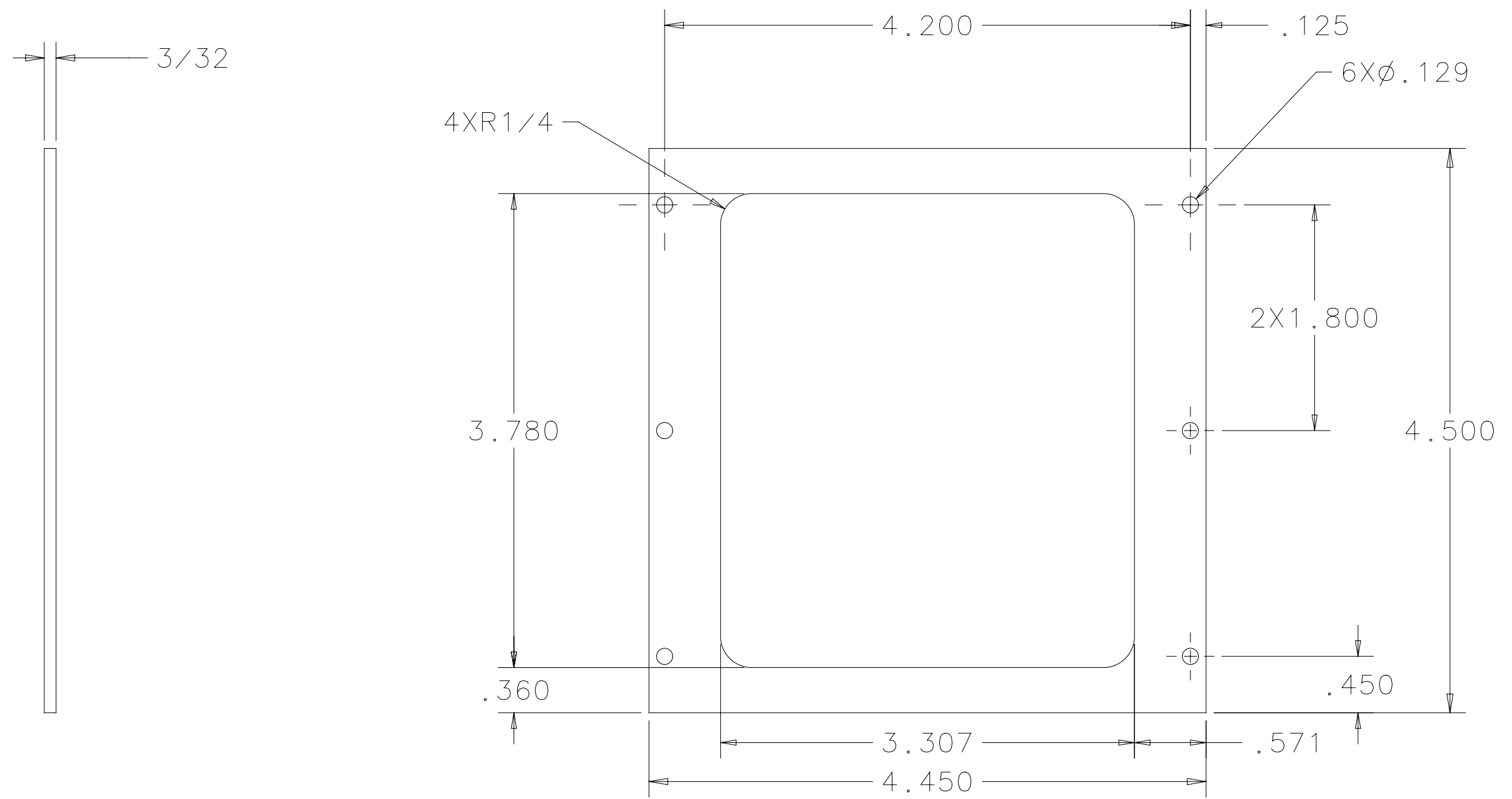


REV.	DESCRIPTION	APPROV.	DATE



1. MATERIAL: ALUMINUM ALLOY 6061-T651.

NOTE:

NEXT ASSEMBLY 005010

<b>NIRES-D85</b>		Infrared Physics CALIFORNIA INSTITUTE OF TECHNOLOGY Pasadena, California				
		SIGNATURE		DATE		
UNLESS OTHERWISE SPECIFIED DIMENSIONS ARE IN INCHES .005/.010 EDGE BROKEN THREADS PER MIL-S-7742 MACHINED SURFACE 63 MAX MACHINED INSIDE CORNER R.005 MAX TOLERANCE .XX: ±.01 X/XX: ±1/64 .XXX: ±.005 ANG: ±.5		DWN BY	SEAN LIN	11 23 06	TITLE	3RD FOLD MIRROR COVER
		CHK BY			DRAWING NUMBER	051028
		APPR BY			DWG SIZE <b>B</b>	SCALE 1/1 SHEET 1 OF 1
						REV. N/C