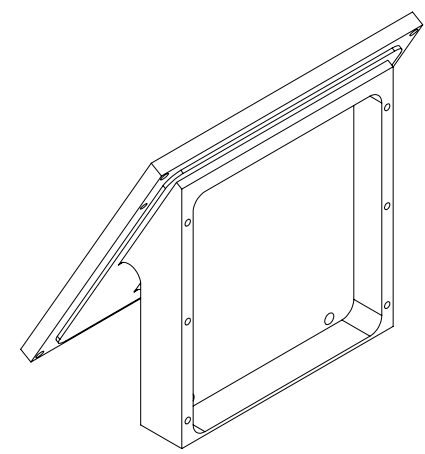
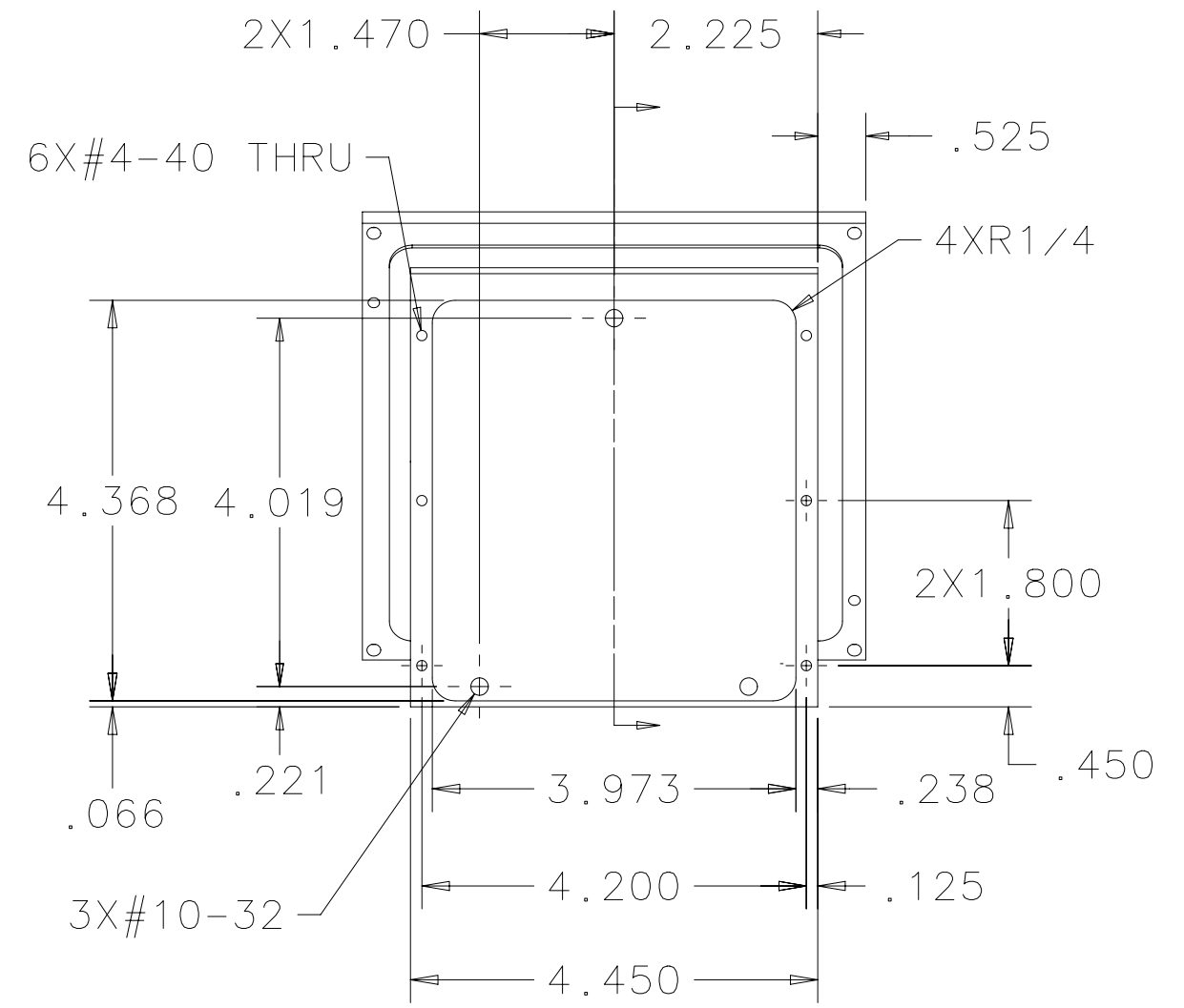
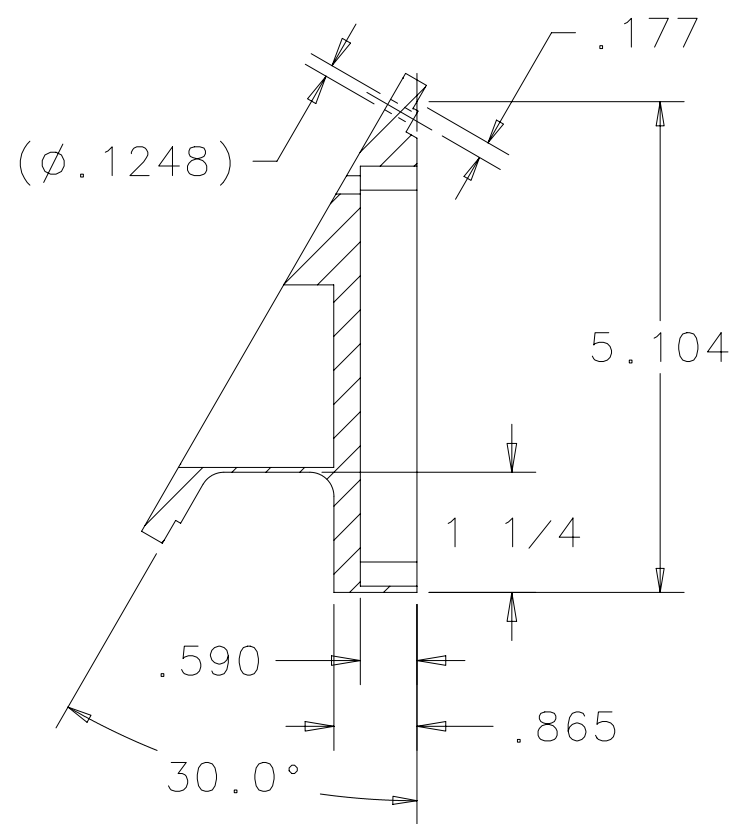
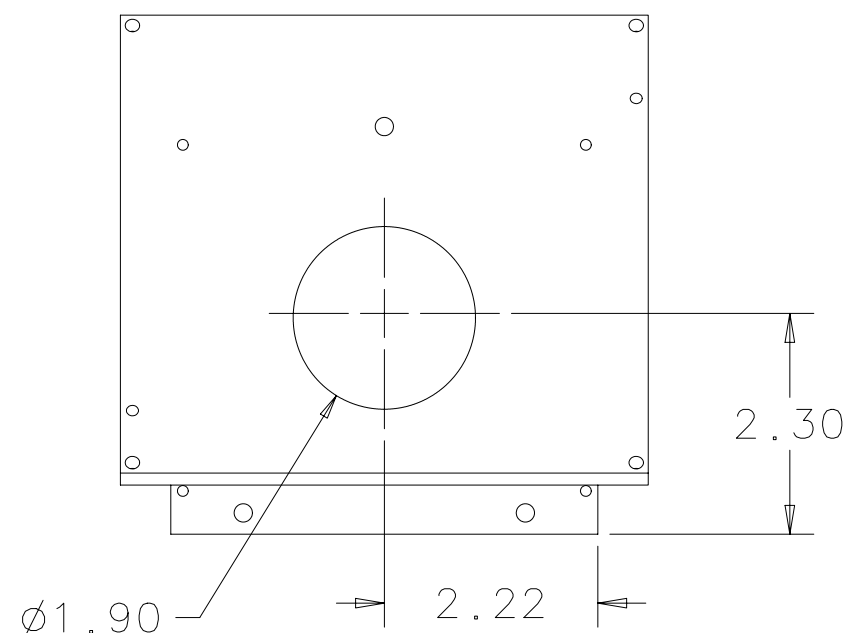


REV.	DESCRIPTION	APPROV.	DATE



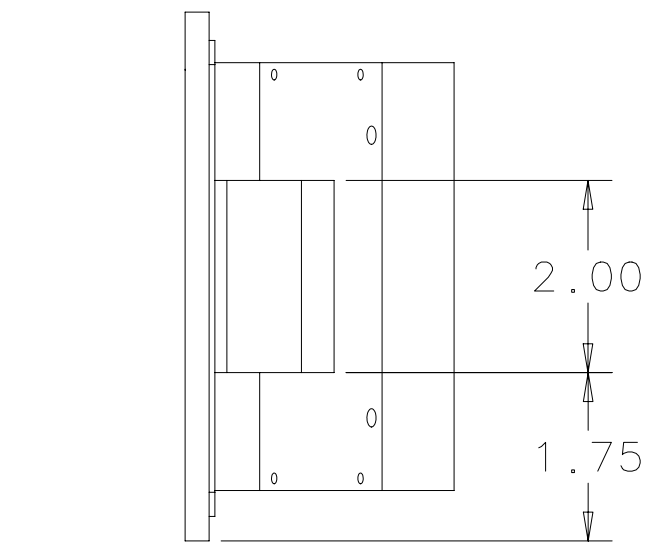
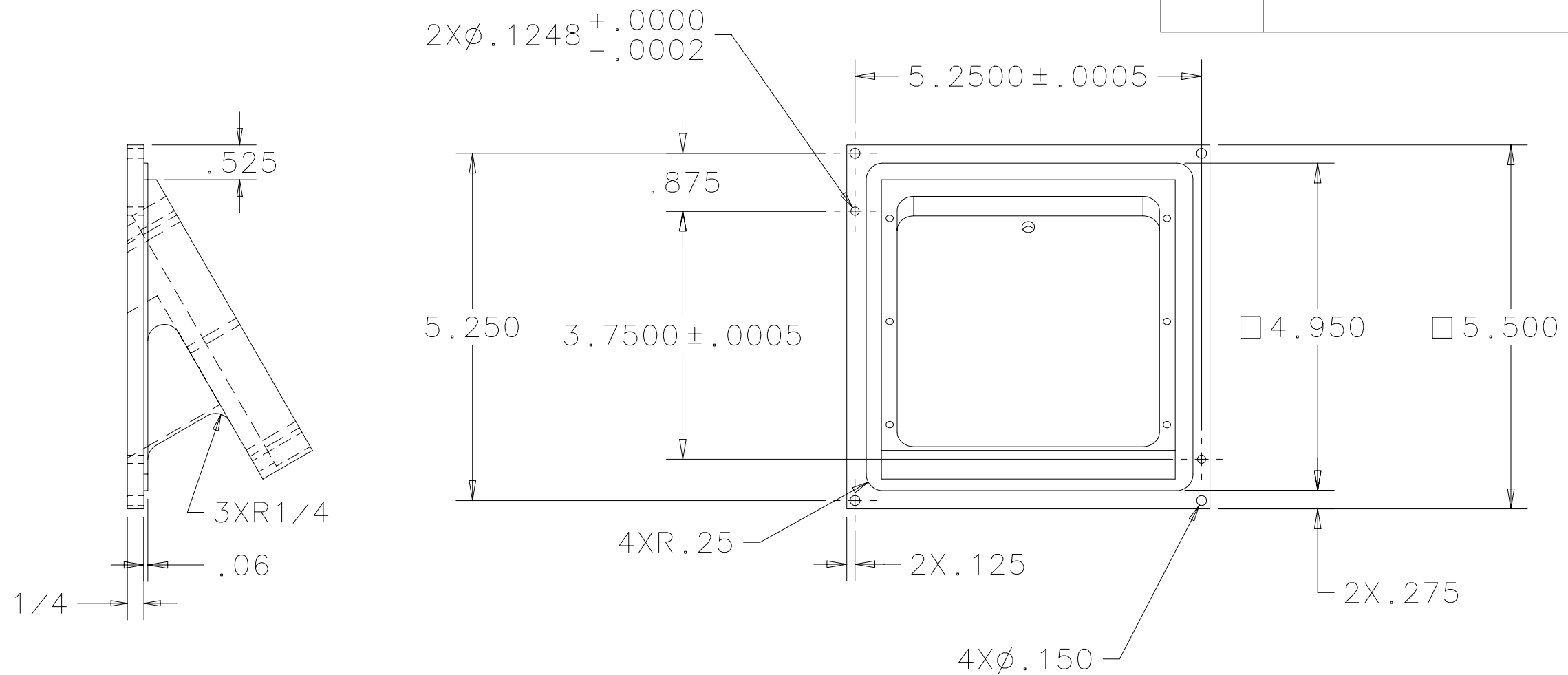
1. MATERIAL: ALUMINUM ALLOY 6061-T651.

NOTE:

NEXT ASSEMBLY 005010

NIRES-D85		Infrared Physics CALIFORNIA INSTITUTE OF TECHNOLOGY Pasadena, California				
		SIGNATURE		DATE		
UNLESS OTHERWISE SPECIFIED DIMENSIONS ARE IN INCHES .005/.010 EDGE BROKEN THREADS PER MIL-S-7742 MACHINED SURFACE 63 MAX MACHINED INSIDE CORNER R.005 MAX TOLERANCE .XX: ±.01 X/X: ±1/64 .XXX: ±.005 ANG: ±.5		DWN BY	SEAN LIN	1 20 07	TITLE	3RD FOLD MIRROR HOLDER
		CHK BY			DRAWING NUMBER	052022
		APPR BY			DWG SIZE B	SCALE 1/2 SHEET 1 OF 2
						REV. N/C

REV.	DESCRIPTION	APPROV.	DATE



NIRES-D85 Infrared Physics
 CALIFORNIA INSTITUTE OF TECHNOLOGY
 Pasadena, California

UNLESS OTHERWISE SPECIFIED DIMENSIONS ARE IN INCHES .005/.010 EDGE BROKEN THREADS PER MIL-S-7742 MACHINED SURFACE 63 MAX MACHINED INSIDE CORNER R.005 MAX TOLERANCE .XX: ±.01 X/X: ±1/64 .XXX: ±.005 ANG: ±.5	SIGNATURE		DATE	TITLE	3RD FOLD MIRROR HOLDER	
	DWN BY	SEAN LIN	1 20 07			
	CHK BY			DRAWING NUMBER	052022	REV. N/C
	APPR BY			DWG SIZE B	SCALE 1/2	SHEET 2 OF 2

NEXT ASSEMBLY 005010

NOTE :