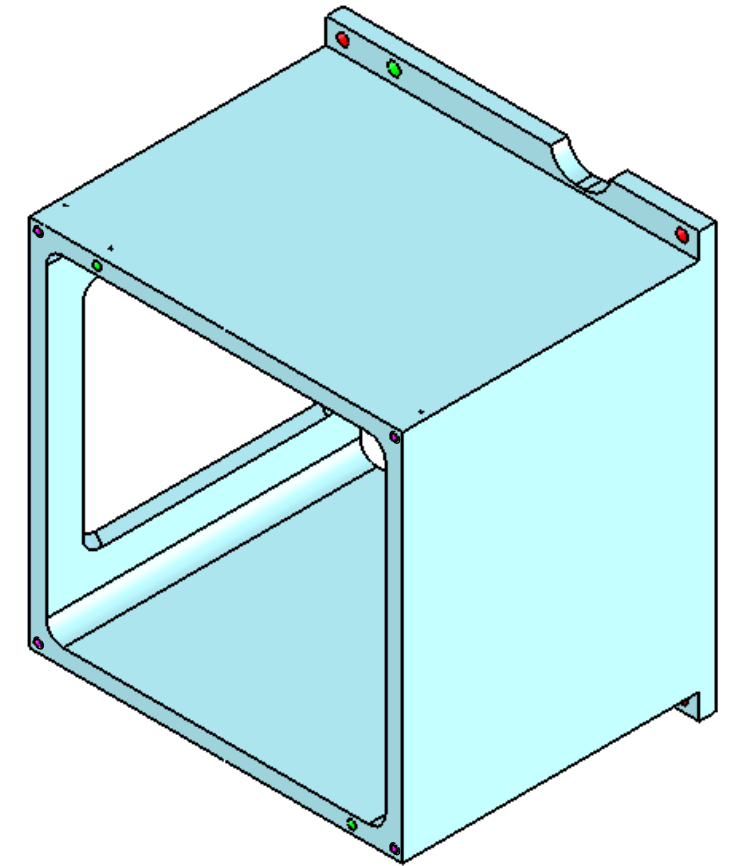
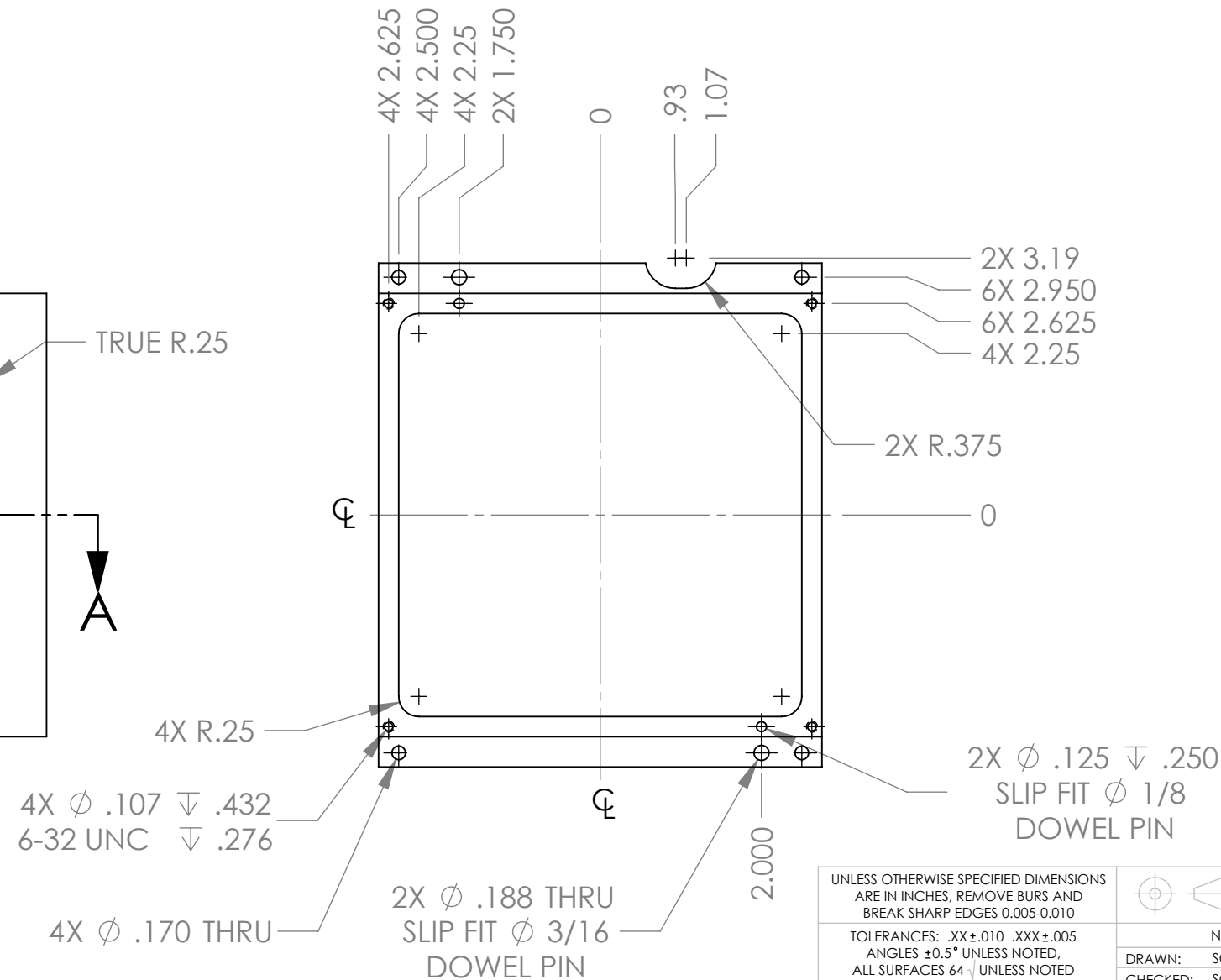
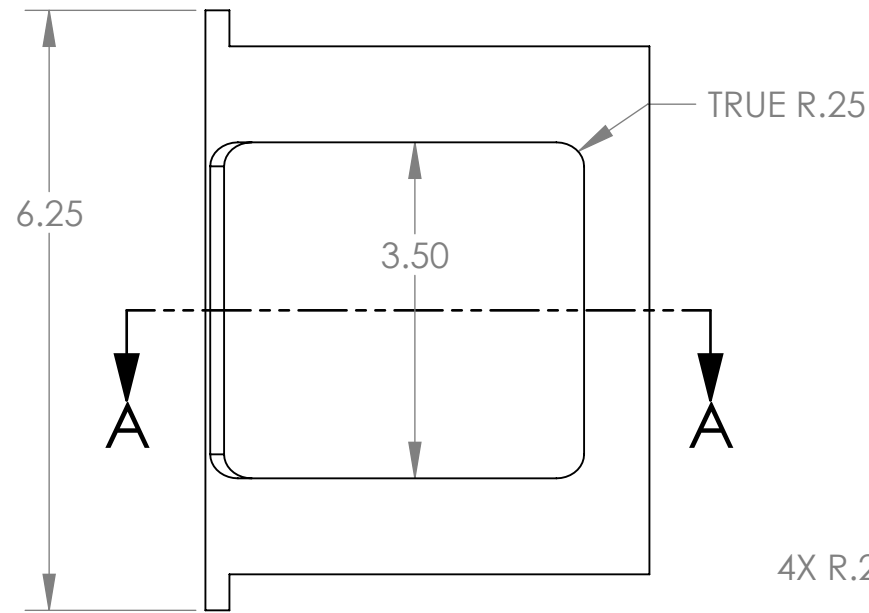
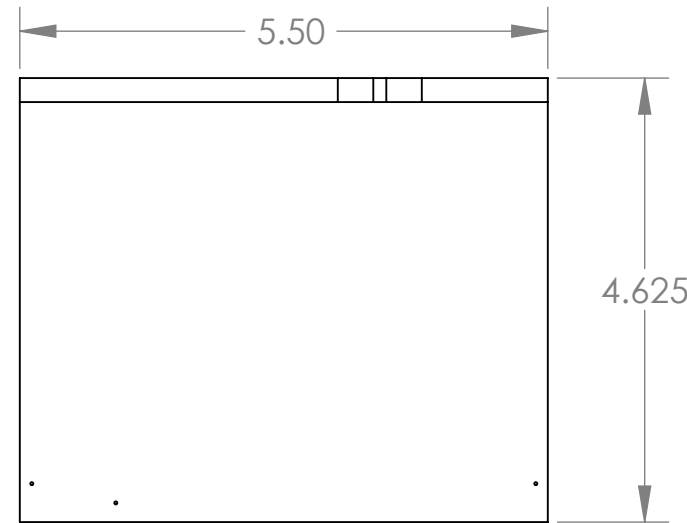
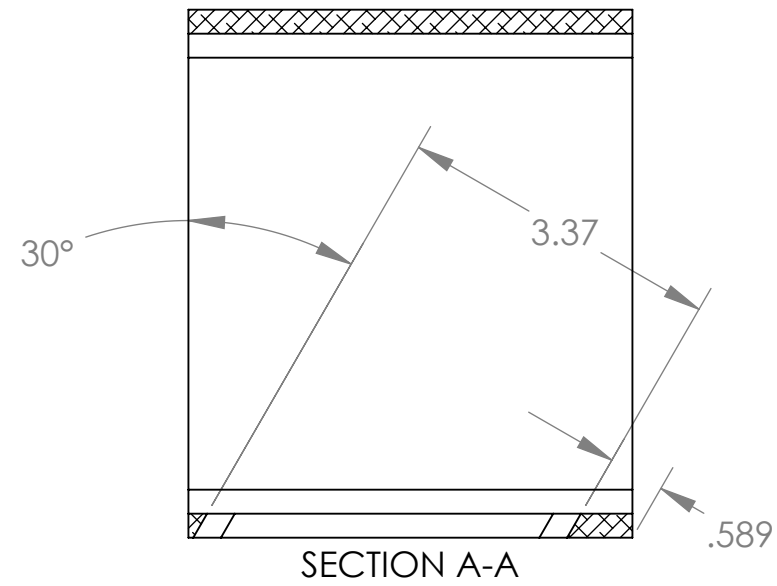


REVISIONS				
ZONE	REV.	DESCRIPTION	DATE	APPROVED
	0	INITIAL RELEASE.	01/08/07	JCW
	1	ADDED 6 VENT HOLES - DETAILED ON SHEET 2.	01/24/07	SCP
A5	2	ADDED MISSING FILLET DIMENSION (4X R .25).	02/06/07	SCP
A3		FIXED DOWEL PIN DIAMETER CALLOUT ON ϕ .125 HOLE.		



UNLESS OTHERWISE SPECIFIED DIMENSIONS ARE IN INCHES, REMOVE BURS AND BREAK SHARP EDGES 0.005-0.010

TOLERANCES: .XX \pm .010 .XXX \pm .005
ANGLES \pm 0.5 $^\circ$ UNLESS NOTED,
ALL SURFACES 64 UNLESS NOTED

MATERIAL: 6061-T6 ALUM
QTY: 3



NAME:	INIT.	DATE:
DRAWN: SCP	SCP	02/06/07
CHECKED: SCP	SCP	02/06/07
APPROVED:		
FABRICATED:		

FILE: TRDSV02-mirror-mount

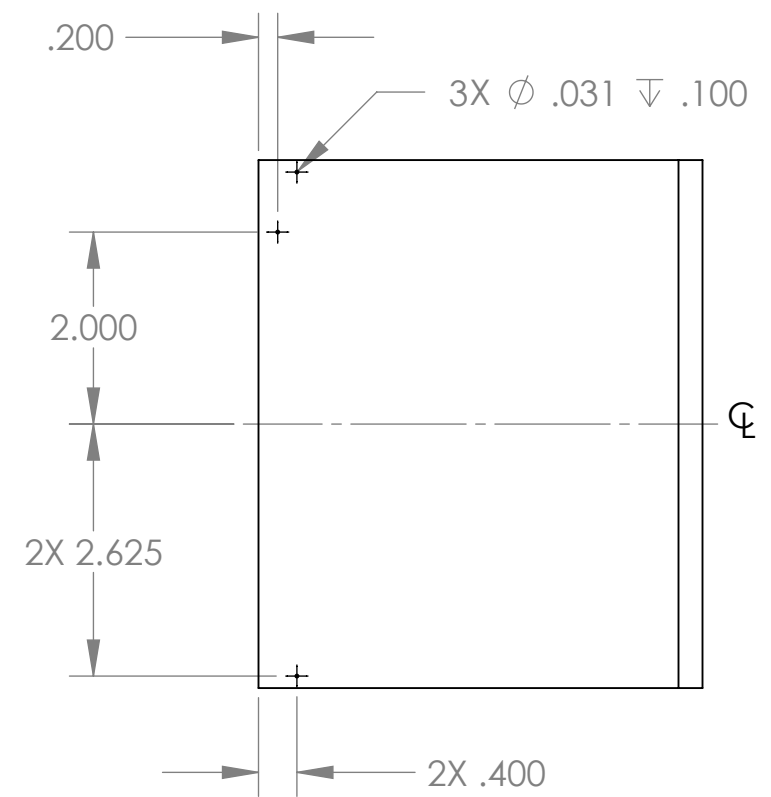
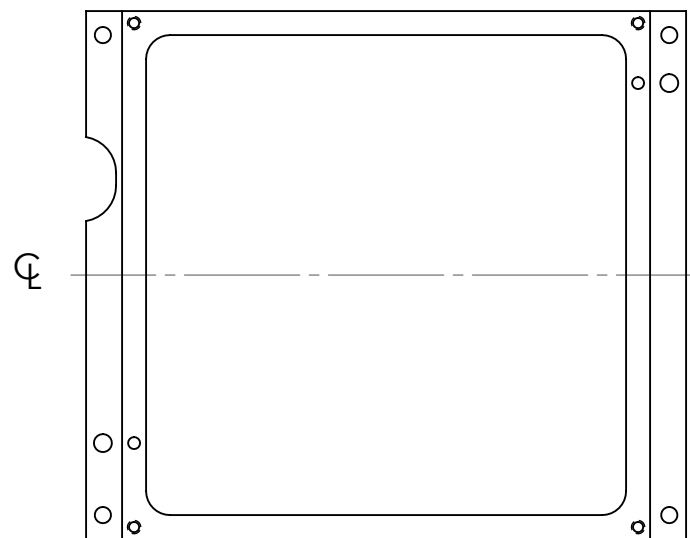
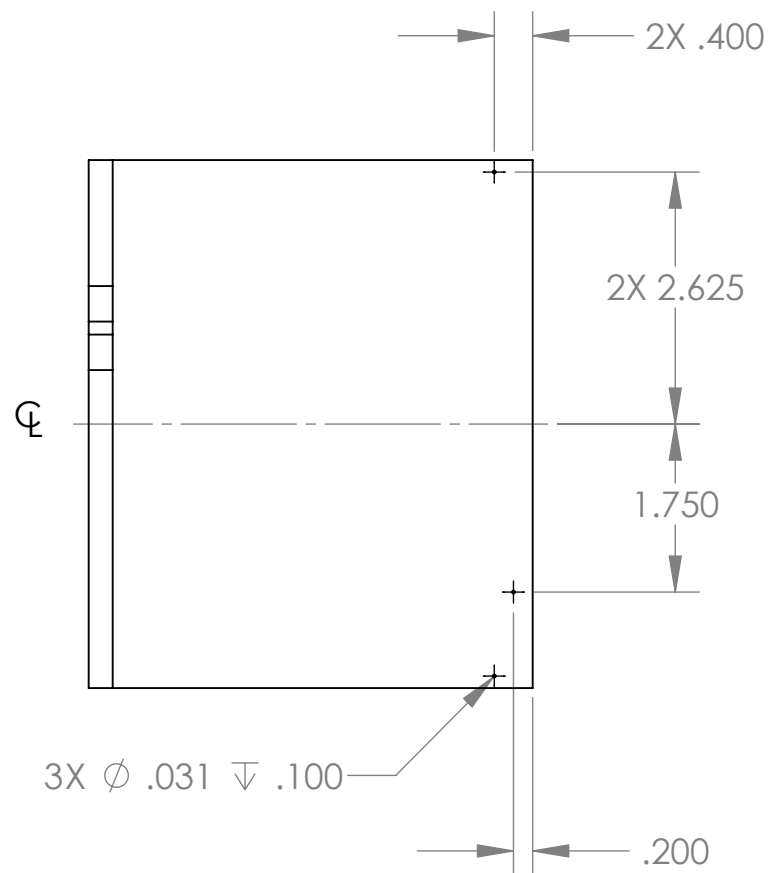
TRIPLESPEC

Cornell University
Center for Radiophysics and Space Research - Ithaca, NY 14853

TITLE: MIRROR MOUNT

SIZE: B DRAWING # TRDSV02 REV 2

SCALE: 1:2 DATE: 2/6/2007 SHEET 1 OF 2



UNLESS OTHERWISE SPECIFIED DIMENSIONS ARE IN INCHES, REMOVE BURRS AND BREAK SHARP EDGES 0.005-0.010

TOLERANCES: .XX±.010 .XXX±.005
 ANGLES ±0.5° UNLESS NOTED,
 ALL SURFACES 64 √ UNLESS NOTED

MATERIAL: 6061-T6 ALUM
 QTY: 3

TRIPLESPEC

NAME:	INIT.	DATE:
DRAWN: SCP	SCP	02/06/07
CHECKED: SCP	SCP	02/06/07
APPROVED:		
FABRICATED:		

FILE: TRDSV02-mirror-mount

Cornell University
 Center for Radiophysics and Space Research - Ithaca, NY 14853

TITLE: MIRROR MOUNT

SIZE: B DRAWING # TRDSV02 REV 2

SCALE: 1:2 DATE: 2/6/2007 SHEET 2 OF 2