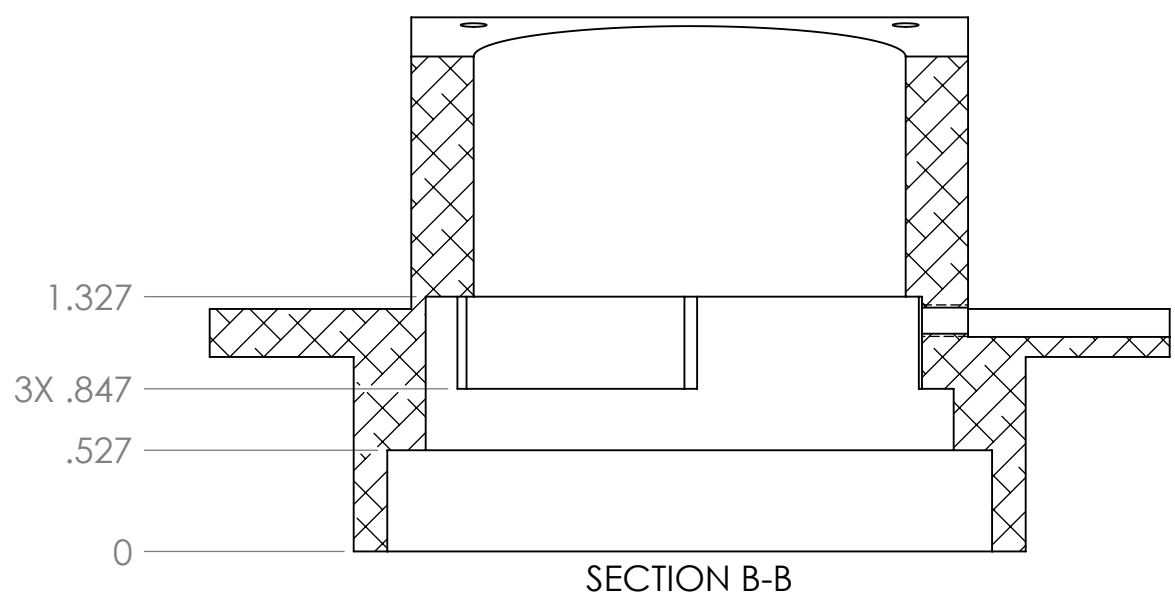
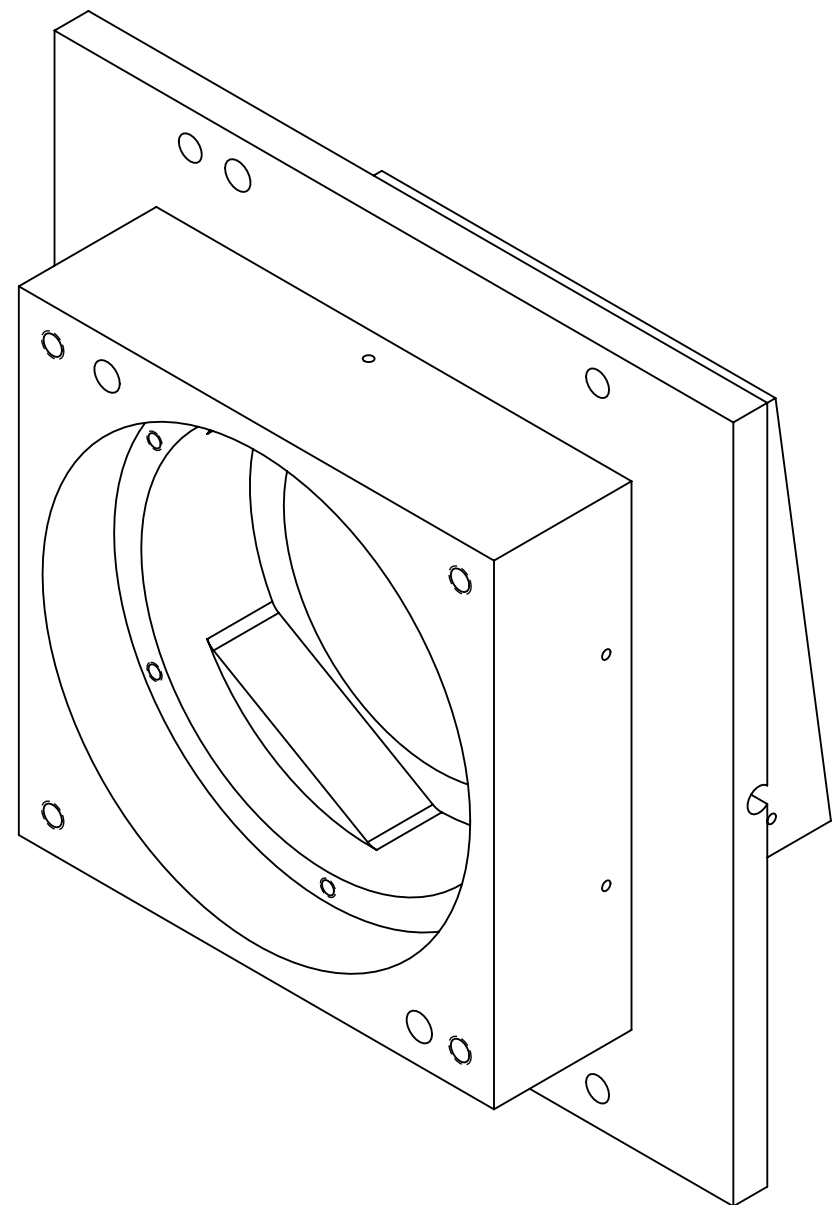
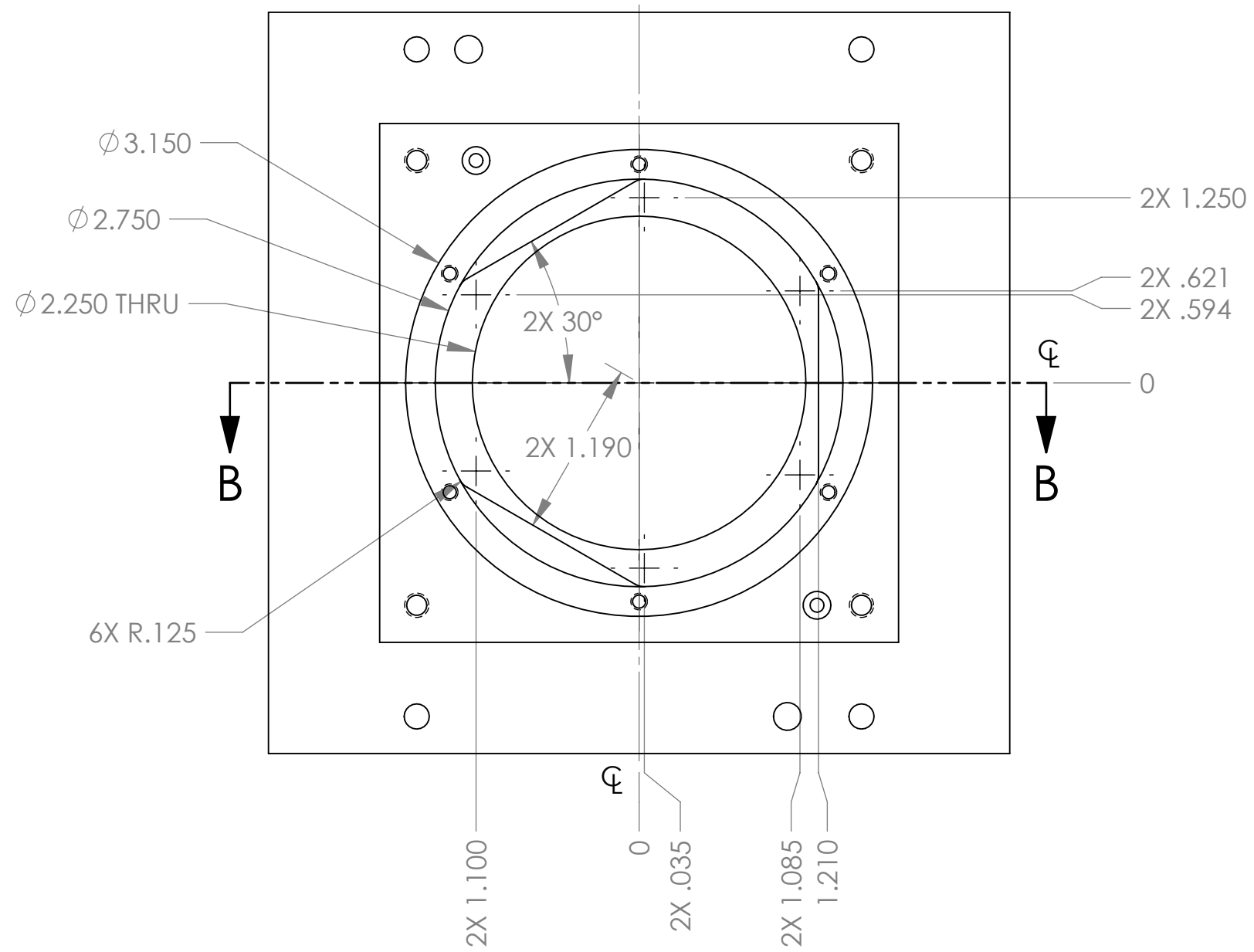


6 5 4 3 2 1

D
C
B
A



UNLESS OTHERWISE SPECIFIED DIMENSIONS ARE IN INCHES, REMOVE BURRS AND BREAK SHARP EDGES 0.005-0.010				TRIPLESPEC		Cornell University Center for Radiophysics and Space Research - Ithaca, NY 14853	
TOLERANCES: .XX±.010 .XXX±.005 ANGLES ±0.5° UNLESS NOTED, ALL SURFACES 64 UNLESS NOTED		NAME:	INIT.	DATE:	TITLE:	LENS2 MOUNT PAL	
MATERIAL: 6061-T6 ALUM QTY: 2		DRAWN: SCP	SC	02/09/07	SIZE: B	DRAWING #	REV 0
		CHECKED: JCW	JCW	02/12/07	SCALE: 1:1	DATE: 2/12/2007	SHEET 2 OF 2
		APPROVED:					
		FABRICATED:					
FILE: TRDSV10-lens2-mount-pal							

6 5 4 3 2 1